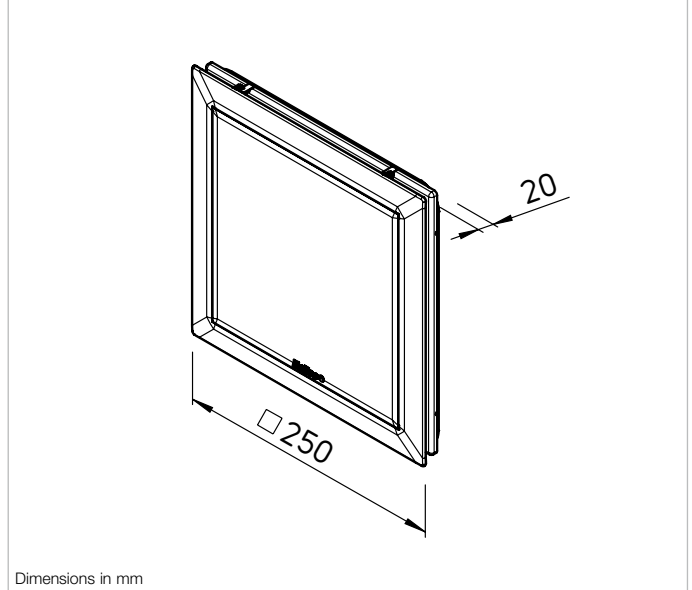


ELS NFC and ELS NFC black



Dim. Inner panel ELS NFC and ELS NFC black



ELS NFC is the innovative mono tube ventilation system for the ventilation of sanitary rooms, bathrooms and WCs. Five models with features such as timer, presence detector, automatic humidity control, as well as CO₂ and VOC sensors meet a wide range of requirements. Thanks to NFC technology, flow rates, settings and parameters can be flexibly configured without power, either in the packaging or on-site after installation – intuitively via the Helios ELS App.

- operation. The startup delay and overrun time can be conveniently adjusted via the App.
- Suitable for use in Zone 1 of wet rooms according to the German standard DIN VDE 0100-701.
- Design inner facade available in white or black.
- Standard with optical filter cleaning indicator and dishwasher-safe permanent filter.
- Tool-free insertion mounting with simultaneous electrical contact closure for easy and quick installation.

for basic ventilation and interval operation, including startup delay and overrun – individually configurable.

■ ELS NFC F
With automatic humidity control

Like ELS NFC, but with automatic humidity control, configurable via the App. Intelligent algorithms detect the intensity of the humidity increase, allowing the fan to respond early and continuously.

■ ELS NFC P
With presence function

Like ELS NFC, but with a presence detector. It automatically adjusts the ventilation operation to the room usage, ensuring demand-based, regulation-compliant ventilation.

Parameters are adjustable via the App.

■ ELS NFC VOC
With VOC sensor

Like ELS NFC, but with an integrated VOC sensor, configurable via the app. It detects odours from various sources and adjusts the fan's performance demand-based and continuously.

■ ELS NFC CO₂
With CO₂ sensor

Like ELS NFC, but with an integrated CO₂ sensor, configurable via the app. It automatically adjusts the ventilation intensity to the air quality in the room – ensuring optimal air conditions with minimal energy consumption.

Description for all types

- The ELS NFC with EC technology offers 5 programmable ventilation stages, including optional basic ventilation and configurable interval

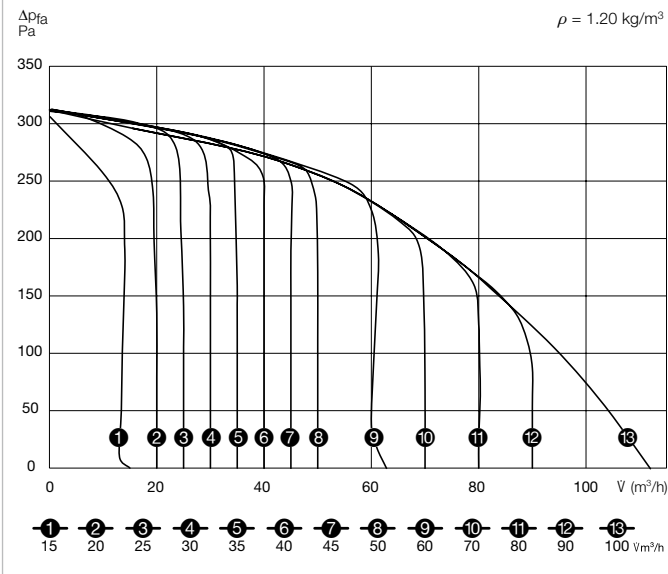
The models

- ELS NFC
With overrun & interval
Standard with 3 performance levels, plus 2 additional ventilation stages

Technical data	With overrun and interval operation			With automatic humidity control		With presence detector		With VOC sensor		With CO ₂ sensor				
	Type	Ref. no.		Type	Ref. no.	Type	Ref. no.	Type	Ref. no.	Type	Ref. no.			
Inner panel white	ELS NFC	40761		ELS NFC F	40762	ELS NFC P	40763	ELS NFC VOC	40764	ELS NFC CO ₂	40765			
Inner panel black	ELS NFC black	40781		ELS NFC F black	40782	ELS NFC P black	40783	ELS NFC VOC black	40784	ELS NFC CO ₂ black	40785			
		①	②	③	④	⑤	⑥	⑦	⑧	⑨	⑩	⑪	⑫	⑬
Configurable flow rates Level 1, 2 and 3 m ³ /h		15	20	25	30	35	40	45	50	60	70	80	90	100
Power consumption W		3.5	3.6	3.7	3.8	4.0	4.4	4.9	5.4	6.0	7.3	9.6	12.0	15.0
Nominal current (unregulated) A		0.022	0.023	0.024	0.026	0.028	0.033	0.036	0.039	0.045	0.056	0.070	0.090	0.110
Nominal speed		560	600	660	720	780	840	900	980	1080	1260	1440	1620	1800
Sound pressure dB(A)* (flush-m.)		21	23	24	25	26	28	30	32	35	39	42	44	47
Sound power L _{WA} dB(A) (flush-m.)		25	27	28	29	30	32	34	36	39	43	46	48	51
Configurable flow rates Basic ventilation m ³ /h		0 / 7,5 / 15 / 20 / 25 / 30 / 35 / 40 / 45 / 50 / 60 / 70 / 80 / 90 / 100												
Configurable flow rates Interval operation m ³ /h		0 / 15 / 20 / 25 / 30 / 35 / 40 / 45 / 50 / 60 / 70 / 80 / 90 / 100												
Startup delay		0–120 sec. (individually adjustable for each stage)												
Overrun		0–90 min. (individually adjustable for each stage)												
Interval times		0–24 hrs												
Voltage/Frequency		1~, 230 V, 50/60 Hz												
Connection DN mm		78												
Protection type		IPX5												
Electrical connection		NYM-0, 5 x 1.5 mm ²												
Connection - wiring diagram no.		1543												
Weight approx. kg		1.69												

* at AL = 10 m² equivalent absorption area

Performance curves ELS NFC and ELS NFC black



Ready? Easy!

ELS can be precisely tailored to individual requirements – anytime and anywhere. No need to unpack the unit or connect it to power or the internet: simply hold your smartphone near the unit, and everything is done in no time. The video demonstrates just how quick and easy it is.



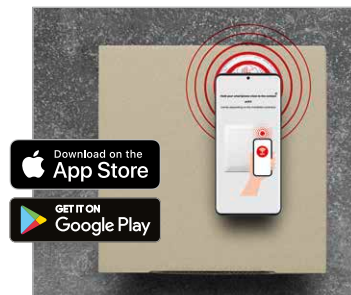
Helios ELS APP

Flow rates, startup delay, overrun and interval times can be programmed in seconds using the App. Humidity and presence settings, as well as VOC and CO₂ parameters, can also be configured individually.



Everything at a glance

The App also features a time-saving ELS library, allowing frequently used settings to be saved, shared and quickly transferred to other devices. The status overview displays the current operating state, and if needed, Helios Support can be contacted directly.



Switching without rethinking

ELS NFC is fully backward compatible and fits into all available housing variants. No changes are required for accessories either. This is great news for those who are familiar with and appreciate the flexible capabilities of the universal housing ELS-GU.



For all types

Factory settings and adjustable values of ELS NFC, ELS NFC F, ELS NFC P, ELS NFC CO₂ and ELS NFC VOC

Flow rates	Adjustable: 15/20/25/30/35/40/45/50/60/70/80/90/100 m³/h and 7.5 m³/h as interval operation in 'basic ventilation' level
	Factory setting:
Flow rate Level 1	35 m³/h
Flow rate Level 2	60 m³/h
Flow rate Level 3	100 m³/h
Flow rate Basic ventilation	0 m³/h
Flow rate Interval operation	0 m³/h
Startup delay	Startup delay per level from 0 to 120 sec. adjustable in steps of 5
	Factory setting:
Startup delay Level 1	45 sec.
Startup delay Level 2	45 sec.
Startup delay Level 3	45 sec.
Overrun time	0 to 90 min. per level selectable to the minute
	Factory setting:
Overrun time Level 1	15 min.
Overrun time Level 2	15 min.
Overrun time Level 3	15 min.
Interval times	Interval runtime in minutes (steps of 5) and pause time per hour separately adjustable
	Factory setting:
Interval runtime	0 min.
Interval pause time	0 hrs

For sensors

Factory settings and adjustable sensor values

ELS NFC F with humidity control		
	Adjustable:	Factory setting:
Threshold value relative humidity	40 – 90 %	60 %
Maximum value relative humidity	40 – 90 %	90 %
Max. flow rate relative humidity	15 – 100 m³/h	60 m³/h
Mode	Comfort / Intensive	Comfort
ELS NFC P with presence detector		
	Adjustable:	Factory setting:
Overrun time P-sensor	0 – 90 min.	15 min.
Max. flow rate P-sensor	15 – 100 m³/h	60 m³/h
ELS NFC CO ₂ with CO ₂ sensor		
	Adjustable:	Factory setting:
Threshold value CO ₂	400 – 3000 ppm	800 ppm
Maximum value CO ₂	400 – 3000 ppm	1400 ppm
Max. flow rate CO ₂	15 – 100 m³/h	60 m³/h
ELS NFC VOC with VOC sensor		
	Adjustable:	Factory setting:
Threshold value VOC	100 – 450 VOC	100 VOC
Maximum value VOC	100 – 450 VOC	250 VOC
Max. flow rate VOC	15 – 100 m³/h	60 m³/h

Accessory details	Page
Housing	28 ff.
Accessories	38 ff.