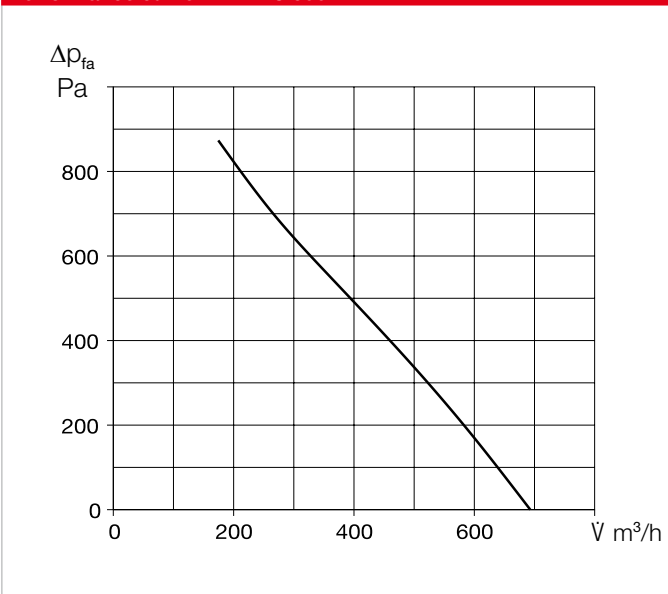


**AIR1 XC 500**



**Performance curve AIR1 XC 500**



**Unit type**

	<b>AIR1 XC 500 L</b>	<b>AIR1 XC 500 R</b>
Ref. no.	04330	40115
Heat exchanger	Cross-counterflow	Cross-counterflow

**Technical data**

**Mechanical data**

Area of application	Inside
Installation position	Ceiling
Maintenance access	Side and underside
Min. air volume	170 m <sup>3</sup> /h
Max. air volume ERP	570 m <sup>3</sup> /h <sup>(1)</sup>
Max. air volume (free blowing)	690 m <sup>3</sup> /h
Weight, unit operational	130 kg
Housing class (DIN 1886)	T2 / TB2 / D2
Filter Outside air	ISO ePM <sub>1</sub> , 55% (F7) <sup>(2)</sup>
Filter Extract air	ISO ePM <sub>10</sub> 50% (M5) <sup>(2)</sup>
Media temperature (air)	-20 to +50 °C
Ambient temperature (operation)	0 to +50 °C
Protection class	IP31

**Electrical data**

Central building control system	BACnet, Modbus TCP/IP
Voltage / Frequency	230 V 1N ~, 50 Hz
Max. output Fans	2 x 170 W
Max. output Elec. pre-heater	1,600 W
Nominal current	
– Ventilation unit	10.3 A <sup>(3)</sup>
– Electrical auxiliary heater	7 A <sup>(4)</sup>
– max. total	17.3 A
Connection (wiring diagram no.)	1312

(1) = at 200 Pa external pressure loss ERP-compliant

(2) = Other filter classes see optional accessories

(3) = includes electrical pre-heater

(4) = Optional accessory

**Sound data**

**Sound power level L<sub>WA</sub> dB(A) at 200 Pa external pressure**

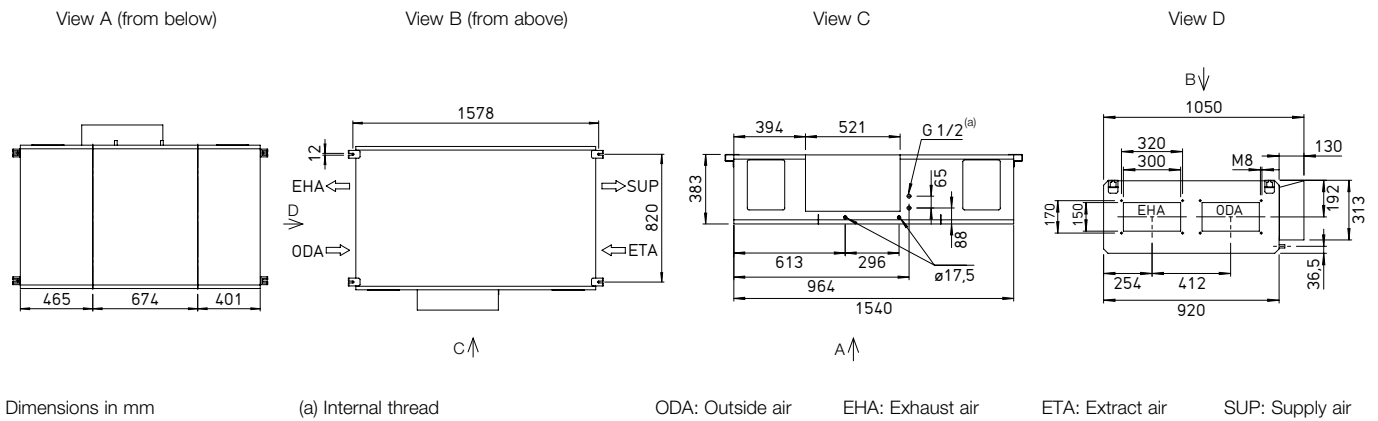
	200 m <sup>3</sup> /h	400 m <sup>3</sup> /h	570 m <sup>3</sup> /h
Supply air (L <sub>WA</sub> )	68	73	78
Extract air (L <sub>WA</sub> )	56	57	61
Outside air (L <sub>WA</sub> )	56	58	62
Exhaust air (L <sub>WA</sub> )	67	71	76

**Sound pressure level L<sub>pA</sub> dB(A) of sound radiated from housing**

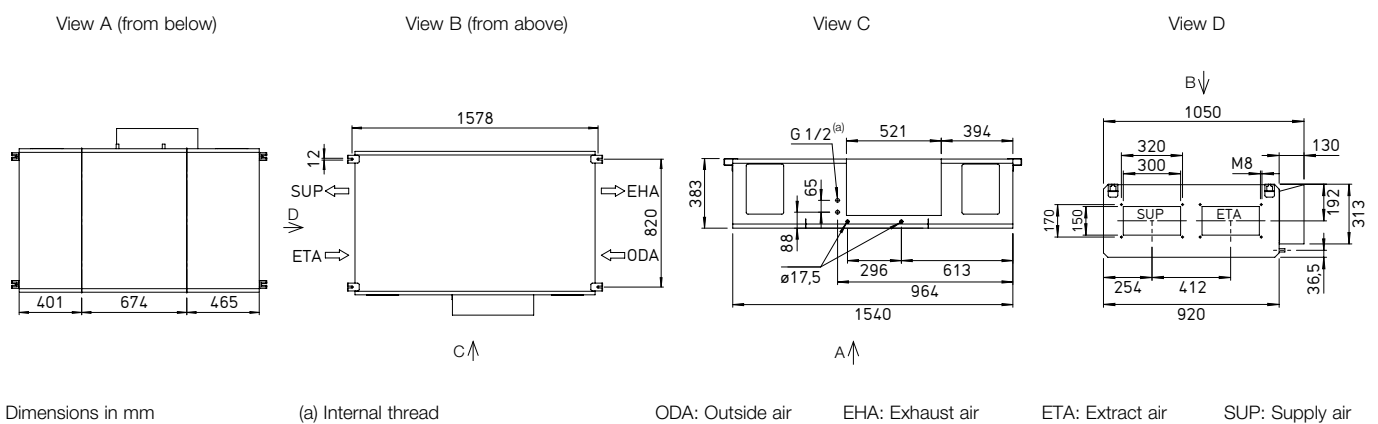
	200 m <sup>3</sup> /h	400 m <sup>3</sup> /h	570 m <sup>3</sup> /h
Housing rad. 1 m	35	38	42
Housing rad. 3 m	26	28	33
Housing rad. 5 m	21	24	28

The sound power at the connectors is calculated for the simultaneous operation of both fans. The sound pressure level is determined for the simultaneous operation of both fans at distances of 1.3 and 5 m.

**Dimensions AIR1 XC 500 L**



**Dimensions AIR1 XC 500 R**



**Accessories**

**Heating and cooling registers**

**Auxiliary heater**

<b>AIR1-ENH XC 500</b> Electrical, internal	Ref. no. 03558	Page 30
<b>AIR1-NH WW XC 500 L</b> Hot water, internal	Ref. no. 02490	Page 30
<b>AIR1-NH WW XC 500 R</b> Hot water, internal	Ref. no. 40120	Page 30
<b>Hydraulic unit for hot water heating register</b>		
<b>WHS HE 24 V (0 – 10 V)</b>	Ref. no. 08318	Page 30
<b>Cooling register</b>		
<b>AIR1-KR KW XC 500 L</b> Cold water, external	Ref. no. 04185	Page 31
<b>AIR1-KR KW XC 500 R</b> Cold water, external	Ref. no. 40125	Page 31
<b>AIR1-CO DX XC 500 L</b> Change-over, external	Ref. no. 40364	Page 32
<b>AIR1-CO DX XC 500 R</b> Change-over, external	Ref. no. 40369	Page 32
<b>AIR1-SM DX (1)</b> Control module	Ref. no. 40408	Page 33

**Air routing**

**Multi-leaf dampers**

<b>AIR1-JVK XC 500</b>	Ref. no. 05421	Page 33
<b>Flexible connector</b>		
<b>AIR1-VS 30/15</b>	Ref. no. 07400	Page 34
<b>Adapter square-round</b>		
<b>AIR1-ÜS XC 500</b>	Ref. no. 04361	Page 34

**Condensate drainage**

**Condensate pump**

<b>AIR1-KP XC 500-1400</b>	Ref. no. 06867	Page 35
<b>Ball siphon</b>		
<b>AIR1-KS D</b> for use with ceiling mounted units and cooling register	Ref. no. 07170	Page 35

**Controls**

**Controllers**

<b>AIR1-BE ECO</b>	Ref. no. 06186	Page 35
<b>AIR1-BE TOUCH</b>	Ref. no. 06187	Page 36

**Controller connection cable**

<b>AIR1-SL 4/10</b> 10 m	Ref. no. 07073	Page 36
<b>AIR1-SL 4/20</b> 20 m	Ref. no. 07121	Page 36

**Sensors**

<b>AIR1/KWL-VOC 0-10V</b> Mixed gas sensor	Ref. no. 20250	Page 36
<b>AIR1/KWL-CO2 0-10V</b> Carbon dioxide sensor	Ref. no. 20251	Page 36
<b>AIR1/KWL-FTF 0-10V</b> Humidity-temperature sensor	Ref. no. 20252	Page 36
<b>AIR1-CO2 K</b> Carbon dioxide sensor duct	Ref. no. 07124	Page 36

**Signal converter for sensors**

<b>AIR1-SK</b>	Ref. no. 06019	Page 37
----------------	----------------	---------

**Extension kit for constant pressure control**

<b>AIR1-CAP</b>	Ref. no. 06756	Page 36
-----------------	----------------	---------

**Air filters**

**Spare air filter and other filter classes**

<b>ELF-AIR1 XC 500/ePM10 50%/96 (M5)</b>	Ref. no. 02171	Page 37
<b>ELF-AIR1 XC 500/ePM1 55%/96 (F7)</b>	Ref. no. 02221	Page 37
<b>ELF-AIR1 XC 500/ePM1 80%/96 (F9)</b>	Ref. no. 02272	Page 37

The use of original spare air filters is mandatory to guarantee the specified technical data and air volumes.

(1) = Necessary accessory in connection with an AIR1-CO DX change-over register for connecting an AIR1 ventilation unit of the XC, XH and RH series to the control of an on-site cooling system.