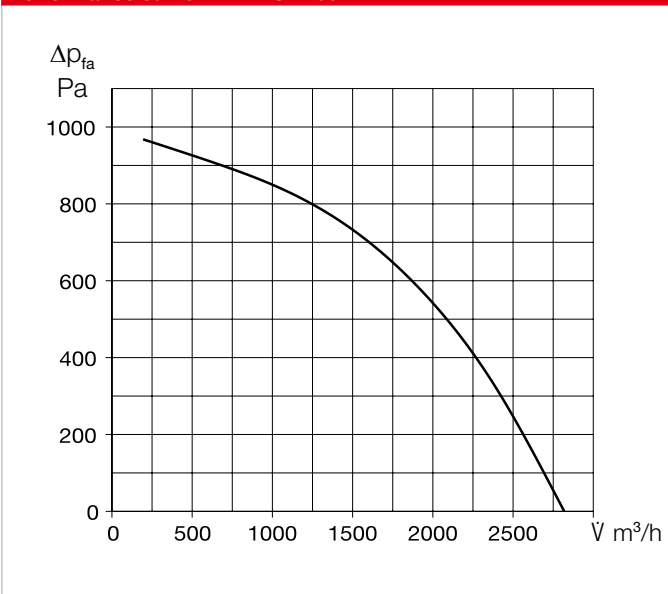


AIR1 XC 2200



Performance curve AIR1 XC 2200



Unit type

	AIR1 XC 2200 L	AIR1 XC 2200 R
Ref. no.	04333	40118
Heat exchanger	Cross-counterflow	Cross-counterflow

Technical data

Mechanical data	
Area of application	Inside
Installation position	Ceiling
Maintenance access	Side and underside
Min. air volume	410 m ³ /h
Max. air volume ERP	2,350 m ³ /h ⁽¹⁾
Max. air volume (free blowing)	2,800 m ³ /h
Weight, unit operational	285 kg
Housing class (DIN 1886)	T2 / TB2 / D2
Filter Outside air	ISO ePM, 55% (F7) ⁽²⁾
Filter Extract air	ISO ePM ₁₀ 50% (M5) ⁽²⁾
Media temperature (air)	-20 to +40 °C
Ambient temperature (operation)	0 to +40 °C
Protection class	IP31
Electrical data	
Central building control system	BACnet, Modbus TCP/IP
Voltage / Frequency	400 V 3N ~, 50 Hz
Max. output Fans	2 x 780 W
Max. output Elec. pre-heater	7,050 W
Nominal current	
– Ventilation unit	13.6 / 13.6 / 10.5 A ⁽³⁾
– Electrical auxiliary heater	10.2 / 10.2 / 10.2 A ⁽⁴⁾
– max. total	23.8 / 23.8 / 20.7 A
Connection (wiring diagram no.)	1315

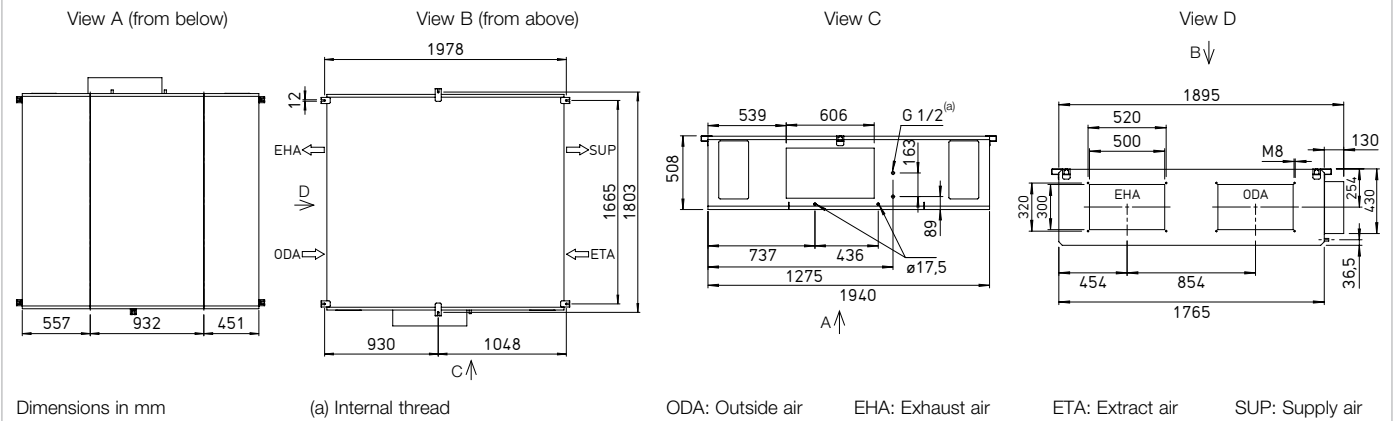
(1) = at 200 Pa external pressure loss ERP-compliant
 (2) = Other filter classes see optional accessories
 (3) = includes electrical pre-heater
 (4) = Optional accessory

Sound data

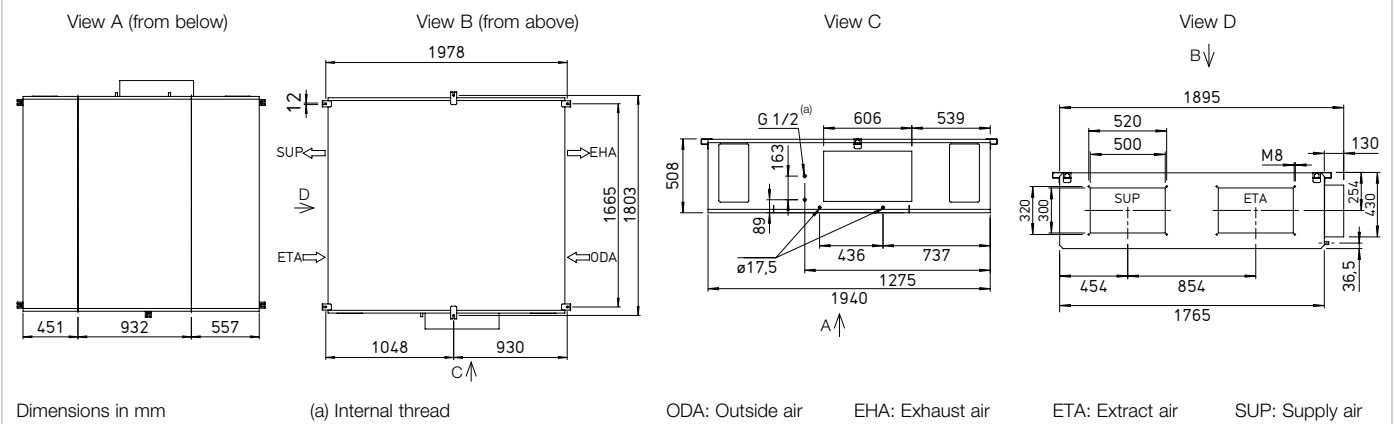
Sound power level L_{WA} dB(A) at 250 Pa external pressure			
	700 m ³ /h	1,500 m ³ /h	2,350 m ³ /h
Supply air (L _{WA})	70	75	82
Extract air (L _{WA})	57	59	67
Outside air (L _{WA})	57	59	67
Exhaust air (L _{WA})	69	73	81
Sound pressure level L_{pA} dB(A) of sound radiated from housing			
	700 m ³ /h	1,500 m ³ /h	2,350 m ³ /h
Housing rad. 1 m	40	41	48
Housing rad. 3 m	30	31	39
Housing rad. 5 m	26	27	34

The sound power at the connectors is calculated for the simultaneous operation of both fans. The sound pressure level is determined for the simultaneous operation of both fans at distances of 1.3 and 5 m.

Dimensions AIR1 XC 2200 L



Dimensions AIR1 XC 2200 R



Accessories

Heating and cooling registers

Auxiliary heater

AIR1-ENH XC 2200 Electrical, internal	Ref. no. 03575	Page 30
---	----------------	---------

AIR1-NH WW XC 2200 L Hot water, internal	Ref. no. 03662	Page 30
--	----------------	---------

AIR1-NH WW XC 2200 R Hot water, internal	Ref. no. 40123	Page 30
--	----------------	---------

Hydraulic unit for hot water heating register

WHS H HE 24 V (0 – 10 V)	Ref. no. 08318	Page 30
---------------------------------	----------------	---------

Cooling register

AIR1-KR KW XC 2200 L Cold water, external	Ref. no. 04188	Page 31
---	----------------	---------

AIR1-KR KW XC 2200 R Cold water, external	Ref. no. 40128	Page 31
---	----------------	---------

AIR1-CO DX XC 2200 L Change-over, external	Ref. no. 40367	Page 32
--	----------------	---------

AIR1-CO DX XC 2200 R Change-over, external	Ref. no. 40372	Page 32
--	----------------	---------

AIR1-SM DX ⁽¹⁾ Control module	Ref. no. 40408	Page 33
--	----------------	---------

Air routing

Multi-leaf dampers

AIR1-JVK XC 2200/XVP 2500	Ref. no. 06000	Page 33
----------------------------------	----------------	---------

Flexible connector

AIR1-VS 50/30	Ref. no. 07407	Page 34
----------------------	----------------	---------

Adapter square-round

AIR1-ÜS XC 2200/XVP 2500	Ref. no. 04364	Page 34
---------------------------------	----------------	---------

Condensate drainage

Condensate pump

AIR1-KP XC 2200-3200	Ref. no. 06868	Page 35
-----------------------------	----------------	---------

Ball siphon

AIR1-KS D for use with ceiling mounted units and cooling register	Ref. no. 07170	Page 35
---	----------------	---------

Controls

Controllers

AIR1-BE ECO	Ref. no. 06186	Page 35
--------------------	----------------	---------

AIR1-BE TOUCH	Ref. no. 06187	Page 36
----------------------	----------------	---------

Controller connection cable

AIR1-SL 4/10 10 m	Ref. no. 07073	Page 36
--------------------------	----------------	---------

AIR1-SL 4/20 20 m	Ref. no. 07121	Page 36
--------------------------	----------------	---------

Sensors

AIR1/KWL-VOC 0-10V Mixed gas sensor	Ref. no. 20250	Page 36
--	----------------	---------

AIR1/KWL-CO2 0-10V Carbon dioxide sensor	Ref. no. 20251	Page 36
---	----------------	---------

AIR1/KWL-FTF 0-10V Humidity-temperature sensor	Ref. no. 20252	Page 36
---	----------------	---------

AIR1-CO2 K Carbon dioxide sensor duct	Ref. no. 07124	Page 36
--	----------------	---------

Signal converter for sensors

AIR1-SK	Ref. no. 06019	Page 37
----------------	----------------	---------

Extension kit for constant pressure control

AIR1-CAP	Ref. no. 06756	Page 36
-----------------	----------------	---------

Air filters

Spare air filter and other filter classes

ELF-AIR1 XC 2200/ePM10 50%/96 (M5)	Ref. no. 02174	Page 37
---	----------------	---------

ELF-AIR1 XC 2200/ePM1 55%/96 (F7)	Ref. no. 02225	Page 37
--	----------------	---------

ELF-AIR1 XC 2200/ePM1 80%/96 (F9)	Ref. no. 02285	Page 37
--	----------------	---------

The use of original spare air filters is mandatory to guarantee the specified technical data and air volumes.

(1) = Necessary accessory in connection with an AIR1-CO DX change-over register for connecting an AIR1 ventilation unit of the XC, XH and RH series to the control of an on-site cooling system.