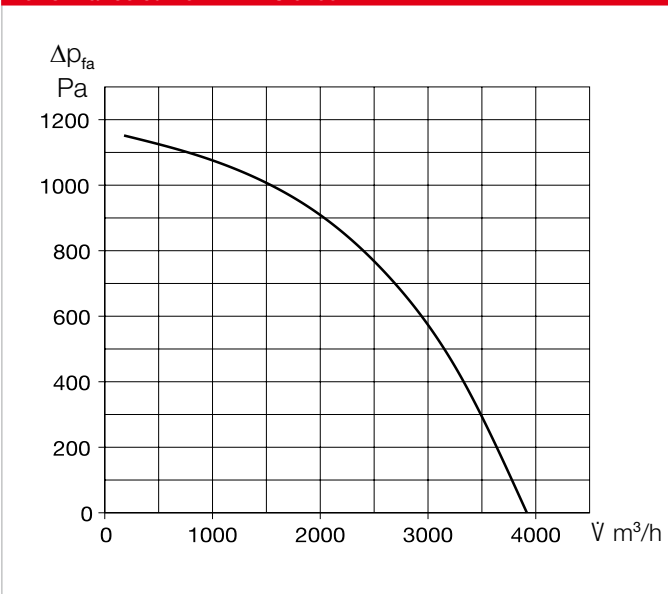


**AIR1 XC 3200**



**Performance curve AIR1 XC 3200**



**Unit type**

	<b>AIR1 XC 3200 L</b>	<b>AIR1 XC 3200 R</b>
Ref. no.	04334	40119
Heat exchanger	Cross-counterflow	Cross-counterflow

**Technical data**

<b>Mechanical data</b>	
Area of application	Inside
Installation position	Ceiling
Maintenance access	Side and underside
Min. air volume	520 m <sup>3</sup> /h
Max. air volume ERP	3,100 m <sup>3</sup> /h <sup>(1)</sup>
Max. air volume (free blowing)	3,850 m <sup>3</sup> /h
Weight, unit operational	370 kg
Housing class (DIN 1886)	T2 / TB2 / D2
Filter Outside air	ISO ePM <sub>1</sub> , 55% (F7) <sup>(2)</sup>
Filter Extract air	ISO ePM <sub>10</sub> 50% (M5) <sup>(2)</sup>
Media temperature (air)	-20 to +45 °C
Ambient temperature (operation)	0 to +45 °C
Protection class	IP31
<b>Electrical data</b>	
Central building control system	BACnet, Modbus TCP/IP
Voltage / Frequency	400 V 3N ~, 50 Hz
Max. output Fans	2 x 1,300 W
Max. output Elec. pre-heater	10,500 W
Nominal current	
– Ventilation unit	20.9 / 20.9 / 15.5 A <sup>(3)</sup>
– Electrical auxiliary heater	15.2 / 15.1 / 15.1 A <sup>(4)</sup>
– max. total	36.1 / 36 / 30.6 A
Connection (wiring diagram no.)	1316

(1) = at 200 Pa external pressure loss ERP-compliant

(2) = Other filter classes see optional accessories

(3) = includes electrical pre-heater

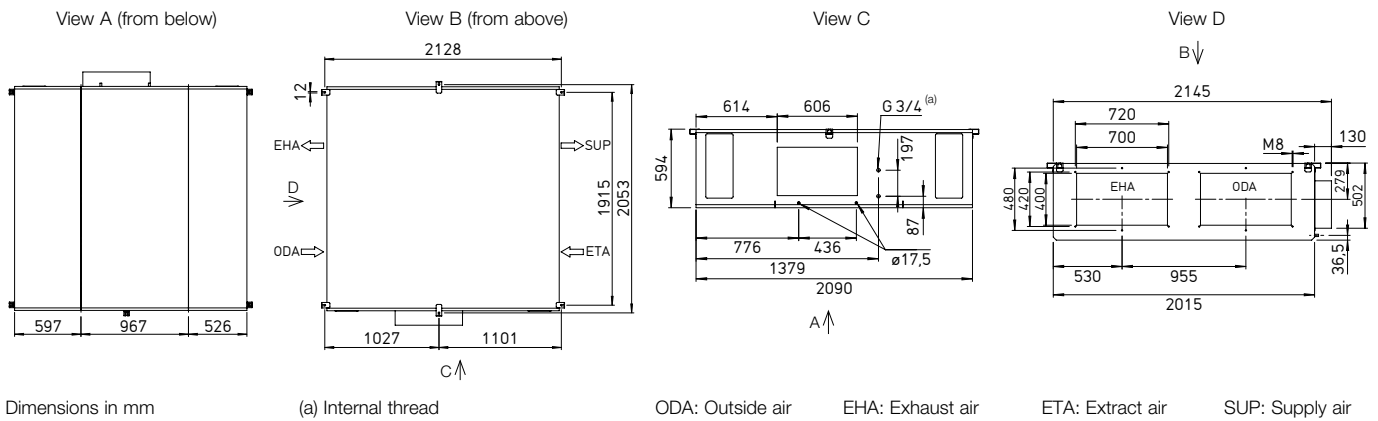
(4) = Optional accessory

**Sound data**

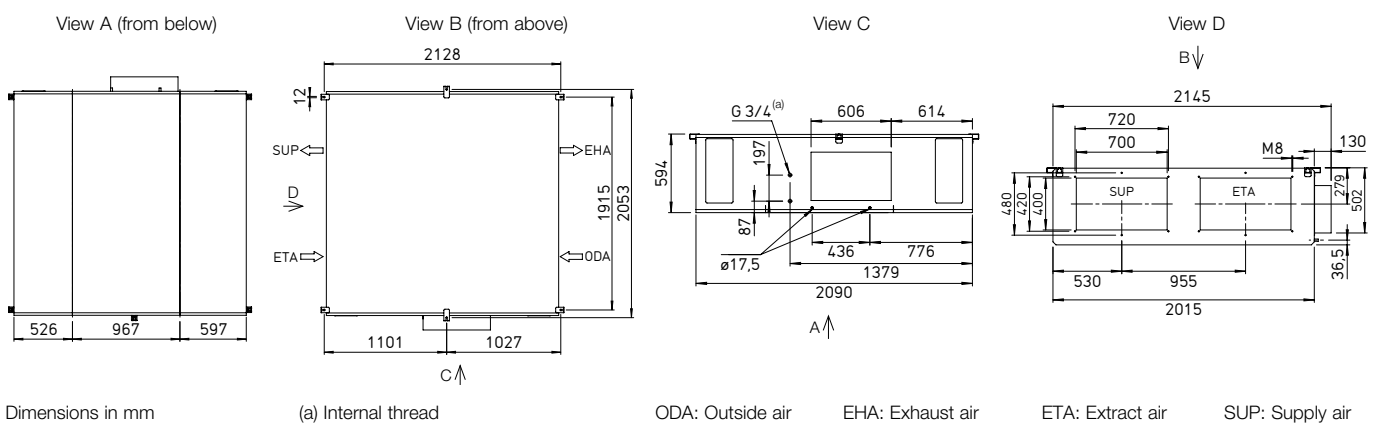
<b>Sound power level L<sub>WA</sub> dB(A) at 250 Pa external pressure</b>			
	1,000 m <sup>3</sup> /h	2,200 m <sup>3</sup> /h	3,100 m <sup>3</sup> /h
Supply air (L <sub>WA</sub> )	71	79	86
Extract air (L <sub>WA</sub> )	57	64	71
Outside air (L <sub>WA</sub> )	57	64	71
Exhaust air (L <sub>WA</sub> )	70	77	85
<b>Sound pressure level L<sub>pA</sub> dB(A) of sound radiated from housing</b>			
	1,000 m <sup>3</sup> /h	2,200 m <sup>3</sup> /h	3,100 m <sup>3</sup> /h
Housing rad. 1 m	40	46	53
Housing rad. 3 m	30	37	43
Housing rad. 5 m	26	32	39

The sound power at the connectors is calculated for the simultaneous operation of both fans. The sound pressure level is determined for the simultaneous operation of both fans at distances of 1.3 and 5 m.

**Dimensions AIR1 XC 3200 L**



**Dimensions AIR1 XC 3200 R**



**Accessories**

**Heating and cooling registers**

**Auxiliary heater**

<b>AIR1-ENH XC 3200</b> Electrical, internal	Ref. no. 02489	Page 30
<b>AIR1-NH WW XC 3200 L</b> Hot water, internal	Ref. no. 03663	Page 30
<b>AIR1-NH WW XC 3200 R</b> Hot water, internal	Ref. no. 40124	Page 30

**Hydraulic unit for hot water heating register**

<b>WHS H HE 24 V (0 – 10 V)</b>	Ref. no. 08318	Page 30
---------------------------------	----------------	---------

**Cooling register**

<b>AIR1-KR KW XC 3200 L</b> Cold water, external	Ref. no. 04190	Page 31
<b>AIR1-KR KW XC 3200 R</b> Cold water, external	Ref. no. 40129	Page 31
<b>AIR1-CO DX XC 3200 L</b> Change-over, external	Ref. no. 40368	Page 32
<b>AIR1-CO DX XC 3200 R</b> Change-over, external	Ref. no. 40373	Page 32

**AIR1-SM DX (1)**

Control module	Ref. no. 40408	Page 33
----------------	----------------	---------

**Air routing**

**Multi-leaf dampers**

<b>AIR1-JVK XC 3200/XVP 3500</b>	Ref. no. 06003	Page 33
----------------------------------	----------------	---------

**Flexible connector**

<b>AIR1-VS 70/40</b>	Ref. no. 07408	Page 34
----------------------	----------------	---------

**Adapter square-round**

<b>AIR1-ÜS XC 3200/XVP 3500</b>	Ref. no. 04365	Page 34
---------------------------------	----------------	---------

**Condensate drainage**

**Condensate pump**

<b>AIR1-KP XC 2200-3200</b>	Ref. no. 06868	Page 35
-----------------------------	----------------	---------

**Ball siphon**

<b>AIR1-KS D</b> for use with ceiling mounted units and cooling register	Ref. no. 07170	Page 35
---	----------------	---------

**Controls**

**Controllers**

<b>AIR1-BE ECO</b>	Ref. no. 06186	Page 35
<b>AIR1-BE TOUCH</b>	Ref. no. 06187	Page 36

**Controller connection cable**

<b>AIR1-SL 4/10</b> 10 m	Ref. no. 07073	Page 36
<b>AIR1-SL 4/20</b> 20 m	Ref. no. 07121	Page 36

**Sensors**

<b>AIR1/KWL-VOC 0-10V</b> Mixed gas sensor	Ref. no. 20250	Page 36
<b>AIR1/KWL-CO2 0-10V</b> Carbon dioxide sensor	Ref. no. 20251	Page 36
<b>AIR1/KWL-FTF 0-10V</b> Humidity-temperature sensor	Ref. no. 20252	Page 36
<b>AIR1-CO2 K</b> Carbon dioxide sensor duct	Ref. no. 07124	Page 36

**Signal converter for sensors**

<b>AIR1-SK</b>	Ref. no. 06019	Page 37
----------------	----------------	---------

**Extension kit for constant pressure control**

<b>AIR1-CAP</b>	Ref. no. 06756	Page 36
-----------------	----------------	---------

**Air filters**

**Spare air filter and other filter classes**

<b>ELF-AIR1 XC 3200/ePM10 50%/96 (M5)</b>	Ref. no. 02175	Page 37
<b>ELF-AIR1 XC 3200/ePM1 55%/96 (F7)</b>	Ref. no. 02226	Page 37
<b>ELF-AIR1 XC 3200/ePM1 80%/96 (F9)</b>	Ref. no. 02286	Page 37

The use of original spare air filters is mandatory to guarantee the specified technical data and air volumes.

(1) = Necessary accessory in connection with an AIR1-CO DX change-over register for connecting an AIR1 ventilation unit of the XC, XH and RH series to the control of an on-site cooling system.