

AIR1-KR KW XC



■ Cold water cooling register external

For demand-oriented temperature control (cooling) of supply air. Mounting directly to the supply air duct of the ventilation unit including fixing material is possible. Casing in robust panel construction, insulated on all sides with 50 mm mineral wool for the minimisation of heat losses. External corrosion-resistant coating of casing. Large inspection openings on both sides of unit for easy access and optimised cleaning and maintenance. Stainless steel condensate tray with condensate drain outlets. Recommended accessory: Ball siphon AIR1-KS D (Ref. no. 07170)

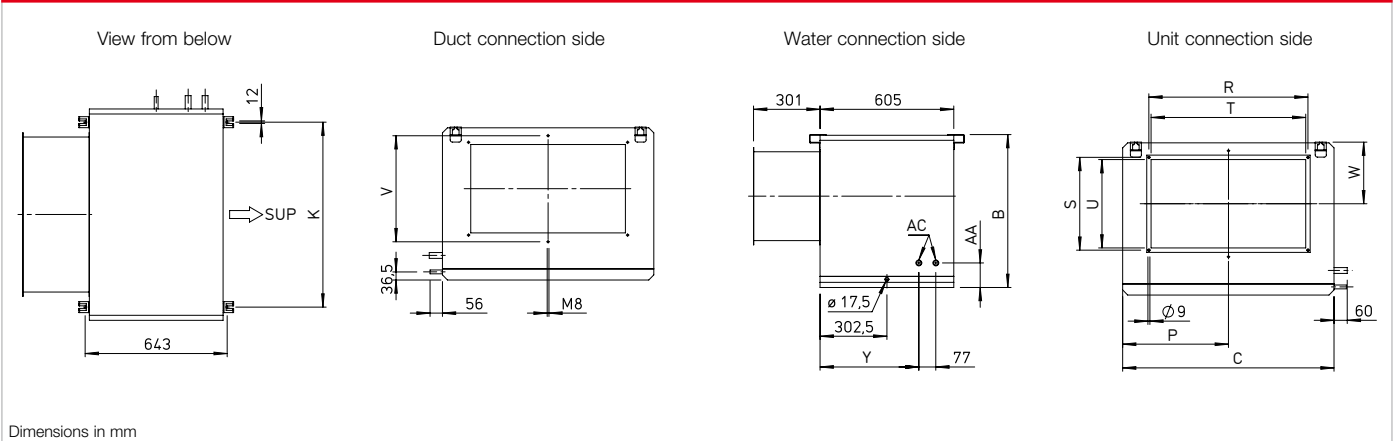
Detailed calculations / technical information: www.AIR1Select.com

■ Technical data

| Type | Ref. no. | Water content | Connection flow / return ⁽¹⁾ | Weight (without liquid) | Condensate connection |
|--------------------------|---------------|---------------|---|-------------------------|-----------------------|
| AIR1-KR KW XC 500 L / R | 04185 / 40125 | 1.2 l | G 1/2 | 24.0 kg | 17.5 mm |
| AIR1-KR KW XC 700 L / R | 04186 / 40126 | 1.3 l | G 1/2 | 37.0 kg | 17.5 mm |
| AIR1-KR KW XC 1400 L / R | 04187 / 40127 | 2.0 l | G 1/2 | 43.0 kg | 17.5 mm |
| AIR1-KR KW XC 2200 L / R | 04188 / 40128 | 3.2 l | G 3/4 | 63.0 kg | 17.5 mm |
| AIR1-KR KW XC 3200 L / R | 04190 / 40129 | 4.4 l | G 3/4 | 80.0 kg | 17.5 mm |

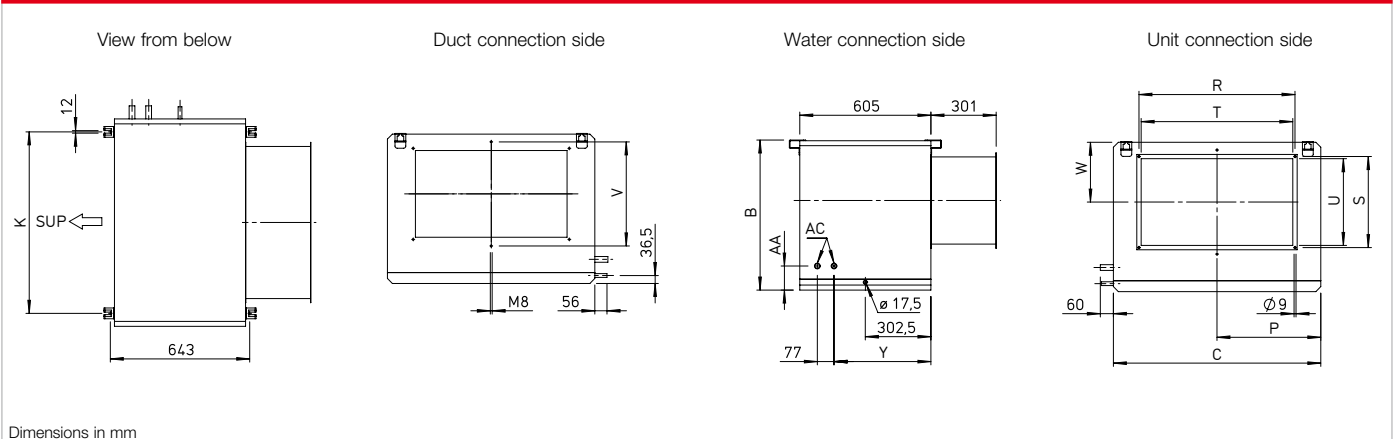
(1) External thread

Dimensions AIR1-KR KW XC L



Dimensions in mm

Dimensions AIR1-KR KW XC R



Dimensions in mm

■ Dimensions

| Type | Ref. no. | B | C | K | P | R | S | T | U | V | W | Y | AA | AC ⁽¹⁾ |
|--------------------------|---------------|-----|-----|-----|-----|-----|-----|-----|-----|-----|-----|-----|-----|-------------------|
| AIR1-KR KW XC 500 L / R | 04185 / 40125 | 437 | 437 | 317 | 234 | 320 | 170 | 300 | 150 | - | 192 | 467 | 96 | G 1/2 |
| AIR1-KR KW XC 700 L / R | 04186 / 40126 | 490 | 537 | 417 | 284 | 420 | 220 | 400 | 200 | - | 218 | 467 | 96 | G 1/2 |
| AIR1-KR KW XC 1400 L / R | 04187 / 40127 | 542 | 677 | 557 | 374 | 520 | 270 | 500 | 250 | - | 243 | 467 | 96 | G 1/2 |
| AIR1-KR KW XC 2200 L / R | 04188 / 40128 | 592 | 878 | 757 | 453 | 520 | 320 | 500 | 300 | - | 254 | 447 | 111 | G 3/4 |
| AIR1-KR KW XC 3200 L / R | 04190 / 40129 | 692 | 957 | 837 | 479 | 720 | 420 | 700 | 400 | 480 | 279 | 447 | 111 | G 3/4 |

(1) External thread