

AIR1-CO DX XC



Change-over cooling register

For temperature control (cooling/heating) of supply air. Suitable for use with common refrigerants (selection list, see www.AIR1 Select.com). Casing in robust panel construction, insulated on all sides with 50 mm mineral wool to minimise heat loss. External corrosion-resistant coating of casing. Stainless steel condensate tray with condensate drain outlets. Large inspection openings for easy access and optimised cleaning and maintenance. Condensate connection 17.5 mm.

Necessary accessories: AIR1-SM DX (Ref. no. 40408)

Recommended accessories: Ball siphon AIR1-KS D (Ref. no. 07170)

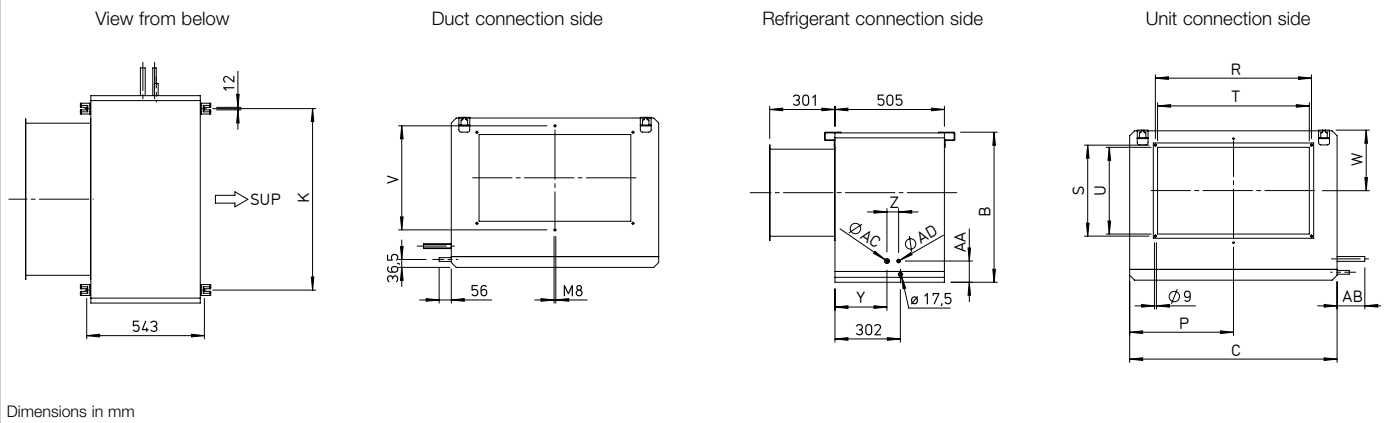
Detailed calculations / technical information: www.AIR1Select.com

Technical data

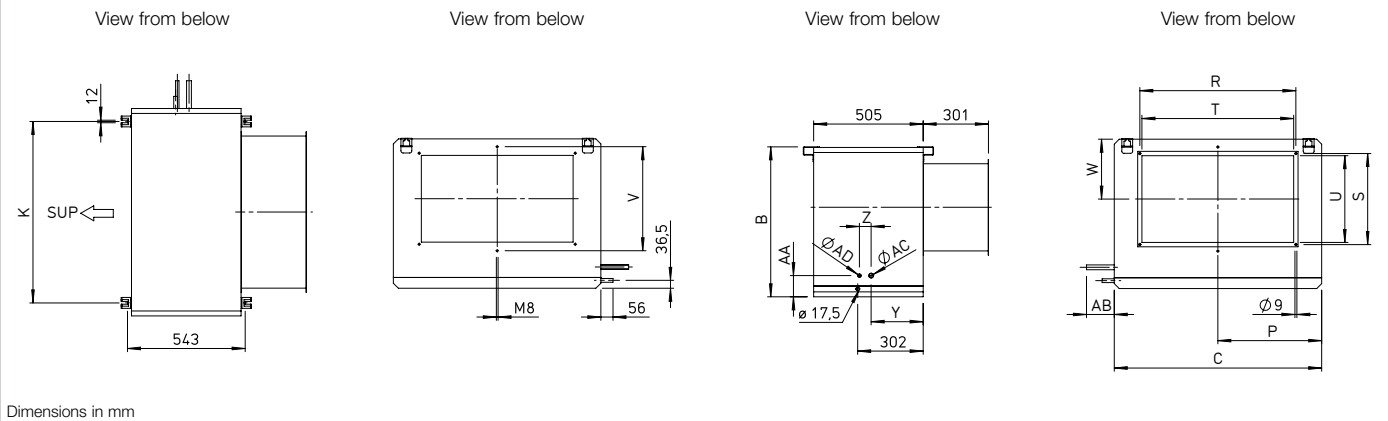
Type	Ref. no.	Filling capacity	Ø connection outlet/inlet ⁽¹⁾	Weight (without liquid)	Condensate connection
AIR1-CO DX XC 500 L / R	40364 / 40369	1.0 l	12 mm / 12 mm	23.0 kg	17.5 mm
AIR1-CO DX XC 700 L / R	40365 / 40370	1.1 l	12 mm / 12 mm	36.0 kg	17.5 mm
AIR1-CO DX XC 1400 L / R	40366 / 40371	1.8 l	19 mm / 12 mm	43.0 kg	17.5 mm
AIR1-CO DX XC 2200 L / R	40367 / 40372	2.7 l	19 mm / 12 mm	62.0 kg	17.5 mm
AIR1-CO DX XC 3200 L / R	40368 / 40373	3.7 l	22 mm / 16 mm	79.0 kg	17.5 mm

(1) inlet temperature and humidity: 30°C, 40% rH

Dimensions AIR1-CO DX XC L



Dimensions AIR1-CO DX XC R



Dimensions

Type	Ref. no.	B	C	K	P	R	S	T	U	V	W	Y	Z	AA	AB	AC	AD
AIR1-CO DX XC 500 L / R	40364 / 40369	437	437	317	234	320	170	300	150	–	192	230	60	85	106	12	9,5
AIR1-CO DX XC 700 L / R	40365 / 40370	490	537	417	284	420	220	400	200	–	218	240	49	89	141	12	9,5
AIR1-CO DX XC 1400 L / R	40366 / 40371	542	677	557	374	520	270	500	250	–	243	240	49	90	141	19	9,5
AIR1-CO DX XC 2200 L / R	40367 / 40372	592	878	757	453	520	320	500	300	–	254	240	54	98	128	19	12
AIR1-CO DX XC 3200 L / R	40368 / 40373	692	957	837	479	720	420	700	400	480	279	240	54	98	128	22	16