

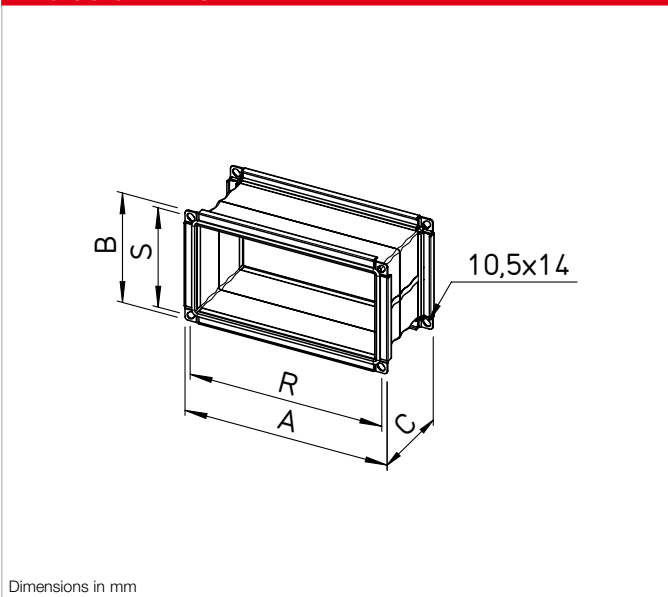
**AIR1-VS**



■ **Flexible connector**

Flexible connector (uninsulated), with flange connections on both sides, for mounting between the ventilation unit and duct system. Prevents structure-borne sound transmission and bridges mounting tolerances. Elastic fabric sleeve, operating temperature range from -10 °C to +80 °C.

**Dimensions AIR1-VS**



Dimensions in mm

■ **Dimensions**

XC units	Type	Ref. no.	A	B	C <sup>1)</sup>	R	S
AIR1-XC 500	AIR1-VS 30/15	07400	343	193	145	320	170
AIR1-XC 700	AIR1-VS 40/20	07403	443	243	145	420	220
AIR1-XC 1400	AIR1-VS 50/25	07404	543	293	145	520	270
AIR1-XC 2200	AIR1-VS 50/30	07407	543	343	145	520	320
AIR1-XC 3200	AIR1-VS 70/40	07408	743	443	145	720	420

<sup>1)</sup> max.

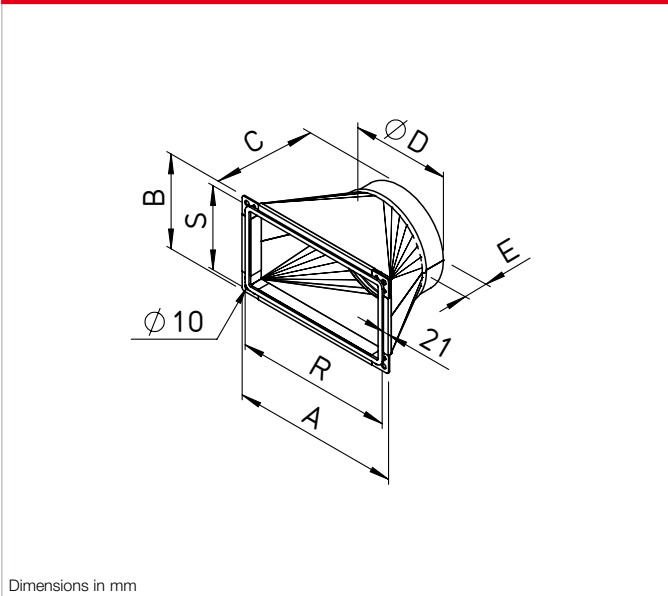
**AIR1-ÜS XC/XVP**



■ **Square-round adapter**

Symmetrical adapter for connecting the ventilation unit to round air ducts/duct systems. Made of galvanised steel sheet. The pressure loss of the adapter at maximum air volume is < 10 Pa on both the intake and discharge side.

**Dimensions AIR1-ÜS XC/XVP**



Dimensions in mm

■ **Dimensions**

Type	Ref. no.	A	B	C	ØD	E	R	S
AIR1-ÜS XC 500	04361	342	192	200	200	40	320	170
AIR1-ÜS XC 700	04362	442	242	200	250	60	420	220
AIR1-ÜS XC 1400	04363	542	292	250	315	60	520	270
AIR1-ÜS XC 2200/XVP 2500	04364	542	342	250	400	80	520	320
AIR1-ÜS XC 3200/XVP 3500	04365	742	442	300	450	80	720	420