

AIR1-CO DX XVP



Change-over cooling register

For temperature control (cooling/heating) of supply air. Suitable for use with common refrigerants (selection list, see www.AIR1Select.com). Casing in robust panel construction, insulated on all sides with 50 mm mineral wool to minimise heat loss. External corrosion-resistant coating of casing. Stainless steel condensate tray with condensate drain outlets. Large inspection openings for easy access and optimised cleaning and maintenance. Condensate connection 17.5 mm. Recommended accessories: Ball siphon AIR1-KS D (Ref. no. 07170)

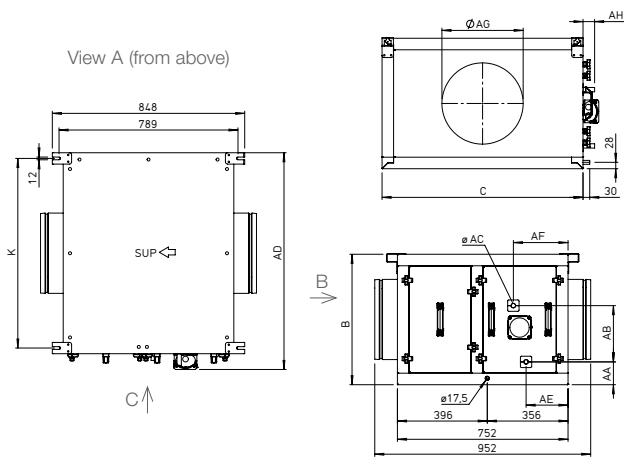
Detailed calculations / technical information: www.AIR1Select.com

Technical data

Type	Ref. no.	Filling capacity	Ø connection outlet/inlet	Weight (without liquid)	Condensate connection
AIR1-CO DX XVP 850 L / R	40478 / 40479	1.5 l	16 mm / 16 mm	on request	17.5 mm
AIR1-CO DX XVP 1250 L / R	40487 / 40488	2.2 l	19 mm / 19 mm	on request	17.5 mm
AIR1-CO DX XVP 1800 L / R	40494 / 40495	2.3 l	19 mm / 19 mm	on request	17.5 mm
AIR1-CO DX XVP 2500 L / R	40505 / 40506	3.0 l	22 mm / 22 mm	on request	17.5 mm
AIR1-CO DX XVP 3500 L / R	40512 / 40513	4.6 l	22 mm / 22 mm	on request	17.5 mm

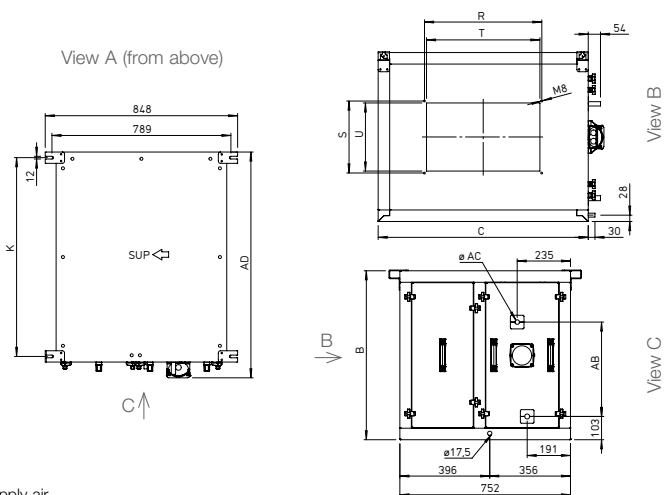
Dimensions AIR1-CO DX XVP L

AIR1-CO DX XVP 850-1800 L



Dimensions in mm

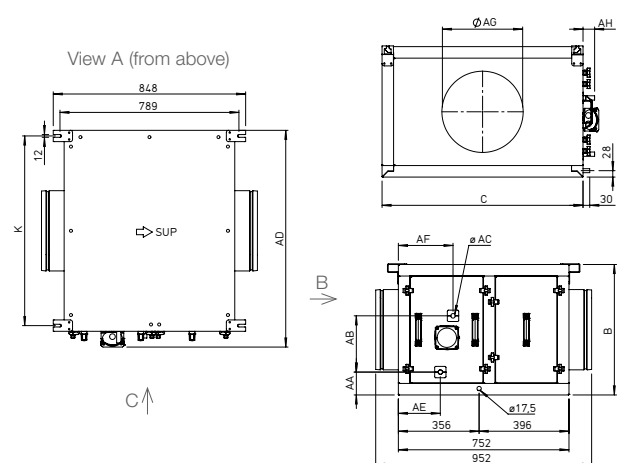
AIR1-CO DX XVP 2500-3500 L



SUP: Supply air

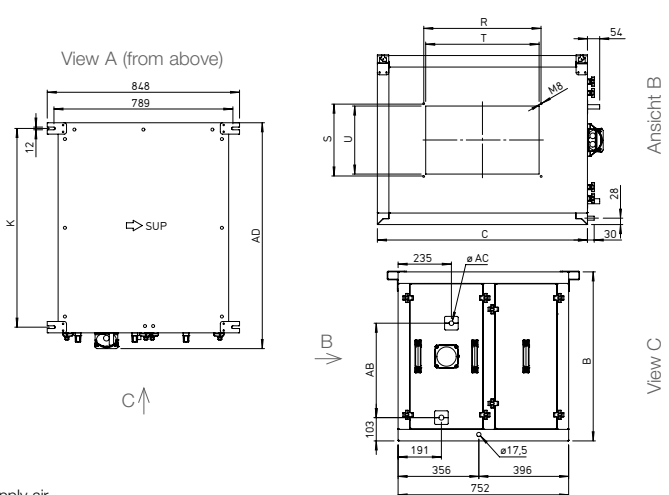
Dimensions AIR1-CO DX XVP R

AIR1-CO DX XVP 850-1800 R



Dimensions in mm

AIR1-CO DX XVP 2500-3500 R



SUP: Supply air

Dimensions

Type	Ref. no.	B	C	K	R	S	T	U	AA	AB	AC	AD	AE	AF	AG	AH
AIR1-CO DX XVP 850 L / R	40478 / 40479	495	786	736	-	-	-	-	101	198	16	855	195	231	250	31
AIR1-CO DX XVP 1250 L / R	40487 / 40488	625	756	706	-	-	-	-	103	295	19	825	192	240	315	31
AIR1-CO DX XVP 1800 L / R	40494 / 40495	575	886	836	-	-	-	-	101	248	19	955	185	241	355	51
AIR1-CO DX XVP 2500 L / R	40505 / 40506	745	926	876	520	320	500	300	-	416	22	995	-	-	-	-
AIR1-CO DX XVP 3500 L / R	40512 / 40513	795	1122	1072	720	420	700	400	-	466	22	1191	-	-	-	-