

AIR1-KR KW XHP



AIR1-KR KW XH



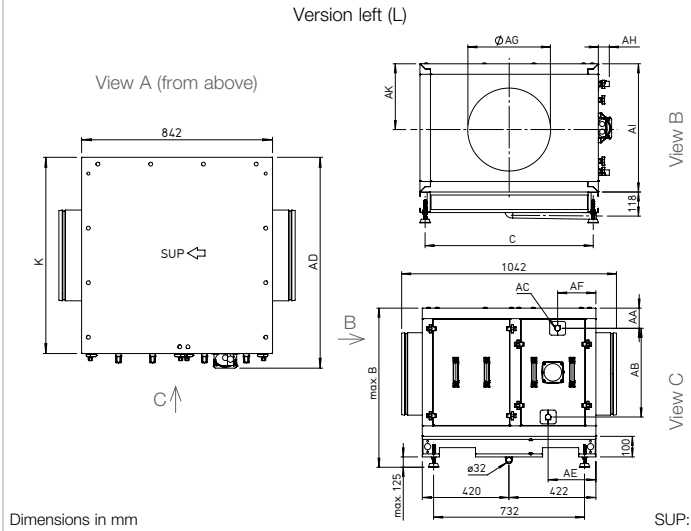
■ Cold water cooling register

For temperature control (cooling) of the supply air as required. Casing in robust panel construction, insulated on all sides with 50 mm mineral wool to minimize heat losses and with corrosion-resistant coating on the outside. Large inspection openings for easy access and optimal cleaning and maintenance. Stainless steel condensate drain pan with condensate drain connection. Condensate connection 32 mm. Cooling coil suitable for indoor and outdoor installation.

Notes: A weather protection roof is required for outdoor installation. Recommended accessories: Ball siphon AIR1-KS B (Art. No. 07169). For version AIR1 XH: Installation directly on the supply air duct of the ventilation unit is possible.

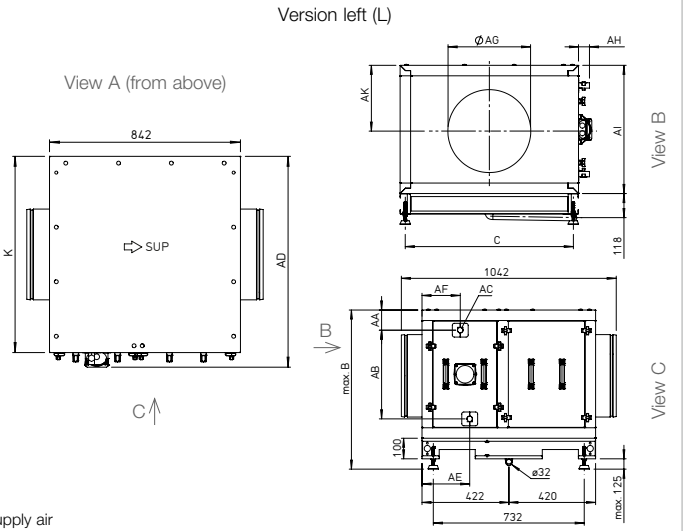
Detailed calculations / technical information: www.AIR1Select.com

Dimensions AIR1-KR KW XHP

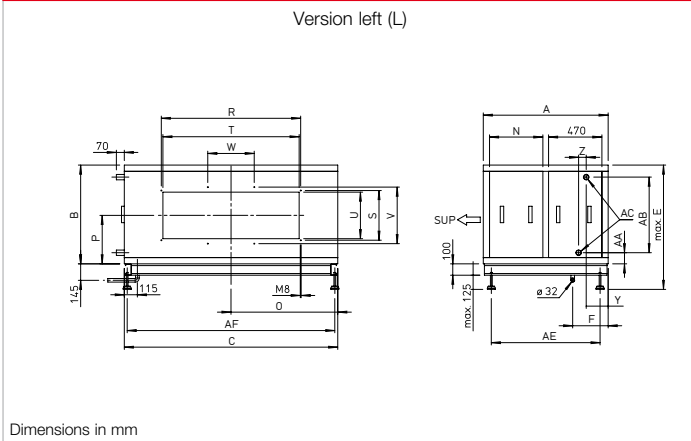


Dimensions in mm

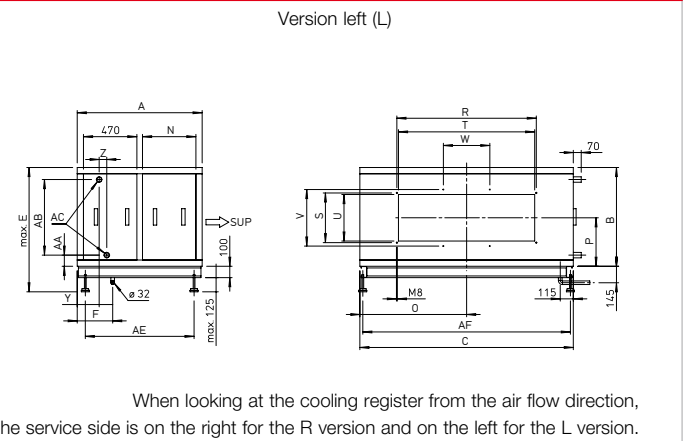
SUP: Supply air



Dimensions AIR1-KR KW XH



Dimensions in mm



When looking at the cooling register from the air flow direction, the service side is on the right for the R version and on the left for the L version.

■ Technical data					
Type	Ref. no.	Version	Water content	Connection flow / return ⁽¹⁾	Weight (without liquid)
AIR1-KR KW XHP 750 L	40552	left	1.6 l	G 3/4	68.5 kg
AIR1-KR KW XHP 750 R	40553	right	1.6 l	G 3/4	68.5 kg
AIR1-KR KW XHP 1000 L	40563	left	1.9 l	G 3/4	78.9 kg
AIR1-KR KW XHP 1000 R	40564	right	1.9 l	G 3/4	78.9 kg
AIR1-KR KW XHP 1500 L	40576	left	2.5 l	G 1	89.0 kg
AIR1-KR KW XHP 1500 R	40577	right	2.5 l	G 1	89.0 kg
AIR1-KR KW XHP 2500 L	40587	left	4.4 l	G 1 3/4	97.4 kg
AIR1-KR KW XHP 2500 R	40588	right	4.4 l	G 1 3/4	97.4 kg
AIR1-KR KW XH 1000 L	03834	left	1.3 l	G 1/2	57.0 kg
AIR1-KR KW XH 1000 R	04254	right	1.3 l	G 1/2	57.0 kg
AIR1-KR KW XH 1500 L	03842	left	1.9 l	G 3/4	64.0 kg
AIR1-KR KW XH 1500 R	04255	right	1.9 l	G 3/4	64.0 kg
AIR1-KR KW XH 2500 L	03844	left	3.0 l	G 3/4	86.0 kg
AIR1-KR KW XH 2500 R	04264	right	3.0 l	G 3/4	86.0 kg
AIR1-KR KW XH 3500 L	03910	left	3.9 l	G 1	112.0 kg
AIR1-KR KW XH 3500 R	04268	right	3.9 l	G 1	112.0 kg
AIR1-KR KW XH 4500 L	03919	left	6.3 l	G 1 1/4	148.0 kg
AIR1-KR KW XH 4500 R	04278	right	6.3 l	G 1 1/4	148.0 kg
AIR1-KR KW XH 5500 L	03932	left	9.3 l	G 1 1/4	173.0 kg
AIR1-KR KW XH 5500 R	04279	right	9.3 l	G 1 1/4	173.0 kg
AIR1-KR KW XH 7000 L	03945	left	12.4 l	G 1 1/2	213.0 kg
AIR1-KR KW XH 7000 R	04281	right	12.4 l	G 1 1/2	213.0 kg
AIR1-KR KW XH 8500 L	03946	left	15.1 l	G 1 1/2	250.0 kg
AIR1-KR KW XH 8500 R	04282	right	15.1 l	G 1 1/2	250.0 kg

■ Dimensions XHP														
Type	Ref. no.	B	C	K	AA	AB	AC ⁽¹⁾	AD	AE	AF	AG	AH	AI	AK
AIR1-KR KW XHP 750 L	40552	640	756	806	85	243	G 3/4	878	234	183	250	72	415	221
AIR1-KR KW XHP 750 R	40553	640	756	806	85	243	G 3/4	878	234	183	250	72	415	221
AIR1-KR KW XHP 1000 L	40563	684	816	866	93	274	G 3/4	931	231	186	250	32	458	214
AIR1-KR KW XHP 1000 R	40564	684	816	866	93	274	G 3/4	931	231	186	250	32	458	214
AIR1-KR KW XHP 1500 L	40576	743	831	881	95	330	G 1	946	231	186	355	57	518	268
AIR1-KR KW XHP 1500 R	40577	743	831	881	95	330	G 1	946	231	186	355	57	518	268
AIR1-KR KW XHP 2500 L	40587	847	815	865	98	430	G 1 3/4	929	231	186	400	53	622	319
AIR1-KR KW XHP 2500 R	40588	847	815	865	98	430	G 1 3/4	929	231	186	400	53	622	319

■ Dimensions XH												
Type	Ref. no.	A	B	C	E	F	N	O	P	R	S	
AIR1-KR KW XH 1000 L	03834	1000	490	635	715	312	370	318	215	343	238	
AIR1-KR KW XH 1000 R	04254	1000	490	635	715	312	370	318	215	343	238	
AIR1-KR KW XH 1500 L	03842	1000	570	642	795	312	370	323	265	378	338	
AIR1-KR KW XH 1500 R	04255	1000	570	642	795	312	370	323	265	378	338	
AIR1-KR KW XH 2500 L	03844	1000	620	862	845	312	370	433	300	498	338	
AIR1-KR KW XH 2500 R	04264	1000	620	862	845	312	370	433	300	498	338	
AIR1-KR KW XH 3500 L	03910	1100	670	967	895	312	470	484	340	608	438	
AIR1-KR KW XH 3500 R	04268	1100	670	967	895	312	470	484	340	608	438	
AIR1-KR KW XH 4500 L	03919	1100	870	1020	1095	312	470	510	452	608	438	
AIR1-KR KW XH 4500 R	04278	1100	870	1020	1095	312	470	510	452	608	438	
AIR1-KR KW XH 5500 L	03932	1100	870	1230	1095	312	470	615	452	883	438	
AIR1-KR KW XH 5500 R	04279	1100	870	1230	1095	312	470	615	452	883	438	
AIR1-KR KW XH 7000 L	03945	1100	870	1530	1095	312	470	765	427	1083	438	
AIR1-KR KW XH 7000 R	04281	1100	870	1530	1095	312	470	765	427	1083	438	
AIR1-KR KW XH 8500 L	03946	1100	870	1880	1095	312	470	940	427	1228	438	
AIR1-KR KW XH 8500 R	04282	1100	870	1880	1095	312	470	940	427	1228	438	

Type	Ref. no.	T	U	V	W	Y	Z	AA	AB	AC ⁽¹⁾	AE	AF
AIR1-KR KW XH 1000 L	03834	315	210	-	-	189	40	82	317	G 1/2	858	587
AIR1-KR KW XH 1000 R	04254	315	210	-	-	189	40	82	317	G 1/2	858	587
AIR1-KR KW XH 1500 L	03842	350	310	-	-	185	47	82	399	G 3/4	858	594
AIR1-KR KW XH 1500 R	04255	350	310	-	-	185	47	82	399	G 3/4	858	594
AIR1-KR KW XH 2500 L	03844	470	310	-	-	189	38	86	439	G 3/4	858	814
AIR1-KR KW XH 2500 R	04264	470	310	-	-	189	38	86	439	G 3/4	858	814
AIR1-KR KW XH 3500 L	03910	580	410	-	-	187	43	88	485	G 1	958	919
AIR1-KR KW XH 3500 R	04268	580	410	-	-	187	43	88	485	G 1	958	919
AIR1-KR KW XH 4500 L	03919	580	410	-	-	184	50	98	666	G 1 1/4	958	969
AIR1-KR KW XH 4500 R	04278	580	410	-	-	184	50	98	666	G 1 1/4	958	969
AIR1-KR KW XH 5500 L	03932	855	410	498	-	193	67	94	674	G 1 1/2	958	1179
AIR1-KR KW XH 5500 R	04279	855	410	498	-	193	67	94	674	G 1 1/2	958	1179
AIR1-KR KW XH 7000 L	03945	1055	410	498	361	193	67	94	674	G 1 1/2	958	1479
AIR1-KR KW XH 7000 R	04281	1055	410	498	361	193	67	94	674	G 1 1/2	958	1479
AIR1-KR KW XH 8500 L	03946	1200	410	498	409	193	67	98	666	G 1 1/2	958	1829
AIR1-KR KW XH 8500 R	04282	1200	410	498	409	193	67	98	666	G 1 1/2	958	1829

(1) External thread