

AIR1-CO DX XHP



AIR1-CO DX XH



■ Change-over cooling register

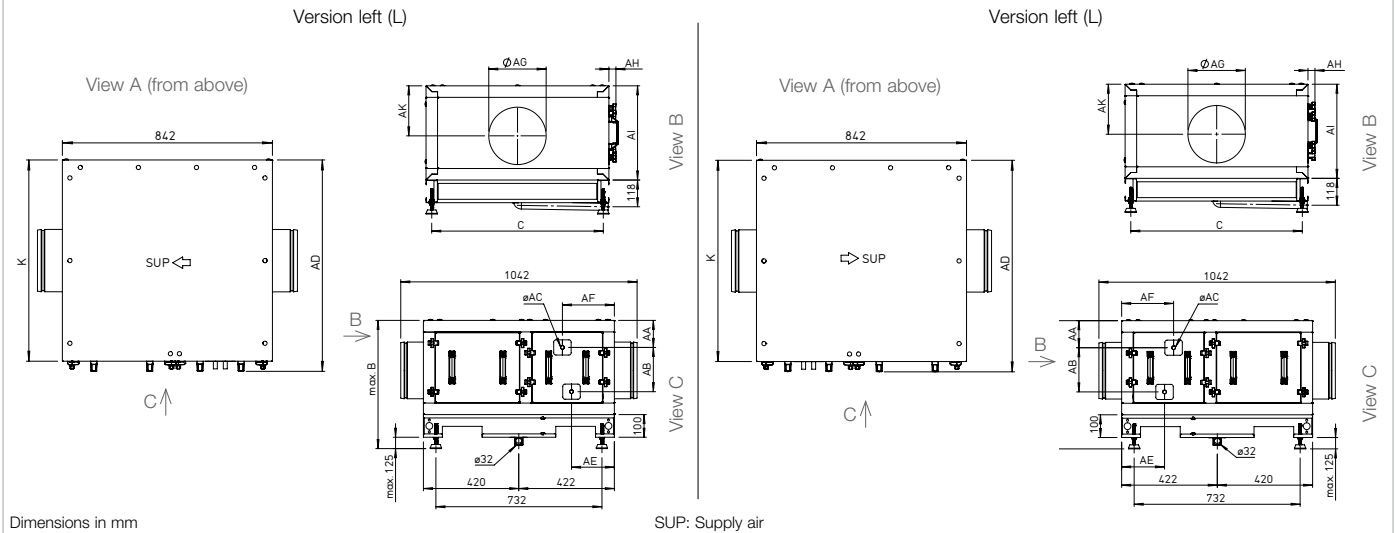
For temperature control (cooling/heating) of supply air. Mounting directly to the supply air duct of the ventilation unit is possible. Suitable for use with common refrigerants (selection list, see www.AIR1Select.com). Casing in robust panel construction, insulated on all sides with 50 mm mineral wool to minimise heat loss. External corrosion-resistant coating of casing. Stainless steel condensate tray with condensate drain outlets. Large inspection openings for easy access and optimised cleaning and maintenance. Condensate connection 32 mm. Cooling register suitable for internal and external installation. Note: A weather protection panel is required for external installation.

Necessary accessories for all AIR1-CO DX XH..: AIR1-SM DX (Ref. no. 40408) (not required for AIR1-CO DX XHP.)

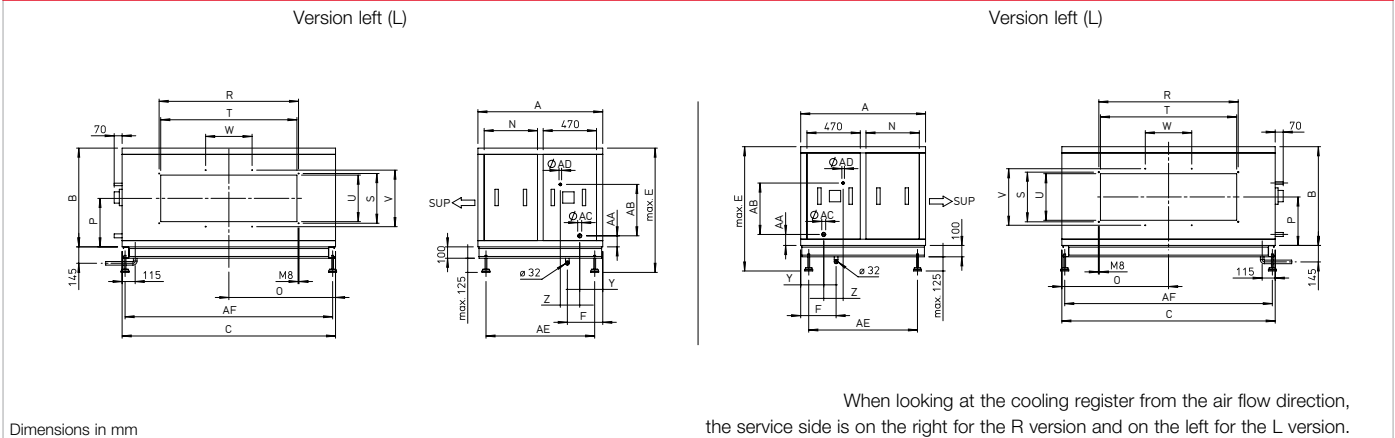
Recommended accessories: Ball siphon AIR1-KS B (Art. no. 07169)

Detailed calculations / technical information: www.AIR1Select.com

Dimensions AIR1-CO DX XHP



Dimensions AIR1-CO DX XH



■ Technical data						
Type	Ref. no.	Version	Weight (without liquid)	Filling capacity	Ø connection outlet	Ø connection inlet
AIR1-CO DX XHP 750 L	40554	left	68.0 kg	1.3 l	16 mm	16 mm
AIR1-CO DX XHP 750 R	40555	right	68.0 kg	1.3 l	16 mm	16 mm
AIR1-CO DX XHP 1000 L	40565	left	78.0 kg	1.6 l	16 mm	16 mm
AIR1-CO DX XHP 1000 R	40566	right	78.0 kg	1.6 l	16 mm	16 mm
AIR1-CO DX XHP 1500 L	40578	left	90.0 kg	2.8 l	19 mm	19 mm
AIR1-CO DX XHP 1500 R	40579	right	90.0 kg	2.8 l	19 mm	19 mm
AIR1-CO DX XHP 2500 L	40589	left	95.0 kg	3.6 l	28 mm	28 mm
AIR1-CO DX XHP 2500 R	40590	right	95.0 kg	3.6 l	28 mm	28 mm
AIR1-CO DX XH 1000 L	40374	left	56.0 kg	1.11 l	16 mm	9.5 mm
AIR1-CO DX XH 1000 R	40382	right	56.0 kg	1.11 l	16 mm	9.5 mm
AIR1-CO DX XH 1500 L	40375	left	63.0 kg	1.49 l	16 mm	9.5 mm
AIR1-CO DX XH 1500 R	40383	right	63.0 kg	1.49 l	16 mm	9.5 mm
AIR1-CO DX XH 2500 L	40376	left	85.0 kg	2.47 l	19 mm	12 mm
AIR1-CO DX XH 2500 R	40384	right	85.0 kg	2.47 l	19 mm	12 mm
AIR1-CO DX XH 3500 L	40377	left	110.0 kg	3.3 l	22 mm	16 mm
AIR1-CO DX XH 3500 R	40385	right	110.0 kg	3.3 l	22 mm	16 mm
AIR1-CO DX XH 4500 L	40378	left	145.0 kg	5.0 l	28 mm	16 mm
AIR1-CO DX XH 4500 R	40386	right	145.0 kg	5.0 l	28 mm	16 mm
AIR1-CO DX XH 5500 L	40379	left	173.0 kg	7.8 l	28 mm	22 mm
AIR1-CO DX XH 5500 R	40387	right	173.0 kg	7.8 l	28 mm	22 mm
AIR1-CO DX XH 7000 L	40380	left	211.0 kg	10.5 l	28 mm	22 mm
AIR1-CO DX XH 7000 R	40388	right	211.0 kg	10.5 l	28 mm	22 mm
AIR1-CO DX XH 8500 L	40381	left	250.0 kg	13.2 l	35 mm	22 mm
AIR1-CO DX XH 8500 R	40389	right	250.0 kg	13.2 l	35 mm	22 mm

■ Dimensions XHP														
Type	Ref. no.	B	C	K	AA	AB	AC	AD	AE	AF	AG	AH	AI	AK
AIR1-CO DX XHP 750 L	40554	640	756	806	119	195	16	848	189	229	250	31	415	221
AIR1-CO DX XHP 750 R	40555	640	756	806	119	195	16	848	189	229	250	31	415	221
AIR1-CO DX XHP 1000 L	40565	684	816	866	106	264	16	955	180	217	250	89	458	214
AIR1-CO DX XHP 1000 R	40566	684	816	866	106	264	16	955	180	217	250	89	458	214
AIR1-CO DX XHP 1500 L	40578	743	831	881	217	197	19	950	192	233	355	69	518	268
AIR1-CO DX XHP 1500 R	40579	743	831	881	217	197	19	950	192	233	355	69	518	268
AIR1-CO DX XHP 2500 L	40589	847	815	865	198	328	28	929	183	251	400	42	622	319
AIR1-CO DX XHP 2500 R	40590	847	815	865	198	328	28	929	183	251	400	42	622	319

■ Dimensions XH													
Type	Ref. no.	A	B	C	E	F	N	O	P	R	S	T	
AIR1-CO DX XH 1000 L	40374	1000	490	635	715	312	370	318	215	343	238	315	
AIR1-CO DX XH 1000 R	40382	1000	490	635	715	312	370	318	215	343	238	315	
AIR1-CO DX XH 1500 L	40375	1000	570	642	795	312	370	323	265	378	338	350	
AIR1-CO DX XH 1500 R	40383	1000	570	642	795	312	370	323	265	378	338	350	
AIR1-CO DX XH 2500 L	40376	1000	620	862	845	312	370	433	300	498	338	470	
AIR1-CO DX XH 2500 R	40384	1000	620	862	845	312	370	433	300	498	338	470	
AIR1-CO DX XH 3500 L	40377	1100	670	967	895	312	470	484	340	608	438	580	
AIR1-CO DX XH 3500 R	40385	1100	670	967	895	312	470	484	340	608	438	580	
AIR1-CO DX XH 4500 L	40378	1100	870	1020	1095	312	470	510	452	608	438	580	
AIR1-CO DX XH 4500 R	40386	1100	870	1020	1095	312	470	510	452	608	438	580	
AIR1-CO DX XH 5500 L	40379	1100	870	1230	1095	312	470	615	452	883	438	855	
AIR1-CO DX XH 5500 R	40387	1100	870	1230	1095	312	470	615	452	883	438	855	
AIR1-CO DX XH 7000 L	40380	1100	870	1530	1095	312	470	765	427	1083	438	1055	
AIR1-CO DX XH 7000 R	40388	1100	870	1530	1095	312	470	765	427	1083	438	1055	
AIR1-CO DX XH 8500 L	40381	1100	870	1880	1095	312	470	940	427	1228	438	1200	
AIR1-CO DX XH 8500 R	40389	1100	870	1880	1095	312	470	940	427	1228	438	1200	

Type	Ref. no.	U	V	W	Y	Z	AA	AB	AC	AD	AE	AF
AIR1-CO DX XH 1000 L	40374	210	–	–	207	65	111	153	16	9.5	858	587
AIR1-CO DX XH 1000 R	40382	210	–	–	207	65	111	153	16	9.5	858	587
AIR1-CO DX XH 1500 L	40375	310	–	–	207	59	101	244	16	9.5	858	594
AIR1-CO DX XH 1500 R	40383	310	–	–	207	59	101	244	16	9.5	858	594
AIR1-CO DX XH 2500 L	40376	310	–	–	205	65	105	290	19	12	858	814
AIR1-CO DX XH 2500 R	40384	310	–	–	205	65	105	290	19	12	858	814
AIR1-CO DX XH 3500 L	40377	410	–	–	203	70	107	338	22	16	958	919
AIR1-CO DX XH 3500 R	40385	410	–	–	203	70	107	338	22	16	958	919
AIR1-CO DX XH 4500 L	40378	410	–	–	203	66	110	525	28	16	958	969
AIR1-CO DX XH 4500 R	40386	410	–	–	203	66	110	525	28	16	958	969
AIR1-CO DX XH 5500 L	40379	410	498	–	210	174	87	463	28	22	958	1179
AIR1-CO DX XH 5500 R	40387	410	498	–	210	174	87	463	28	22	958	1179
AIR1-CO DX XH 7000 L	40380	410	498	361	210	154	97	448	28	22	958	1479
AIR1-CO DX XH 7000 R	40388	410	498	361	210	154	97	448	28	22	958	1479
AIR1-CO DX XH 8500 L	40381	410	498	409	203	171	97	453	35	22	958	1829
AIR1-CO DX XH 8500 R	40389	410	498	409	203	171	97	453	35	22	958	1829