

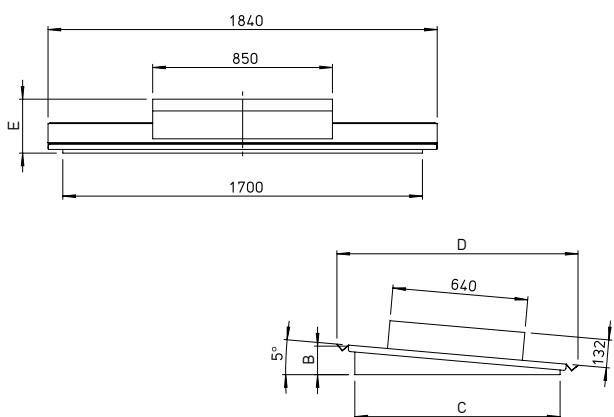
AIR1-AAD RH



Weather protection cover

Weather protection cover for the external installation of AIR1 ventilation units. Made of galvanised steel sheet, in weather-resistant design/coating. Increases the protection class of the unit to IP54.

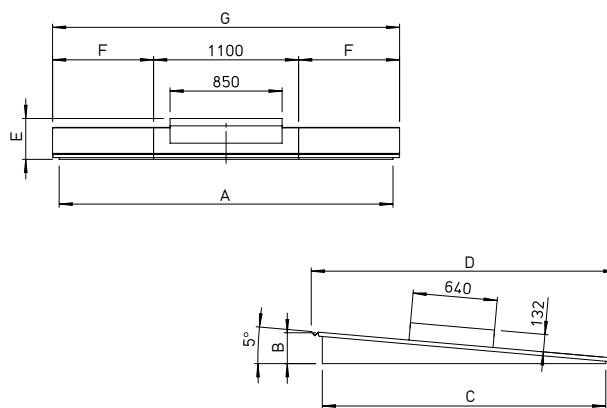
Dimensions AIR1-AAD RH 1500 / 2000 / 3000



Dimensions in mm

AIR1 RH 1500 - 3000

Dimensions AIR1-AAD RH 5000 / 6000 / 8000 / 9500 / 12000 / 15000



Dimensions in mm

AIR1 RH 5000 - 15000

Dimensions

Type	Ref. no.	B	C	D	E
AIR1-AAD RH 1500	06382	115	760	930	245
AIR1-AAD RH 2000	06431	125	860	1030	250
AIR1-AAD RH 3000	06432	135	970	1140	255

Dimensions

Type	Ref. no.	A	B	C	D	E	F	G
AIR1-AAD RH 5000	06433	1842	162	1280	1448	269	423	1946
AIR1-AAD RH 6000	06434	2012	172	1400	1568	275	508	2116
AIR1-AAD RH 8000	06435	2182	194	1650	1818	285	594	2288
AIR1-AAD RH 9500	06436	2312	199	1750	1918	290	656	2412
AIR1-AAD RH 12000	06437	2448	212	1900	2068	295	724	2548
AIR1-AAD RH 15000	06438	2532	234	2150	2318	310	766	2632