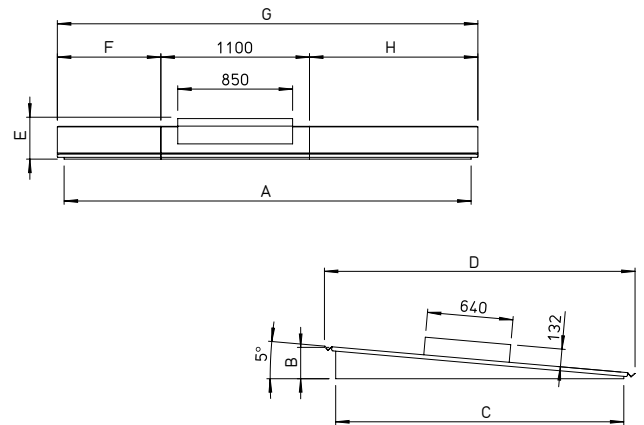


AIR1-AAD RH .../ULM



Dimensions AIR1-AAD RH .../ULM



Dimensions in mm

■ Weather protection cover for the unit incl. recirculation module

Weather protection cover for the external installation of AIR1 ventilation units with a recirculation module. Made of galvanised steel sheet, in weather-resistant design/coating. Increases the protection class of the unit to IP54.

■ Dimensions

Type	Ref. no.	A	B	C	D	E	F	G	H
AIR1-AAD RH 5000/ULM	06439	2322	162	1280	1448	269	423	2426	903
AIR1-AAD RH 6000/ULM	06440	2492	172	1400	1568	275	508	2596	988
AIR1-AAD RH 8000/ULM	06441	2662	194	1650	1818	285	594	2768	1074
AIR1-AAD RH 9500/ULM	06442	2792	199	1750	1918	290	656	2892	1136
AIR1-AAD RH 12000/ULM	06443	2928	212	1900	2068	295	724	3028	1204
AIR1-AAD RH 15000/ULM	06444	3012	234	2150	2318	310	766	3112	1246