

### AIR1-KR KW XC



#### ■ Cold water cooling register external

For demand-oriented temperature control (cooling) of supply air. Mounting directly to the supply air duct of the ventilation unit including fixing material is possible. Casing in robust panel construction, insulated on all sides with 50 mm mineral wool for the minimisation of heat losses. External corrosion-resistant coating of casing. Large inspection openings on both sides of unit for easy access and optimised cleaning and maintenance. Stainless steel condensate tray with condensate drain outlets. Recommended accessory: Ball siphon AIR1-KS D (Ref. no. 07170)

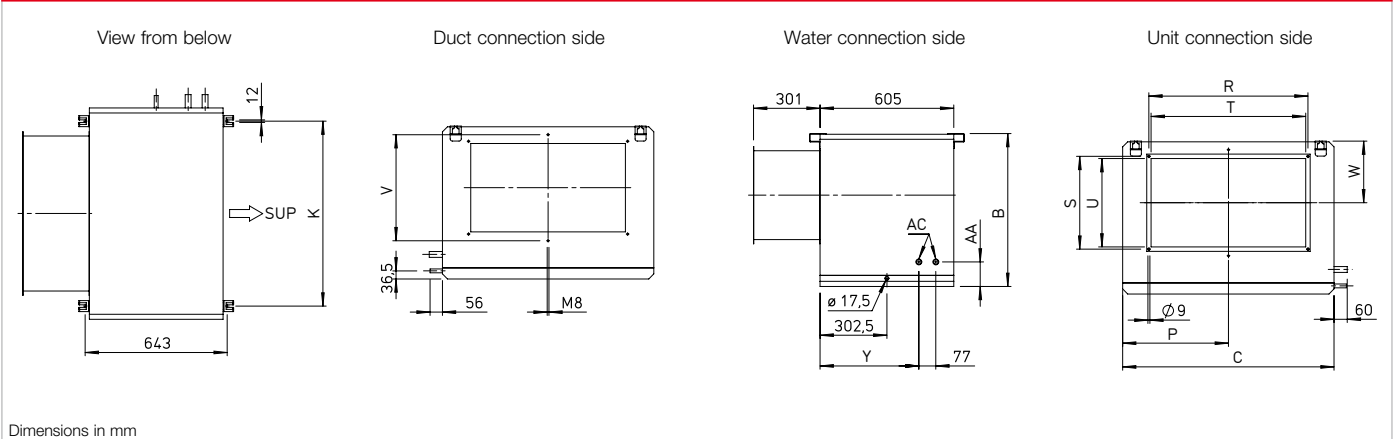
Detailed calculations / technical information: [www.AIR1Select.com](http://www.AIR1Select.com)

#### ■ Technical data

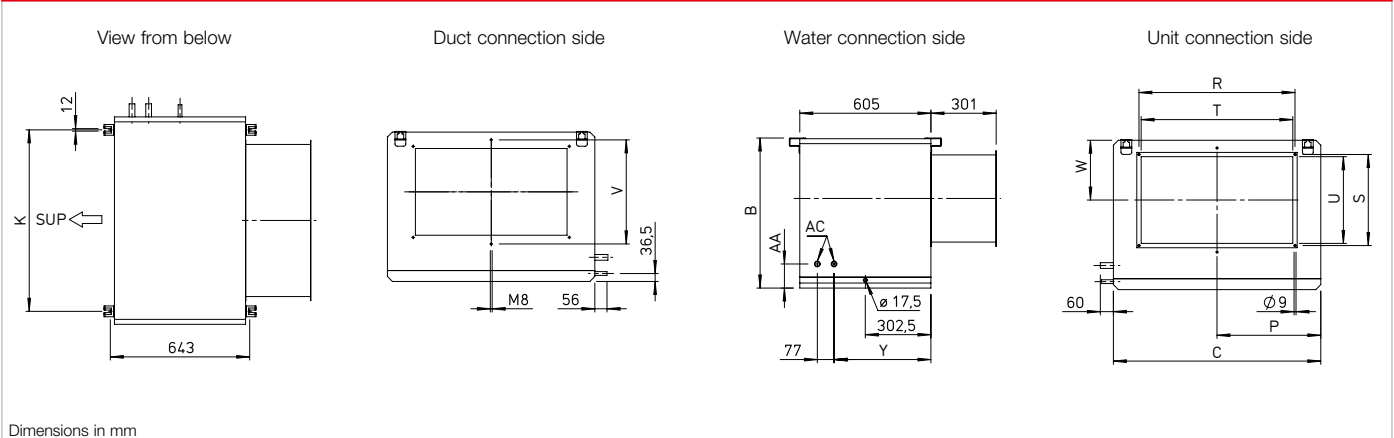
Type	Ref. no.	Water content	Connection flow / return <sup>(1)</sup>	Weight (without liquid)	Condensate connection
AIR1-KR KW XC 500 L / R	04185 / 40125	1.2 l	G 1/2	24.0 kg	17.5 mm
AIR1-KR KW XC 700 L / R	04186 / 40126	1.3 l	G 1/2	37.0 kg	17.5 mm
AIR1-KR KW XC 1000 L / R	40745 / 40746	1.6 l	G 1/2	42.0 kg	17.5 mm
AIR1-KR KW XC 1400 L / R	04187 / 40127	2.0 l	G 1/2	43.0 kg	17.5 mm
AIR1-KR KW XC 2200 L / R	04188 / 40128	3.2 l	G 3/4	63.0 kg	17.5 mm
AIR1-KR KW XC 3200 L / R	04190 / 40129	4.4 l	G 3/4	80.0 kg	17.5 mm

(1) External thread

### Dimensions AIR1-KR KW XC L



### Dimensions AIR1-KR KW XC R



#### ■ Dimensions

Type	Ref. no.	B	C	K	P	R	S	T	U	V	W	Y	AA	AC <sup>(1)</sup>
AIR1-KR KW XC 500 L / R	04185 / 40125	437	437	317	234	320	170	300	150	-	192	467	96	G 1/2
AIR1-KR KW XC 700 L / R	04186 / 40126	490	537	417	284	420	220	400	200	-	218	467	96	G 1/2
AIR1-KR KW XC 1000 L / R	40745 / 40746	487	677	557	374	520	220	500	200	-	218	467	96	G 1/2
AIR1-KR KW XC 1400 L / R	04187 / 40127	542	677	557	374	520	270	500	250	-	243	467	96	G 1/2
AIR1-KR KW XC 2200 L / R	04188 / 40128	592	878	757	453	520	320	500	300	-	254	447	111	G 3/4
AIR1-KR KW XC 3200 L / R	04190 / 40129	692	957	837	479	720	420	700	400	480	279	447	111	G 3/4

(1) External thread