

### AIR1-CO DX XVP



### Change-over register

For temperature control (cooling/heating) of supply air. Suitable for use with common refrigerants (selection list, see [www.AIR1Select.com](http://www.AIR1Select.com)). Casing in robust panel construction, insulated on all sides with 50 mm mineral wool to minimise heat loss. External corrosion-resistant coating of casing. Stainless steel condensate tray with condensate drain outlets. Large inspection openings for easy access and optimised cleaning and maintenance. Condensate connection 17.5 mm. Recommended accessories: Ball siphon AIR1-KS D (Ref. no. 07170)

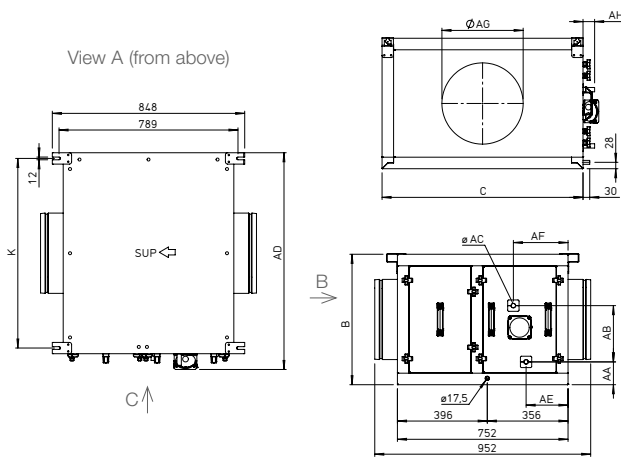
Detailed calculations / technical information: [www.AIR1Select.com](http://www.AIR1Select.com)

### Technical data

| Type                      | Ref. no.      | Filling capacity | Ø connection outlet/inlet | Weight (without liquid) | Condensate connection |
|---------------------------|---------------|------------------|---------------------------|-------------------------|-----------------------|
| AIR1-CO DX XVP 850 L / R  | 40478 / 40479 | 1.5 l            | 16 mm / 16 mm             | 55.0 kg                 | 17.5 mm               |
| AIR1-CO DX XVP 1250 L / R | 40487 / 40488 | 2.2 l            | 19 mm / 19 mm             | 65.0 kg                 | 17.5 mm               |
| AIR1-CO DX XVP 1800 L / R | 40494 / 40495 | 2.3 l            | 19 mm / 19 mm             | 68.0 kg                 | 17.5 mm               |
| AIR1-CO DX XVP 2500 L / R | 40505 / 40506 | 3.0 l            | 22 mm / 22 mm             | 83.0 kg                 | 17.5 mm               |
| AIR1-CO DX XVP 3500 L / R | 40512 / 40513 | 4.6 l            | 22 mm / 22 mm             | 98.0 kg                 | 17.5 mm               |

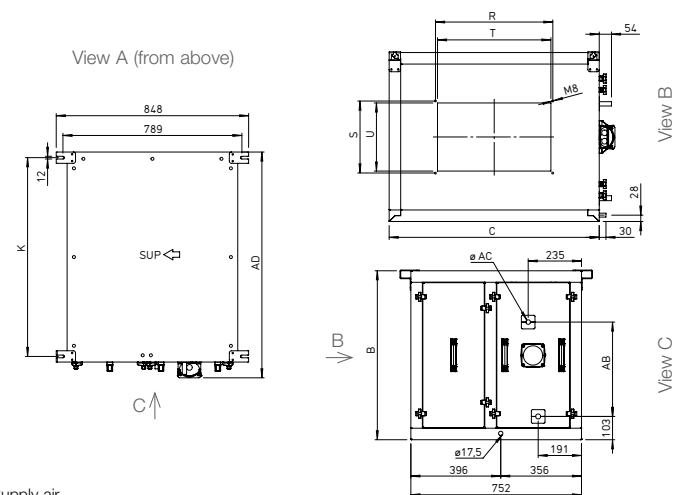
### Dimensions AIR1-CO DX XVP L

AIR1-CO DX XVP 850-1800 L



Dimensions in mm

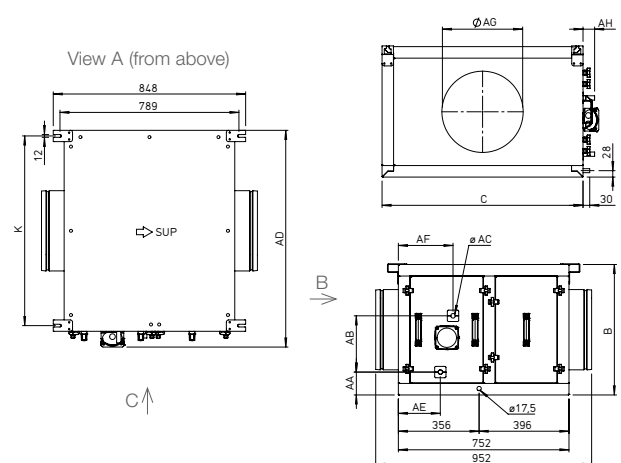
AIR1-CO DX XVP 2500-3500 L



SUP: Supply air

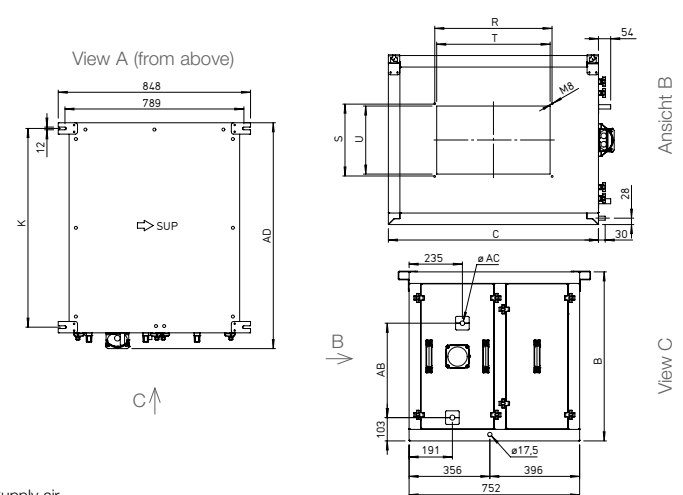
### Dimensions AIR1-CO DX XVP R

AIR1-CO DX XVP 850-1800 R



Dimensions in mm

AIR1-CO DX XVP 2500-3500 R



SUP: Supply air

### Dimensions

| Type                      | Ref. no.      | B   | C    | K    | R   | S   | T   | U   | AA  | AB  | AC | AD   | AE  | AF  | AG  | AH |
|---------------------------|---------------|-----|------|------|-----|-----|-----|-----|-----|-----|----|------|-----|-----|-----|----|
| AIR1-CO DX XVP 850 L / R  | 40478 / 40479 | 495 | 786  | 736  | -   | -   | -   | -   | 101 | 198 | 16 | 855  | 195 | 231 | 250 | 31 |
| AIR1-CO DX XVP 1250 L / R | 40487 / 40488 | 625 | 756  | 706  | -   | -   | -   | -   | 103 | 295 | 19 | 825  | 192 | 240 | 315 | 31 |
| AIR1-CO DX XVP 1800 L / R | 40494 / 40495 | 575 | 886  | 836  | -   | -   | -   | -   | 101 | 248 | 19 | 955  | 185 | 241 | 355 | 51 |
| AIR1-CO DX XVP 2500 L / R | 40505 / 40506 | 745 | 926  | 876  | 520 | 320 | 500 | 300 | -   | 416 | 22 | 995  | -   | -   | -   | -  |
| AIR1-CO DX XVP 3500 L / R | 40512 / 40513 | 795 | 1122 | 1072 | 720 | 420 | 700 | 400 | -   | 466 | 22 | 1191 | -   | -   | -   | -  |