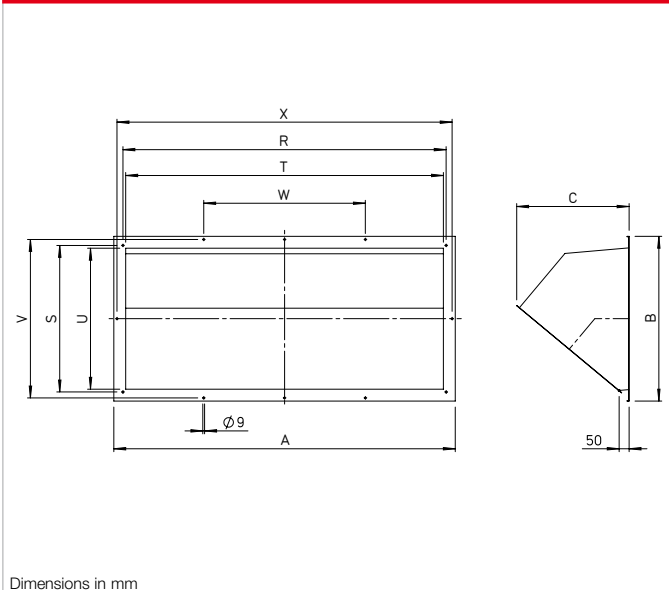


AIR1-AAHF XH / AIR1-AAHF RH



Dimensions AIR1-AAHF XH / AIR1-AAHF RH



■ Discharge hood exhaust air

Discharge hood exhaust air for external installation. Includes protection guard. Mounting via flange connection to the unit connector. Surface with weather-resistant coating.

■ Dimensions

Type	Ref. no.	A	B	C	R	S	T	U	V	W	X
AIR1-AAHF XH 1500/RH 1500	06643	410	370	338	378	338	350	310	–	–	–
AIR1-AAHF XH 2500/RH 2000	06646	530	370	338	498	338	470	310	–	–	–
AIR1-AAHF XH 3500-4500/RH 3000	06647	640	470	375	608	438	580	410	–	–	–
AIR1-AAHF XH 5500/RH 5000-6000	06648	915	530	375	883	438	580	410	498	–	–
AIR1-AAHF XH 7000/RH 8000	06841	1115	530	375	1083	438	1055	410	498	361	–
AIR1-AAHF XH 8500/RH 9500	06864	1260	530	375	1228	438	1200	410	498	409	–
AIR1-AAHF RH 12000	06865	1595	630	415	1503	538	1475	510	598	501	1563
AIR1-AAHF RH 15000	06866	1720	830	566	1628	738	1600	710	798	814	1688