

AIR1-ULK XH/XHP



Recirculation kit

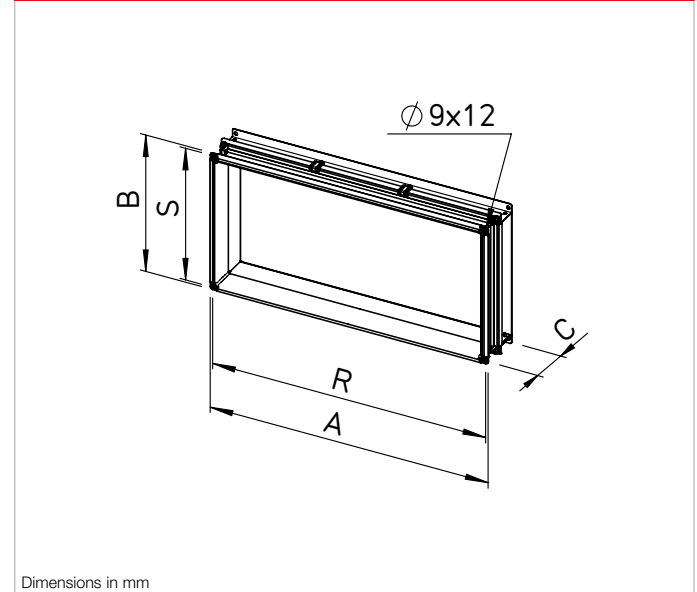
Recirculation kit for the 100 % recirculation of the extract air into the building. Multi-leaf dampers are required for recirculation operation. The kit consists of a recirculation damper including drive. For mounting to bypass duct of ventilation unit. Plug-in connection to the mains power supply and ventilation unit control system.

Type	Ref. no.	Type	Ref. no.
AIR1-ULK XHP 750	40559	AIR1-ULK XH 3500	06025
AIR1-ULK XHP 1000	40570	AIR1-ULK XH 4500	06026
AIR1-ULK XHP 1500	40583	AIR1-ULK XH 5500	06027
AIR1-ULK XHP 2500	40594	AIR1-ULK XH 7000	06028
		AIR1-ULK XH 8500	06029

AIR1-VS



Dimensions AIR1-VS



Dimensions in mm

Flexible connector

Flexible connector (uninsulated), with flange connections on both sides, for mounting between the ventilation unit and duct system. Prevents structure-borne sound transmission and bridges mounting tolerances. Elastic fabric sleeve, operating temperature range from -10 °C to +80 °C.

Dimensions

XH units	Type	Ref. no.	A	B	C ¹⁾	R	S
AIR1-XH 3500	AIR1-VS 58/41	04374	626	456	145	608.3	438.3
AIR1-XH 4500	AIR1-VS 58/41	04374	626	456	145	608.3	438.3
AIR1-XH 5500	AIR1-VS 85/41	04375	901	456	220	883.3	438.3
AIR1-XH 7000	AIR1-VS 105/41	04376	1101	456	220	1083.3	438.3
AIR1-XH 8500	AIR1-VS 120/41	04377	1246	456	220	1228.3	438.3

1) max.