

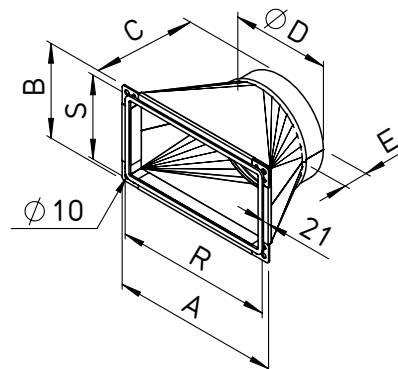
AIR1-ÜS XH



■ **Square-round adapter**

Symmetrical adapter for connecting the ventilation unit to round air ducts/duct systems. Made of galvanised steel sheet. The pressure loss of the adapter at maximum air volume is < 10 Pa on both the intake and discharge side.

Dimensions AIR1-ÜS XH



Dimensions in mm

■ **Dimensions**

Type	Ref. no.	A	B	C	D	E	R	S
AIR1-ÜS XH 3500-4500/RH 3000	04369	630	460	300	500	80	608	438
AIR1-ÜS XH 5500/RH 5000-6000	04370	905	460	350	630	80	883	438

AIR1-KS B



■ **Ball siphon**

Siphon for the drainage of condensate with over or underpressure in comparison to the environment. Self-filling and self-closing, with float ball as non-return valve. Screw cap for inspection purposes.

Suitable for a max. under/overpressure of ± 600 Pa.

For use with floor mounted AIR1 units and cooling register.

Connection diameter 40 mm.

AIR1-KS B

Ref. no. 07169