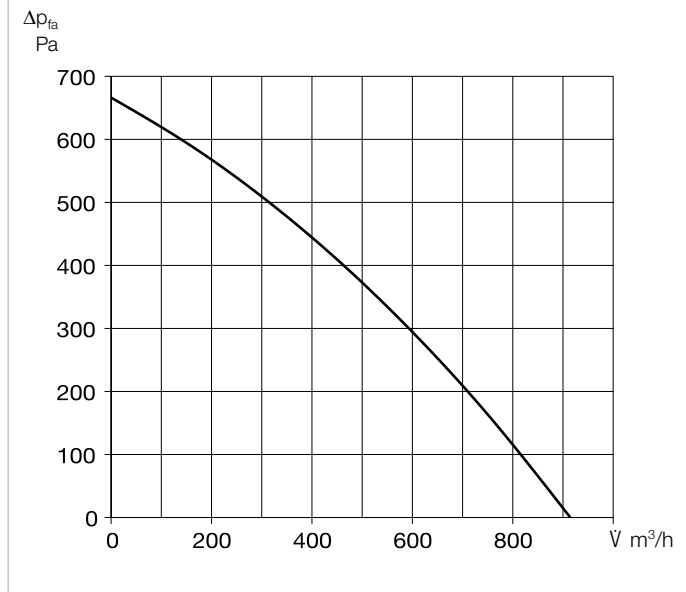


KWL YOGA / KWL YOGA Style 700



Performance curve KWL YOGA / KWL YOGA Style 700



Decentralised compact ventilation units with heat recovery for the supply and extract ventilation of individual rooms, such as classrooms, recreation rooms, offices, commercial units, medical practices and many more. Equipped with highly-efficient aluminium heat exchangers and energy-saving EC motors. Automatic shutters for intake and exhaust prevent cold draughts when the fans are deactivated. The flow-optimised supply air grille allows draught-free ventilation, even in large rooms, through the optimal use of the Coanda effect. Includes a touch control element for easy operation and configuration of unit functions.

■ **Casing**

Made of galvanised steel sheet, all casing parts are painted white/powder-coated inside and outside. The double-walled unit casing is equipped with 40 mm thermal and sound insulation on all sides. Easy installation and maintenance due to large inspection panel.

■ **Installation**

Ceiling installation is carried out using the vibration-damping fastening elements included in the scope of delivery. Alternatively, combined wall-ceiling installation is possible with the wall bracket set (Ref. no. 40067).

■ **Heat exchanger**

Large aluminium cross counterflow heat exchanger with up to 90% heat

recovery efficiency. Dismantling is possible in a few steps.

■ **Fans**

Two low-noise, high-performance EC fans with backward curved impellers for maximum energy efficiency.

■ **Sensor system**

Integrated CO<sub>2</sub> sensor system. Alternatively, this can be replaced by an external sensor (VOC, CO<sub>2</sub> or humidity) positioned in the room. KWL Yoga can also be controlled with a motion sensor (combination not possible!) instead of the sensors.

■ **Air flow**

Supply air on front side, two extract

air openings on the underside of the unit. Intake and exhaust air connectors are equipped with spring-loaded shutters.

■ **Condensate connection**

Condensate drain at the bottom (wall side), optionally via ball siphon in surface-mounted or flush-mounted design or via condensate pump.

■ **Air filter**

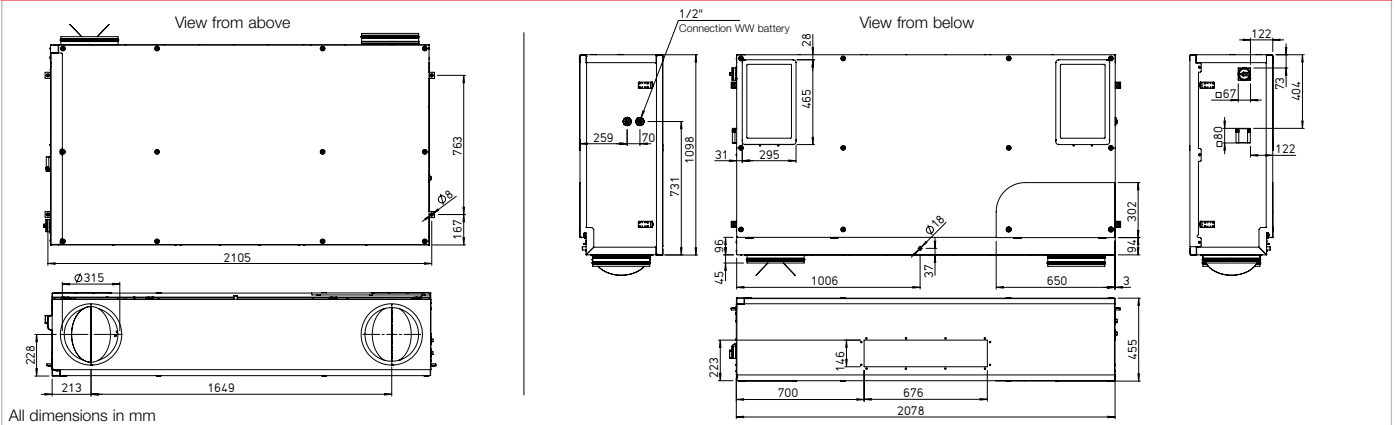
Clean intake air flow via ISO ePM<sub>1</sub> 60% filter (F7). Two bag filters for extract air: ISO Coarse 60% (G4); optionally available: ISO ePM<sub>10</sub> 60% (M5).

■ **Summer operation**

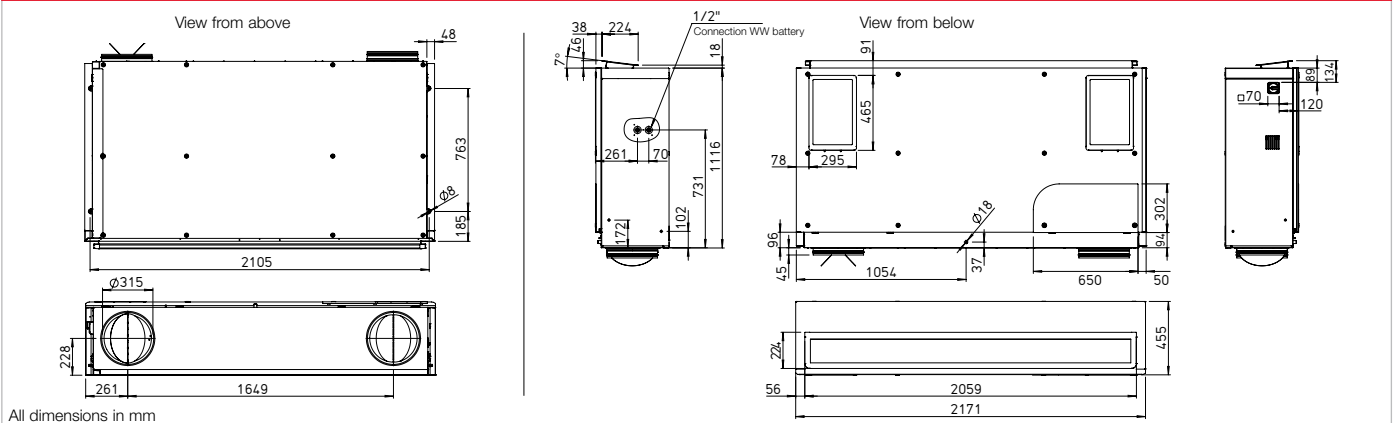
Equipped with automatic bypass function (bypassing the heat ex-

	Without electrical preheater/ without electrical after-heater	Without electrical preheater/ with electrical after-heater	Without electrical preheater/ with warm water after-heater	With electrical preheater/ without after-heater	With electrical preheater/ with electrical after-heater
	<b>KWL YOGA 700</b> Ref. no. 40019	<b>KWL YOGA 700 EN</b> Ref. no. 40021	<b>KWL YOGA 700 WW</b> Ref. no. 40023	<b>KWL YOGA 700 EV</b> Ref. no. 40025	<b>KWL YOGA 700 EV/EN</b> Ref. no. 40027
	<b>KWL YOGA Style 700</b> Ref. no. 40020	<b>KWL YOGA Style 700 EN</b> Ref. no. 40022	<b>KWL YOGA Style 700 WW</b> Ref. no. 40024	<b>KWL YOGA Style 700 EV</b> Ref. no. 40026	<b>KWL YOGA Style 700 EV/EN</b> Ref. no. 40028
Intake/exhaust air connector diameter	315	315	315	315	315
Air volume V m <sup>3</sup> /h (Min. - Max.)	307 - 917	307 - 917	307 - 917	307 - 917	307 - 917
Radiation L <sub>pa</sub> dB(A) in 1 m / 3 m (at 0 Pa)					
- 307 m <sup>3</sup> /h	26 / 20	26 / 20	26 / 20	26 / 20	26 / 20
- 449 m <sup>3</sup> /h	27 / 21	27 / 21	27 / 21	27 / 21	27 / 21
- 589 m <sup>3</sup> /h	31 / 24	31 / 24	31 / 24	31 / 24	31 / 24
- 917 m <sup>3</sup> /h	42 / 35	42 / 35	42 / 35	42 / 35	42 / 35
Maximum power consumption W					
- fans	2 x 170	2 x 170	2 x 170	2 x 170	2 x 170
- el. preheater / after-heater	--- / ---	--- / 2250	--- / ---	2000 / ---	2000 / 2250
- total	350	2600	350	2350	4600
Rated current A					
- fans	2 x 1.20	2 x 1.20	2 x 1.20	2 x 1.20	2 x 1.20
- el. preheater / after-heater	--- / ---	--- / 9.79	--- / ---	8.7 / ---	8.7 / 9.79
- total	2.45	12.24	2.45	11.15	9.79
Voltage / frequency	1~, 230 V, 50 Hz	1~, 230 V, 50 Hz	1~, 230 V, 50 Hz	1~, 230 V, 50 Hz	3~, 400 V, 50 Hz
Protection category IP	20	20	20	20	20
Temperature operating range °C	-10 to +40	-10 to +40	-10 to +40	-20 to +40	-20 to +40
Installation temperature °C	+5 to +40	+5 to +40	+5 to +40	+5 to +40	+5 to +40
Weight approx. kg	116 (KWL YOGA Style: 126)	117 (KWL YOGA Style: 127)	119 (KWL YOGA Style: 129)	117 (KWL YOGA Style: 127)	118 (KWL YOGA Style: 128)
Wiring diagram no.	1384	1384	1384	1384	1384

**Dimensions KWL YOGA 700**



**Dimensions KWL YOGA Style 700**



changer to use the cool night air for controlling the room temperature) as standard.

**Heat exchanger frost protection**

The standard frost monitoring automatically regulates the supply air flow and the built-in electrical preheater, depending on the selected equipment.

**After-heater**

Unit variants with integrated post-heating (warm water or electrical after-heater) ensure the comfortable and energy-efficient post-heating of supply air. The target supply air temperature is set on the control element. The use of hydraulic unit type WSH HE 24 V (0-10V), (accessories) is recommended for controlling the warm water heating element.

**Power control**

The included comfort control element with touch functionality and easy menu navigation provide the following functions:

- Demand-oriented ventilation, optionally with CO<sub>2</sub>, VOC, or humidity sensor (1 sensor can be connected).
- Initial commissioning (automatic determination of system characteristic curve).
- Fire alarm contact connection.
- Weekly or daily programme.
- Automatic bypass (summer operation: use of cool night air).
- Pressure monitoring of filter contamination.
- Displays required filter replacement.
- 5 password-protected function levels can be configured.
- Control via central building control system possible (ModBus RTU and ModBus TCP, BACnet)
- Including control line cable (10 m)

**Electrical connection**

After opening the inspection cover, the easily accessible terminal box is located in the side of the casing. The isolator/main switch is located on the outside of the unit for easy maintenance. It can be locked using a padlock to prevent unauthorised access.

**Sensors**

**Infrared motion sensor** for detecting the presence of people in the room.

**BWM** Ref. no. 08323

**CO<sub>2</sub> sensor** for measuring the CO<sub>2</sub> concentration.

**AIR1/KWL-VOC 0-10V** No. 20250

**VOC sensor** for measuring the mixed gas concentration (VOC).

**AIR1/KWL-CO2 0-10V** No. 20251

**Humidity-temperature sensor** for measuring the relative air humidity.

**AIR1/KWL-FTF 0-10V** No. 20252

**Installation accessories**

**Flush-mounted/wall-mounted siphon**

**KWL-KS WE** Ref. no. 40064

**Ball-tube siphon**

**KWL-KS** Ref. no. 40065

**Condensate pump**

**KWL-KP** Ref. no. 40066

**Wall bracket console set** for combined wall-/ceiling installation.

**KWL YOGA-WH** Ref. no. 40067

**Hydraulic unit**

**WSH HE 24V (0-10V)** No. 08318

**Facade grille, circular**

**FGR 250** Ref. no. 40181

**FGR 315** Ref. no. 40182

**Filter**

**Spare air filter (extract air)**

ISO Coarse 60% (G4). Unit = 1 pc.

**ELF-KWL YOGA 400/Coarse 60%**

Ref. no. 40068

**Spare air filter (extract air)**

ISO ePM<sub>10</sub> 60% (M5). Unit = 1 pc.

**ELF-KWL YOGA 400/ePM 10 60%**

Ref. no. 40071

Note: 2 extract air filters are required per unit.

**Spare air filter (intake air)**

ISO ePM<sub>1</sub> 60% (F7). Unit = 1 pc.

**ELF-KWL YOGA 400/ePM1 60%**

Ref. no. 40074

**Important note**

Further information on accessories can be found on page 142.