

Description for all types

- Casing**
 Made of galvanised steel sheet. Type HQ has additional two layer lacquer coating in papyrus white. Explosion-proof types have no lacquer coating.
- Impeller**
 High performance characteristics with profiled blades made of plastic, dynamically balanced. Different for explosion-proof types.
- Drive**
 Closed die-cast aluminium casing. Protection category IP55. Ball bearing mounted. Maintenance-free and radio interference-free. Winding with moisture proof coating. See type table for max. air flow temperature. Different for explosion-proof types.

- Motor protection**
 All types (except for explosion-proof, see page 180) are equipped with thermal contacts. These should be wired with the motor protection circuit breaker (see type table) for effective motor protection.
- Electrical connection**
 Standard terminal box (IP55) on back of motor. Additionally on outside of duct for HRF types. Different for explosion-proof types.
- Protection grille**
 Made of powder-coated steel wire for HQ (Ex types galvanised). In accordance with DIN EN ISO 13857.

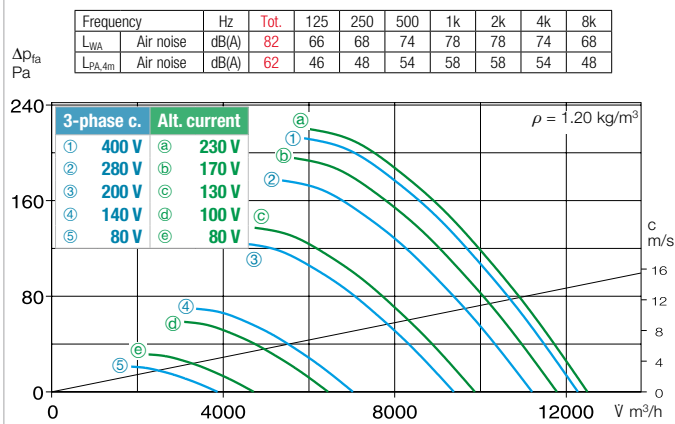
- Power control**
 The voltage-controllable types are identified in the "Current consumption max. with control" column with a value which must be observed when determining the controller (see speed controller column). Possible assignments of frequency inverters to fans are shown in the type table. The planned use of a frequency inverter without a sine filter should be indicated when placing the order. This requires a change of fan version and additional costs, if necessary. The flow rates are shown in the performance diagram.
- Reverse operation**
 All types are reversible using a reverser switch. Performance reduction of approx. 1/3 in abnormal flow direction.

- Installation**
 Installation possible in any position, but be aware of any condensate drain holes depending on usage.
- Dimensions**
 Pole-changeable and explosion-proof types may differ from the above information.
- Noise levels**
 See performance diagram. The sound power and sound pressure at 4 m distance under free field conditions are specified for the average operating point on the inlet/outlet side. See page 14 f for noise emissions and room acoustics. Different for explosion-proof types.

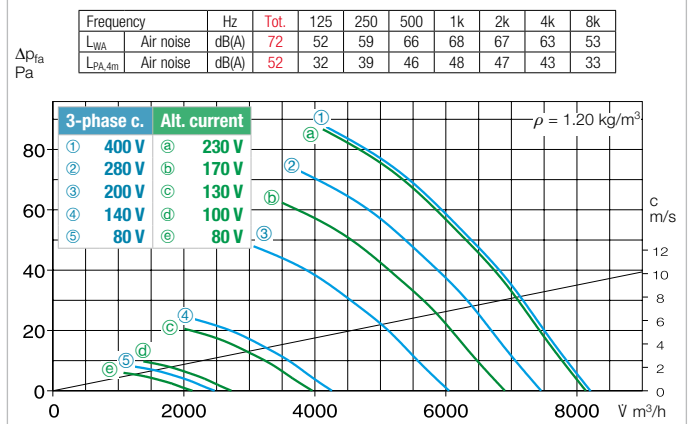
Speed	Flow rate free-blowing	Power consump.	Current consump.		Wiring diagram	Max. air flow temp.		Weight net aprx.	Design type				Frequency inverter with integrated sine filter	Transformer speed controller 5-step, pole changing switch, speed ch., pole changing switch		
			at rated voltage	max. with control		at rated voltage	with control		HQ incl. prot. grille	Ref. no.	HRF	Ref. no.		Type	Ref. no.	Type
min ⁻¹	∇ m ³ /h	W	A	A	No.	+ °C	+ °C	kg								
Single-phase alternating current, 230 Volt, 50 Hz, Capacitor motor, protection category IP55																
935	8130	0.27	1.40	2.00	475 ¹⁾	60	40	24.0	HQW 560/6	00385	HRFW 560/6¹⁾	00380	—	MWS 3²⁾	01948	
1370	12180	0.89	4.15	5.00	965	60	40	31.0	HQW 560/4	05054	HRFW 560/4	05055	—	MWS 7.5²⁾	01950	
Three-phase current, 400 Volt, 50 Hz, Squirrel-cage rotor, protection category IP55																
965	8180	0.28	0.79	1.00	469	60	40	26.0	HQD 560/6	00386	HRFD 560/6	00381	FU-BS 2.5²⁾	05459	RDS 2²⁾	01315
1365	12250	0.88	1.71	1.80	469	40	40	29.0	HQD 560/4	00387	HRFD 560/4	00382	FU-BS 2.5²⁾	05459	RDS 2²⁾	01315
Pole-changeable, 2 speeds, three-phase current, Dahlander winding, 400 Volt, 50 Hz, protection category IP55																
470/955	4000/8130	0.089/0.298	0.55/0.74	—	472	60	—	24.0	HQD 560/12/6	00389	HRFD 560/12/6	00384	—	PDA 12²⁾	05081	
720/1365	6400/12130	0.20/0.92	0.80/1.77	—	472	40	—	26.0	HQD 560/8/4	00388	HRFD 560/8/4	00383	—	PDA 12²⁾	05081	
Explosion-proof, II 2G Ex h IIB + H₂ T3 Gb, Motor Ex e, three-phase current 400 Volt, 50 Hz, protection category IP55																
925	8090	0.25*	0.80*	—	470	40	—	23.0	HQD 560/6 Ex	00378	HRFD 560/6 Ex	00376	—		Not permitted	
1445	12890	0.75*	3.20*	—	470	40	—	24.0	HQD 560/4 Ex	00379	HRFD 560/4 Ex	00377	—		Not permitted	

* For Ex types: Motor ratings see information on page 20. ¹⁾ Type HRFW: Connection according to wiring diagram no. 965. ²⁾ Incl. motor protection circuit breaker. ³⁾ Flush-m. version see Switch product page.

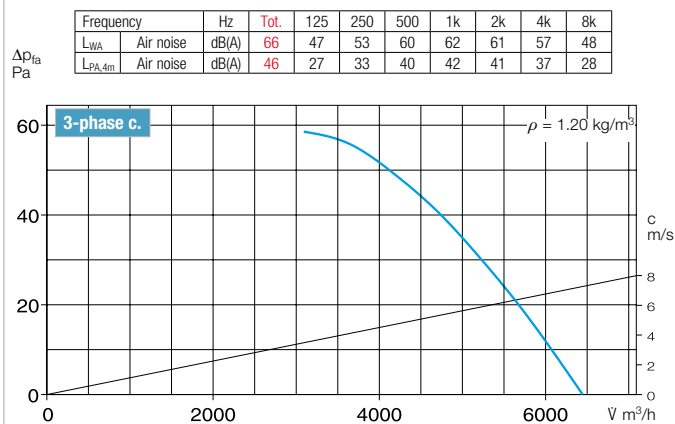
Performance curves 560/4



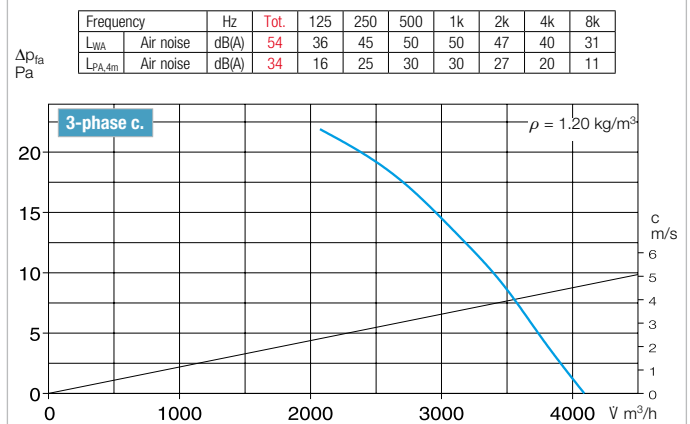
Performance curves 560/6



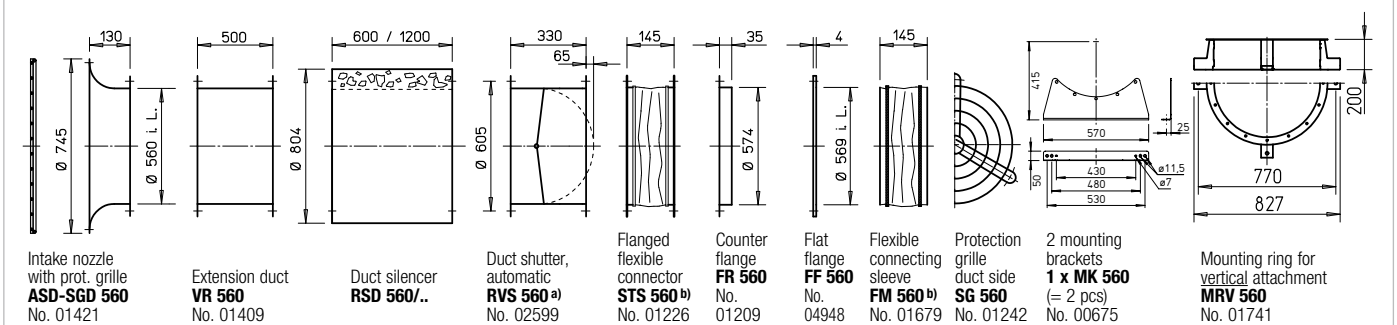
Performance curve 560/8



Performance curve 560/12



Accessories for HRF 560 Description see page 276 ff.



a) Shutter, motorised see Accessories product pages.

b) See below for types for explosion-proof fans.

Type	Ref. no.	Type	Ref. no.	Type	Ref. no.
Electronic speed controller, continuously variable flush-m./surface-m.		Motor protection circuit breaker for connecting built-in thermal contacts		Reverser switch	
ESU 3/ESA 3	00237/00239	MW	01579	WS	01271
ESU 5/ESA 5	01296/01299	MW	01579	WS	01271
ESD 5 a)	00501	MD	05849	WS	01271
ESD 5 a)	00501	MD	05849	WS	01271
—	—	M 3 a)	01293	PWDA	01282
—	—	M 3 a)	01293	PWDA	01282
not permitted	—	—	—	—	—
not permitted	—	—	—	—	—

a) Incl. speed pole changing switch.

Reference	Page
Techn. description	180
Selection table	181
Planning information	14 ff.
Special design	
Different voltage, protection category, air flow direction, higher air flow temperature, acid protection and impeller made of cast aluminium upon request.	
The technical information on p. 19 ff. must be observed.	

Other accessories	Page
b) Access. for expl.-proof fans	
Flanged flexible connector STS 560 Ex	Ref. no. 02508
Silencers	494 ff.
Shutters and ventilation grilles	561 ff.
Speed controllers, controllers and switches	599 ff.
Flexible connecting sleeve FM 560 Ex	Ref. no. 01695