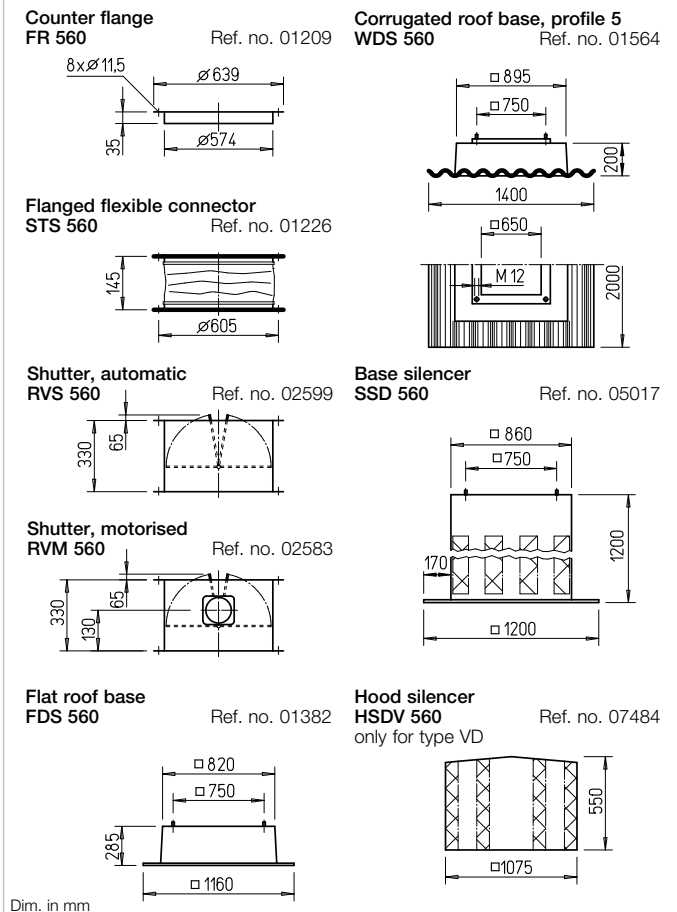


Dimensions Accessories for RD EC 560 / VD EC 560



Description RD EC

Horizontal outlet EC roof fan with efficiency-optimised aluminium casing and newly developed high-performance centrifugal impeller.

Description VD EC

Vertical outlet EC roof fan with efficiency-optimised aluminium casing and newly developed high-performance centrifugal impeller.

Common features RD EC and VD EC

- **Casing**
 Made of sea water-resistant aluminium with integrated tamper protection. Motor support plate and base plate with inlet nozzle made of galvanised steel. Base plate with threaded screws for attachment of inlet-side accessories (hole pattern according to DIN 24155).

- **Impeller**
 High-performance centrifugal impeller with backward curved blades made of plastic. Dynamically balanced according to DIN ISO 21940-11 – quality grade 6.3.

- **Drive**
 Energy-saving, speed-controllable EC external rotor motor with the highest level of efficiency. Maintenance-free and radio interference-free, ball bearing mounted.

- **Motor protection**
 Integrated electronic temperature monitoring system for EC motor and electronics.

- **Electrical connection**
 ND 315 – 630 to external terminal box and isolator in protection category IP65.

- **Protection grille**
 On outlet side as standard according to DIN EN ISO 13857.

- **Power control**
 Continuously variable speed control via internal (delivery) or external potentiometer or continuously variable speed control with universal control system.

■ **Delivery**

Units are ready-for-connection, fully pre-assembled in the shipping box /wooden crate.

■ **Noise**

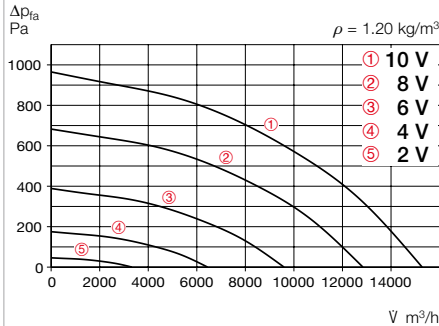
The total level and range are specified above the performance diagram for:

- Inlet side sound power
 - Outlet side sound power.
- The case-radiated noise as sound pressure at 4 m (free field conditions) is also specified in the type table and the table below the performance curve.

References	Page
Planning information	14 ff.
Technical description	499 f.
Selection table	501 f.
Accessories, details	558 f.
Universal control systems, electronic controllers, speed potentiometer	613 ff.

Performance curves RDD EC 560

Frequency	Hz	Tot.	125	250	500	1k	2k	4k	8k	
L _{WA} Inlet side		dB(A)	80	69	71	72	73	72	68	61
L _{WA} Outlet side		dB(A)	85	73	76	78	79	76	69	60

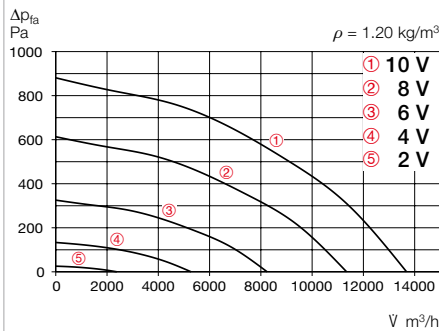


Free blowing						
Voltage V	n min ⁻¹	V m ³ /h	P W	I A	Lp dB(A)	SFP kW/m ³ /s
10	1300	15290	1970	3.10	67	0.46
8	1100	13860	1180	2.00	64	0.33
6	820	9600	530	1.10	57	0.19
4	550	6550	180	0.51	47	0.10

Type	Ref. no.	Speed	Flow rate Free blowing	Noise sound pressure	Power consumption	Current consump.		Wiring diagram	Max. air flow temp.		Wgt net	Speed potentiometer			
						at rated voltage	with control		at rated voltage	with control		Flush-mounted		Surf.-mounted	
		min ⁻¹	m ³ /h	dB(A) in 4 m	W	A	A	No.	°C	°C	kg	Type	Ref. no.	Type	Ref. no.
Three phase current, 3~, 400 V, 50 Hz, EC motor, protection category IP54															
RDD EC 560	07435	1300	15287	67	2900	4.45	4.45	1148	60	–	75	PU 24	01736	PA 24	01737

Performance curves VDD EC 560

Frequency	Hz	Tot.	125	250	500	1k	2k	4k	8k	
L _{WA} Inlet side		dB(A)	75	65	67	68	69	68	64	57
L _{WA} Outlet side		dB(A)	79	68	72	74	73	69	65	58



Free blowing						
Voltage V	n min ⁻¹	V m ³ /h	P W	I A	Lp dB(A)	SFP kW/m ³ /s
10	1260	13680	1914	2.93	62	0.50
8	1046	11345	1156	1.82	58	0.37
6	765	8246	534	1.02	51	0.23
4	489	5279	200	0.44	41	0.14

Type	Ref. no.	Speed	Flow rate Free blowing	Noise sound pressure	Power consumption	Current consump.		Wiring diagram	Max. air flow temp.		Wgt net	Speed potentiometer			
						at rated voltage	with control		at rated voltage	with control		Flush-mounted		Surf.-mounted	
		min ⁻¹	m ³ /h	dB(A) in 4 m	W	A	A	No.	°C	°C	kg	Type	Ref. no.	Type	Ref. no.
Three phase current, 3~, 400 V, 50 Hz, EC motor, protection category IP54															
VDD EC 560	07433	1300	13680	62	2660	4.1	4.1	1148	60	–	75	PU 24	01736	PA 24	01737