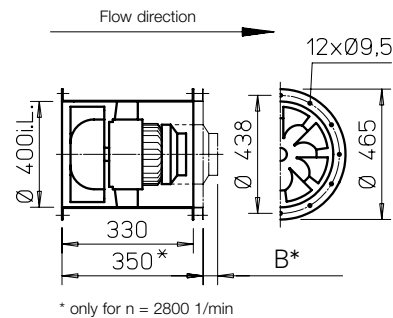


VAR 400



Also available in version:

Dimensions VAR 400



Dim. B see table
 Dim. in mm

■ Casing

Duct with double-sided flange DIN 24155 p. 3. Made of galvanized steel sheet, fixed guide wheel with inner hub for mounting the flange motor. Types with $n = 2800 \text{ min}^{-1}$ welded casing, hot-dip galvanized.

■ Impeller

Optimised for high pressure and volume performance. Special development with spatially curved blades made of hot-dip galvanized steel.

■ Drive

Directly through maintenance-free flange motor. Closed design type IP54. Aluminium or grey cast iron casing with cooling fins. Radio interference-free, sealed ball bearings. Tropicalised winding with moisture proof coating. With condensate drain holes upon request (except for explosion-proof types), and the installation method must be indicated when placing the order.

■ Power control

The voltage-controllable types are identified in the "Current consumption with control mode" column with a value which must be observed when determining the controller (see Speed controller column). The flow rates are shown in the performance diagram. The planned use of a frequency inverter without a sine filter should be indicated when placing the order. This requires a change of fan version and additional costs, if necessary. Explosion-proof types are not controllable.

■ Electrical connection

Standard terminal box (protection category IP55) on outside of duct.

■ Installation

Installation possible in any position; but be aware of any condensate drain holes depending on usage.

■ Motor protection

All types (except for explosion-proof models and type VARD 400/4/2) are equipped with thermal contacts. These should be wired with the motor protection circuit breaker (see type table) for effective motor protection. Motors without thermal contacts must be protected by means of on-site a motor protection circuit breaker.

■ Noise levels

See sound power information above performance diagram. The lower sound pressure value can be determined using the diagram on the "Technical information" page. See page 14 f for noise emissions and room acoustics.

■ Reference Page

Techn. description	254
Selection table	255
Planning information	14 ff.

■ Special design

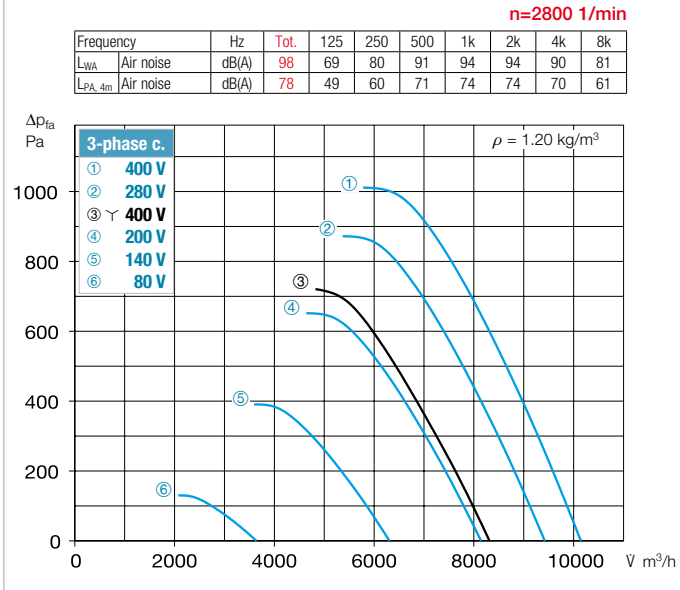
Different voltage, frequency, protection category, higher air flow temperature and acid protection upon request.

The technical information on p. 19 ff. must be observed.

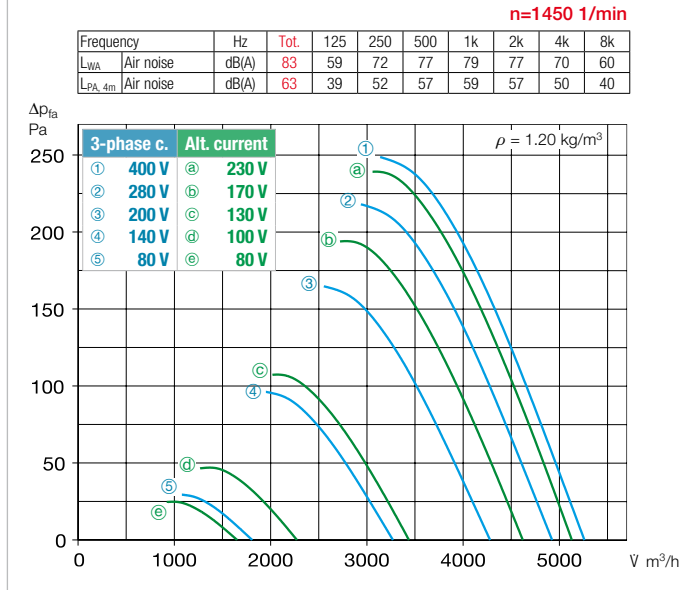
Type	Ref. no.	Speed min ⁻¹	Flow rate free-blow. V m ³ /h	Power consump.* kW	Voltage V	Current consumption*		Wiring diagram No.	Max. air flow temp.		Weight net ca. kg	Dim. B Motor protru- sion mm	Speed controller 5-step Pole chang. switch		Motor pro- tection circuit breaker for connecting built-in thermal contacts		Vibration dampers		
						at rated voltage A	with control A		at rated voltage +°C	with control +°C			Type	Ref. no.	Type	No.	Compr. Type	Tens. Type	
Single-phase alternating current, 50 Hz, protection category IP54																			
VARW 400/4	06688	1375	5130	0.70	230	3.00	3.35	967	60	40	22.5	-	MWS 5 ¹⁾	01949	MW	01579	SDD 1	SDZ 1	
Three-phase current, 50 Hz, protection category IP54																			
VARD 400/4	06690	1400	5240	0.72	400	1.95	2.00	469	60	40	22.5	-	RDS 4 ^{1) 2)}	01316	MD	05849	SDD 1	SDZ 1	
Two-speed, three-phase current, 50 Hz, γ/Δ connection, protection category IP54																			
VARD 400/2/2	06691	2475/2800	8320/10610	3.63/4.95	400 γ/Δ	5.75/7.95	-	520	60	40	74.0	202	RDS 11 ³⁾	01332	M 4 ²⁾	01571	SDD 1	SDZ 2	
Pole-changeable, 2 speeds (Dahlander winding $\gamma/\gamma\gamma$), Three-phase current, 50 Hz, protection category IP54																			
VARD 400/4/2	06782	1400/2890	5220/10700	0.80/5.90	400	2.43/9.13	-	471	40	-	74.0	207	PDA 12 ³⁾	05081	-	-	SDD 1	SDZ 2	
Ex Explosion-proof, II 2G Ex h IIB T3 Gb, Motor Ex e, three-phase current 400 Volt, 50 Hz, protection category IP55																			
VARD 400/6 Ex	06692	925	3465	0.25	400	0.80	-	470	40	-	21.0	-	not permitted	not permitted	SDD 1	SDZ 1			
VARD 400/4 Ex	06693	1440	5360	0.55	400	1.32	-	470	40	-	25.0	-	not permitted	not permitted	SDD 1	SDZ 1			
VARD 400/2 Ex ⁴⁾	06694	2920	10950	4.60	400	9.10	-	498	40	-	83.0	255	not permitted	not permitted	SDD 2	SDZ 2			

* For Ex types: Motor ratings see information on page 20. ¹⁾ incl. motor protection circuit breaker. ²⁾ includes operating and speed switch. ³⁾ Flush-m. version see Switch product page.
⁴⁾ A vibration monitoring system (on-site) must be provided according to DIN EN 14986. ⁵⁾ Frequency inverter with integrated sine filter, Type FU-BS 2.5, No. 05459, see product page FU.

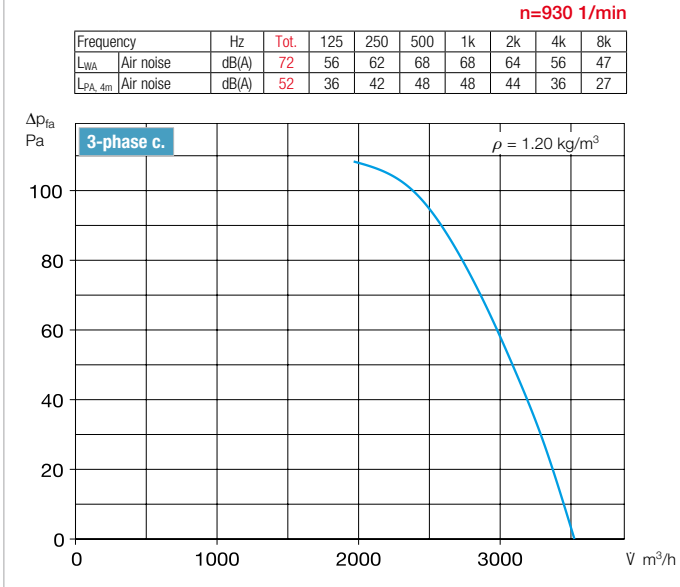
Performance curves VAR 400/2



Performance curves VAR 400/4



Performance curve VAR 400/6



Other accessories Page

Access. for expl.-proof fans

Flanged flexible connector STS 400 Ex Ref. no. 02505

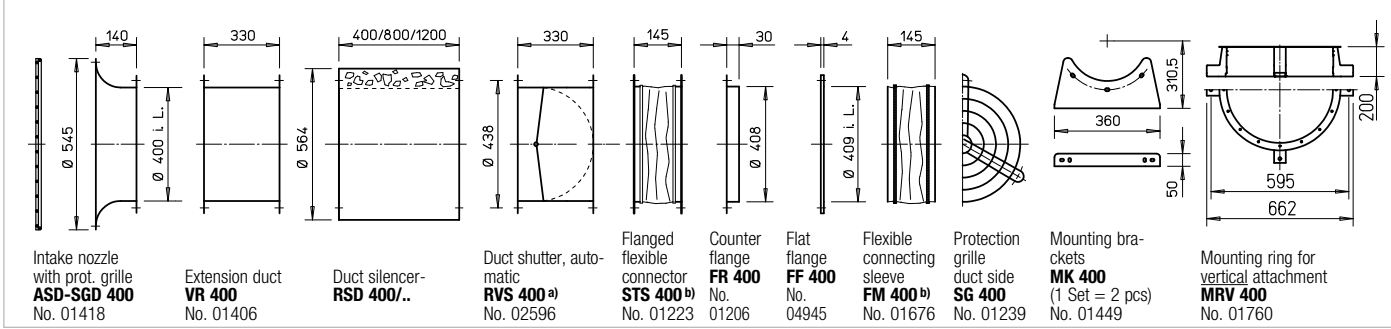
Flexible connecting sleeve FM 400 Ex Ref. no. 01692

Filters and silencers 481 ff.

Shutters and ventilation grilles 561 ff.

Speed controllers, controllers and switches 599 ff.

Accessories VAR 400 Description see page 276 ff.



^{a)} Shutter, motorised see Accessories product pages. ^{b)} Types for explosion-proof fans see left page.

Axial and VAR fans