

Description for all types

- **Casing**
 With motor mount made of galvanized steel sheet.
- **Impeller**
 High performance characteristics with profiled blades made of plastic, dynamically balanced. Different for explosion-proof types.
- **Angle of attack**
 The impeller blades can be adjusted for optimal operating point coverage (except for explosion-proof types). The angle of attack is adjusted (according to the order) and fixed at the factory. The motor is assigned according to the information in the table below. The specified angle of attack must not be exceeded.

- **Drive**
 Closed design type IP55 or IP54. Maintenance-free and radio interference-free. Tropicalised winding with moisture proof coating. Different for explosion-proof types.
- **Motor protection**
 All types (Ref. no. 05380 Ref. no. 06996 and explosion-proof, see page 180) are equipped with thermal contacts or PTC thermistors and must be protected by means of the following motor protection devices according to the footnotes the table:
⁴⁾MSA, Ref. no. 01289 (for PTC thermistor temperature sensor)
⁵⁾M 4, Ref. no. 01571
 All other types must be protected by means of on-site a motor protection circuit breaker.

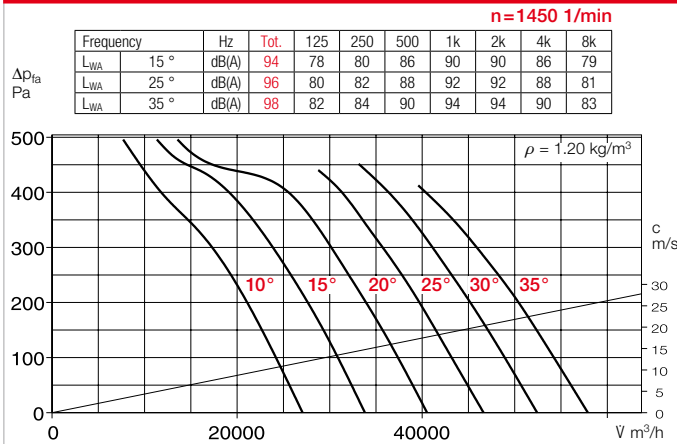
- **Electrical connection**
 Terminal box in protection category IP54 mounted on motor.
- **Protection grille**
 Hot-dip galvanised for AVD DK as standard in accordance with DIN EN ISO 13857.
- **Power control**
 Partly through voltage reduction, see "Transformer speed controller" column. Regulated performance performance curve upon request. Frequency inverter possible for all types (except for pole-changeable and explosion-proof types). The planned use of a frequency inverter without a sine filter should be indicated when placing the order. This requires a change of fan version and additional costs, if necessary.

- **Reverse operation**
 All types are reversible using a reverser switch. Performance reduction of approx. 1/3 in abnormal flow direction.
- **Installation**
 Installation possible in any position, but be aware of any condensate drain holes depending on usage.
- **Dimensions**
 Pole-changeable and explosion-proof types may differ from the above information. Motor lengths may vary. Take note of dim. B protrusion.
- **Noise levels**
 The sound power values over the frequency and as total levels are indicated above the performance diagrams. Different for explosion-proof types.

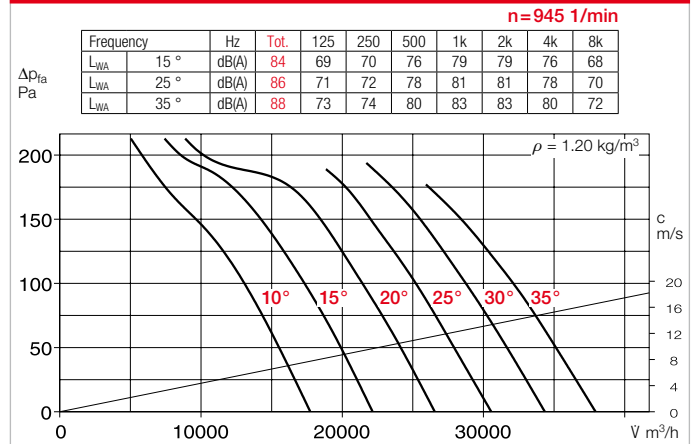
Speed	Flow rate free blowing	Rated motor power (output)*	Voltage	Current consump. Rat. volt./ (control)*	Max. position	Wiring dia-gram	Max. air flow temp.	Wgt net appr.**	Design type							
									AVD DK incl. protection grille	Ref. no.	Dim. B Motor protr. in mm	AVD RK	Ref. no.	Dim. B Motor protr. in mm	Transformer speed controller 5-step, pole changing switch	
min ⁻¹	V m ³ /h	kW	V	A	° deg.	No.	+ °C	kg	Type	Ref. no.						
Three-phase current, 50 Hz, Squirrel-cage rotor, protection category IP54																
950	37300	3.00*	400/690	6.2*	34	776	40	130	AVD DK 900/6/.. ⁴⁾	05369	290	AVD RK 900/6/.. ⁴⁾	06985	290	—	
1445	35030	4.00*	400/690	8.3*	16	776	40	118	AVD DK 900/4/.. ⁴⁾	05370	210	AVD RK 900/4/.. ⁴⁾	06986	210	—	
1450	48995	7.50*	400/690	14.5*	27	776	40	142	AVD DK 900/4/.. ⁴⁾	05371	325	AVD RK 900/4/.. ⁴⁾	06987	325	—	
1470	57720	11.00*	400/690	20.0*	34	776	40	186	AVD DK 900/4/.. ⁴⁾	05372	385	AVD RK 900/4/.. ⁴⁾	06988	385	—	
Two-speed, three-phase current, 400 V, 50 Hz, √3 connection, protection category IP55																
775/930	18390/22660	0.71/1.32*	400/400	2.1/4.0*	19	520	40	90	AVD DK 900/6/6.. ⁵⁾	05367	180	AVD RK 900/6/6.. ⁵⁾	06983	180	RDS 7 ²⁾	01578
770/920	25990/31060	1.38/2.37*	400/400	3.9/7.1*	27	520	40	115	AVD DK 900/6/6.. ⁵⁾	05368	210	AVD RK 900/6/6.. ⁵⁾	06984	210	RDS 11 ²⁾	01332
Pole-changeable, 2 speeds, three-phase current, 50 Hz, protection category IP54																
700/1435	18270/37450	1.10/4.50*	400/400	2.9/9.6*	18	471	40	120	AVD DK 900/8/4.. ¹⁾	05379	290	AVD RK 900/8/4.. ¹⁾	06995	290	PDA 12 ³⁾	05081
715/1450	22390/45410	1.80/6.50*	400/400	5.7/14.5*	24	471	40	148	AVD DK 900/8/4.. ¹⁾	05380	325	AVD RK 900/8/4.. ¹⁾	06996	325	PDA 25 ³⁾	05060
Explosion-proof, II 2G Ex h IIB + H₂ T₃ Gb, Motor Ex e, three-phase current 400 Volt, 50 Hz, protection category IP55																
700	24470	0.95*	400	2.8*	27	470	40	110	AVD DK 900/8 Ex/..	05386	180	AVD RK 900/8 Ex/..	06899	180	not permitted	
725	28470	1.3*	400	3.9*	34	470	40	130	AVD DK 900/8 Ex/..	05387	210	AVD RK 900/8 Ex/..	06900	210	not permitted	
950	30550	1.90*	400	4.7*	25	470	40	135	AVD DK 900/6 Ex/..	05389	210	AVD RK 900/6 Ex/..	06901	210	not permitted	
960	38040	3.50*	400/690	7.4*	35	498	40	160	AVD DK 900/6 Ex/..	05390	290	AVD RK 900/6 Ex/..	06902	290	not permitted	
1450	46630	6.80*	400/690	13.6*	25	498	40	175	AVD DK 900/4 Ex/..	05392	325	AVD RK 900/4 Ex/..	06903	325	not permitted	
1465	55240	10.00*	400/690	19.8*	32	498	40	235	AVD DK 900/4 Ex/..	05393	385	AVD RK 900/4 Ex/..	06904	385	not permitted	

* Motor ratings, see information p. 20. ¹⁾ Dahlander winding. ²⁾ Incl motor protection circuit breaker. ³⁾ Flush-m. version see Switch product page.
⁴⁾ and ⁵⁾ Motor protection devices, see description "Motor protection".

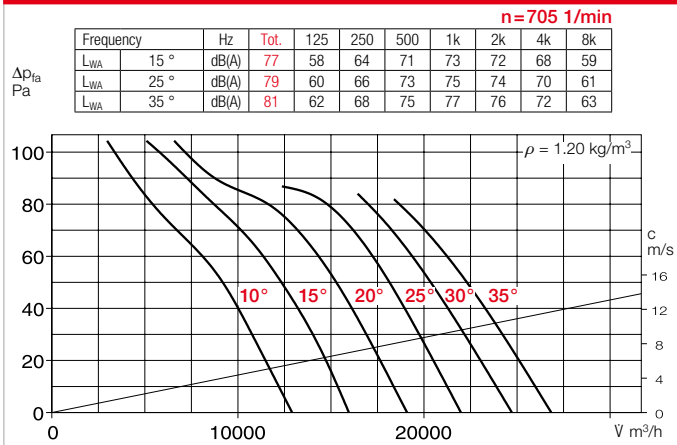
Performance curves 900/4



Performance curves 900/6

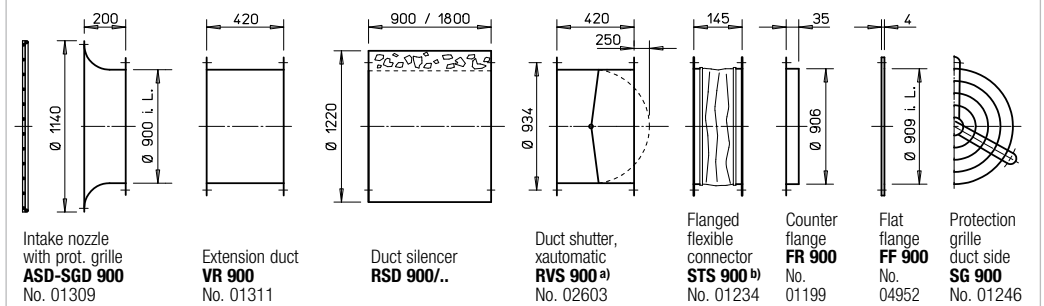


Performance curves 900/8



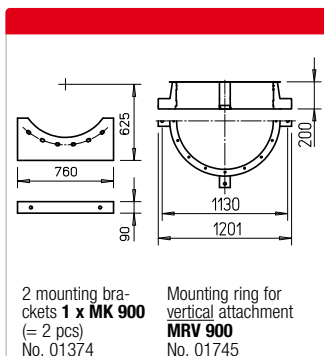
Axial and VAR fans

Accessories for AVD RK 900 Description see page 276 ff.



a) Shutter, motorised see Accessories product pages.

b) See below for types for explosion-proof fans.



Reference	Page
Techn. description	180
Selection table	181
Planning information	14 ff.

Special design
Different voltage, protection category, air flow direction, higher air flow temperature, acid protection and impeller made of cast aluminium upon request.

Other accessories	Page
-------------------	------

b) Access. for expl.-proof fans	
Flanged flexible connector STS 900 Ex	Ref. no. 02512
Silencers	494 ff.
Shutters and ventilation grilles	561 ff.
Speed controllers, controllers and switches	599 ff.