

Description for all types

- **Casing**
 With motor mount made of galvanized with motor sheet.
- **Impeller**
 High performance characteristics with profiled blades made of plastic, dynamically balanced. Different for explosion-proof types.
- **Angle of attack**
 The impeller blades can be adjusted for optimal operating point coverage (except for explosion-proof types). The angle of attack is adjusted (according to the order) and fixed at the factory. The motor is assigned using the maximum power according to the information in the table below. The specified angle of attack must not be exceeded.

- **Drive**
 Closed design type IP55 or IP54. Maintenance-free and radio interference-free. Tropicalised winding with moisture proof coating. Different for explosion-proof types.
- **Motor protection**
 All types (except for pole-changeable and explosion-proof types, see page 180) are equipped with thermal contacts or PTC thermistors and must be protected by means of the following motor protection devices according to the footnotes the table:
⁴⁾MSA, Ref. no. 01289 (for PTC thermistor temperature sensor)
⁵⁾M 4, Ref. no. 01571
 All other types must be protected by means of on-site a motor protection circuit breaker.

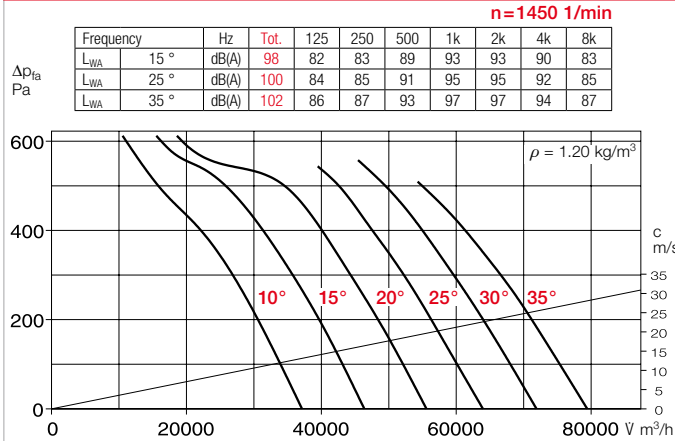
- **Electrical connection**
 Terminal box in protection category IP54 mounted on motor.
- **Protection grille**
 Hot-dip galvanised for AVD DK as standard in accordance with DIN EN ISO 13857.
- **Power control**
 Partly through voltage reduction, see "Transformer speed controller" column. Regulated performance performance curve upon request.
 Frequency inverter possible for all types (except for pole-changeable and explosion-proof types). The planned use of a frequency inverter without a sine filter should be indicated when placing the order. This requires a change of fan version and additional costs, if necessary.

- **Reverse operation**
 All types are reversible using a reverser switch. Performance reduction of approx. 1/3 in abnormal flow direction.
- **Installation**
 Installation possible in any position, but be aware of any condensate drain holes depending on usage.
- **Dimensions**
 Pole-changeable and explosion-proof types may differ from the above information. Motor lengths may vary. Take note of dim. B protrusion.
- **Noise levels**
 The sound power values over the frequency and as total levels are indicated above the performance diagrams. Different for explosion-proof types.

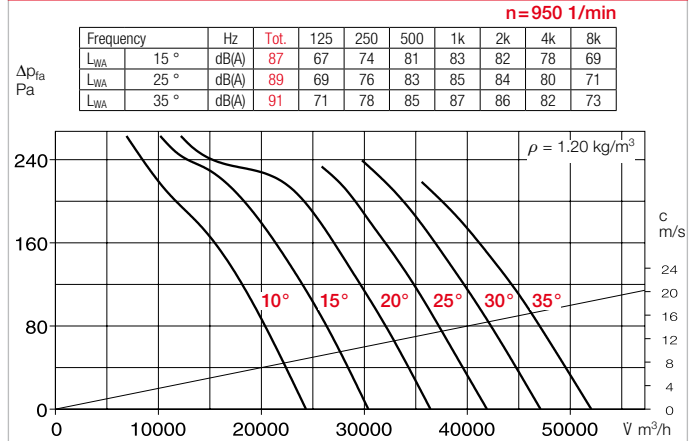
Speed min ⁻¹	Flow rate free blowing V m ³ /h	Rated motor power (output)* kW	Voltage V	Current consump. Rat. volt./ (control)* A	Max. position ° deg.	Wiring dia- gram No.	Max. air flow temp. + °C	Wgt net aprx.** kg	Design type							
									AVD DK incl. protection grille		AVD RK		Transformer speed controller 5-step, pole changing switch		Type	Ref. no.
Three-phase current, 50 Hz, Squirrel-cage rotor, protection category IP54																
950	39720	3.0*	400/690	6.2*	23	776	40	120	AVD DK 1000/6/.. ⁴⁾	05398	290	AVD RK 1000/6/.. ⁴⁾	05573	290	—	—
955	46320	4.0*	400/690	9.2*	29	776	40	127	AVD DK 1000/6/.. ⁴⁾	05399	325	AVD RK 1000/6/.. ⁴⁾	05574	325	—	—
955	52450	5.5*	400/690	12.4*	35	776	40	145	AVD DK 1000/6/.. ⁴⁾	05400	325	AVD RK 1000/6/.. ⁴⁾	05575	325	—	—
1470	61460	11.0*	400/690	20.0*	23	776	40	160	AVD DK 1000/4/.. ⁴⁾	05401	385	AVD RK 1000/4/.. ⁴⁾	05576	385	—	—
1470	71290	15.0*	400/690	26.0*	29	776	40	195	AVD DK 1000/4/.. ⁴⁾	05402	430	AVD RK 1000/4/.. ⁴⁾	05577	430	—	—
1475	79440	18.5*	400/690	35.0*	34	776	40	210	AVD DK 1000/4/.. ⁴⁾	05403	465	AVD RK 1000/4/.. ⁴⁾	05578	465	—	—
Pole-changeable, 2 speeds, three-phase current, 50 Hz, protection category IP54										Pole changing switch						
715/1440	27410/55210	2.2/9.0*	400/400	7.2/19.0*	20	471	40	165	AVD DK 1000/8/4.. ¹⁾	05407	385	AVD RK 1000/8/4/.. ¹⁾	05582	385	PDA 25 ³⁾	05060
715/1445	32325/65330	3.0/12.0*	400/400	9.4/25.0*	26	471	40	190	AVD DK 1000/8/4.. ¹⁾	05408	415	AVD RK 1000/8/4/.. ¹⁾	05583	415	PDA 63 ³⁾	01283
Explosion-proof, II 2G Ex h IIB + H₂, T3 Gb, Motor Ex e, three-phase current 400 Volt, 50 Hz, protection category IP55																
955	43180	3.5*	400/690	7.4*	26	498	40	130	AVD DK 1000/6 Ex/..	05415	325	AVD RK 1000/6 Ex/..	05590	325	not permitted	—
960	52730	6.6*	400/690	13.4*	35	498	40	155	AVD DK 1000/6 Ex/..	05416	400	AVD RK 1000/6 Ex/..	05591	400	not permitted	—

* Motor ratings, see information p. 20. ¹⁾ Dahlander winding. ²⁾ Incl motor protection circuit breaker. ³⁾ Flush-m. version see Switch product page.
⁴⁾ and ⁵⁾ Motor protection devices, see description "Motor protection".

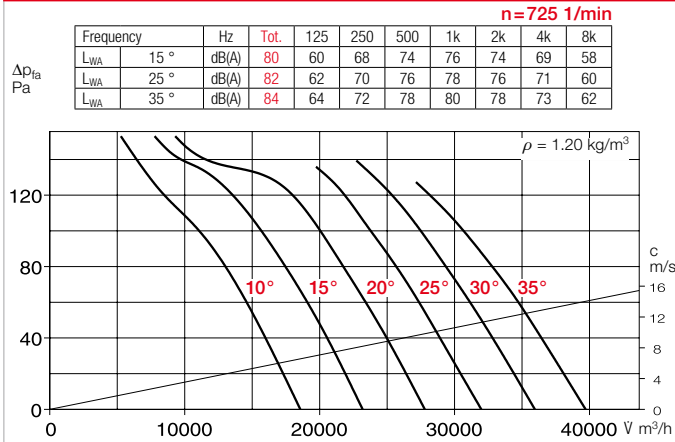
Performance curves 1000/4



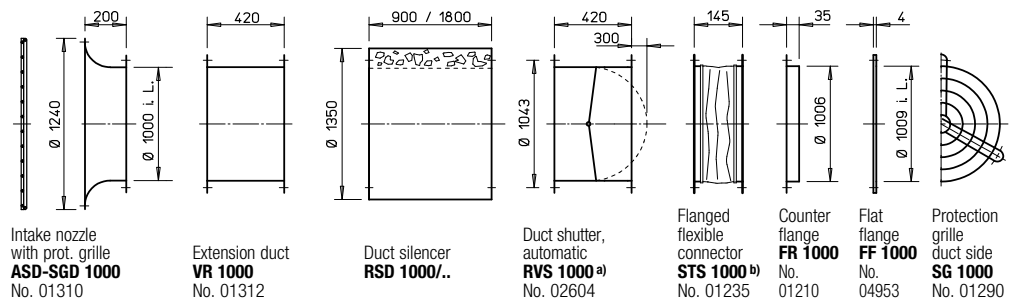
Performance curves 1000/6



Performance curves 1000/8



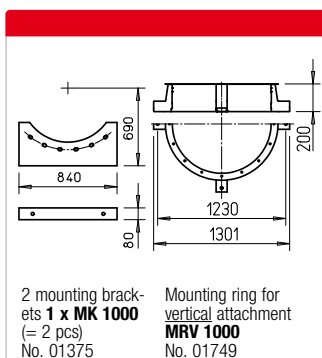
Accessories for AVD RK 1000 Description see page 276 ff.



^{a)} Shutter, motorised see Accessories product pages.

^{b)} See below for types for explosion-proof fans.

Elec. speed controller, continuously variable Frequency inverter with sine filter		Vibration damper Nominal size SDD/SDZ	
Type	Ref. no.	Type	Ref. no.
FU-BS 8.0²⁾	05461	..2/..2	01453/01455
FU-BS 10.0²⁾	05462	..2/..2	01453/01455
FU-BS 10.0²⁾	05462	..2/..2	01453/01455
FU-CS 22²⁾	05470	..3/..3	01367/01366
FU-CS 32²⁾	05471	..3/..3	01367/01366
FU-CS 40²⁾	05472	..3/..3	01367/01366
—	—	..3/..3	01367/01366
—	—	..3/..3	01367/01366
not permitted	..2/..2	01453/01455	
not permitted	..2/..2	01453/01455	



Reference	Page
Techn. description	180
Selection table	181
Planning information	14 ff.

Special design
 Different voltage, protection category, air flow direction, higher air flow temperature, acid protection and impeller made of cast aluminium upon request.

Other accessories	Page
^{b)} Access. for expl.-proof fans	
Flanged flexible connector STS 1000 Ex	Ref. no. 02513
Silencers	494 ff.
Shutters and ventilation grilles	561 ff.
Speed controllers, controllers and switches	599 ff.