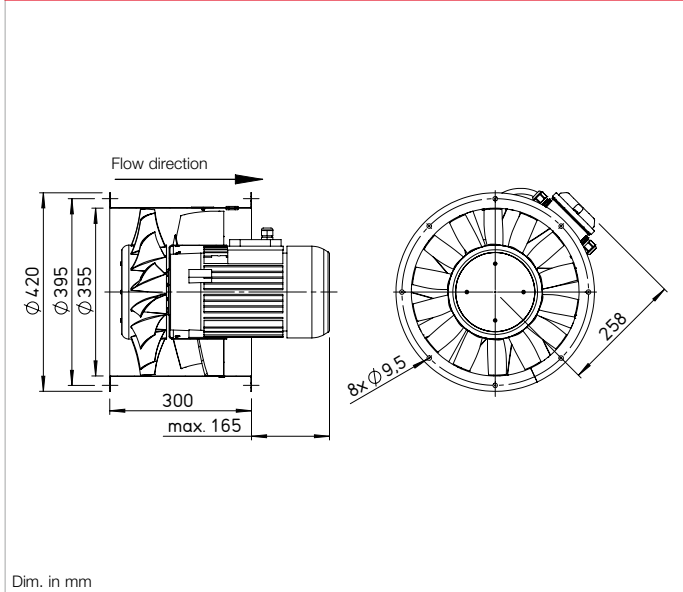


AMD and AMW 355



Dimensions AMD and AMW 355



Dim. in mm

■ **Casing**

Duct with double-sided flange DIN 24155 p. 3. Made of galvanized steel sheet, fixed guide wheel with inner hub for mounting the flange motor.

■ **Impeller / guide wheel**

Impeller with 3D profiled blades and integrated flow geometry made of high-quality plastic. An optimised guide wheel made of galvanised steel is connected to the impeller. The impeller and guide wheel are efficiency-optimised and pressure-optimised for high volume flows by means of CFD. Dynamically balanced in accordance with ISO 21940-11. Operating range -30 to +60 °C.

■ **Drive**

Directly through maintenance-free flange motor. Closed design type IP54. Aluminium casing with cooling fins. Radio interference-free, sealed ball bearings. With condensate drain holes upon request and the installation method must be indicated when placing the order. Tropicalised winding with moisture proof coating upon request.

■ **Power control**

The voltage-controllable types are identified in the "Current consumption with control mode" column with a value which must be observed when determining the controller (see "speed controller" column). The flow rates are shown in the performance diagram. The planned use of a frequency inverter without a sine filter should be indicated when placing the order. This requires a change of fan version and additional costs, if necessary.

■ **Electrical connection**

Standard terminal box (protection category IP55) on outside of duct.

■ **Installation**

Installation possible in any position. Condensate drain holes in the motor depending on usage are possible upon request.

■ **Motor protection**

All types are equipped with thermal contacts. These should be wired with the motor protection circuit breaker (see type table) for effective motor protection.

■ **Noise levels**

See performance diagram. The sound power and sound pressure at 4 m distance under free field conditions are specified for the average operating point on the inlet/outlet side. See page 14 f for noise emissions and room acoustics.

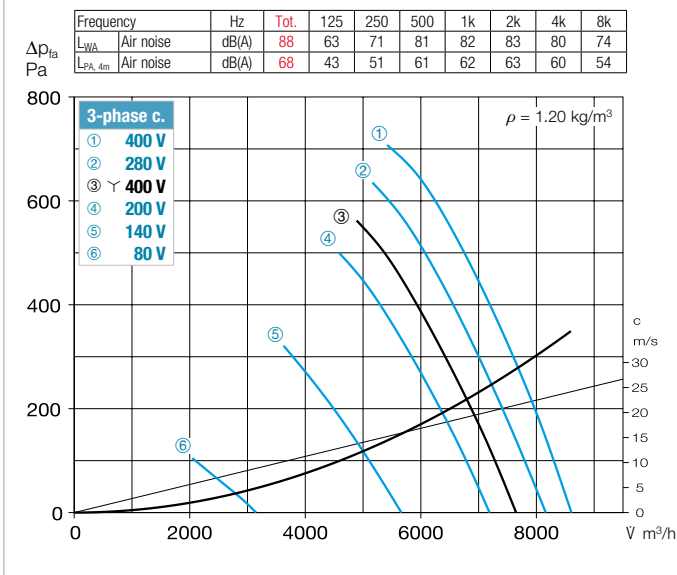
Reference	Page
Selection table	229
Planning information	14 ff.
<b>Special design</b>	
Different voltage, frequency, protection category, higher air flow temperature and acid protection upon request.	

Other accessories	Page
Installation accessories	276 ff.
Silencers	494 ff.
Switching and control technology	599 ff.

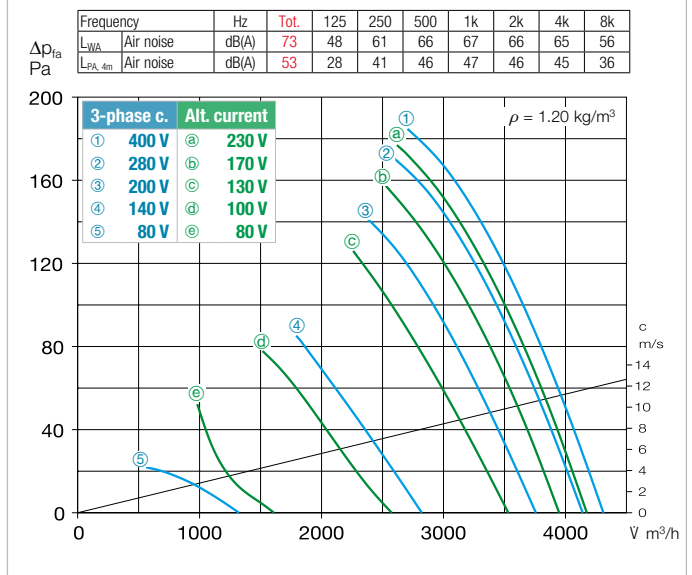
Type	Ref. no.	Speed min <sup>-1</sup>	Flow rate free blowing V m <sup>3</sup> /h	Power consump. kW	Voltage V	Current consumption		Wiring diagram No.	Max. air flow temp.		Weight net aprx. kg	Speed controller 5-step		Frequency inverter with integrated sine filter	
						at rated voltage A	with control A		at rated voltage + °C	with control + °C		Type	Ref. no.	Type	Ref. no.
<b>Single-phase alternating current, 50 Hz, protection category IP54</b>															
AMW 355/4	02275	1430	4170	0.4	230	1.8	2.4	968.1	60	40	16.9	MWS 3 <sup>1)</sup>	01948	—	—
<b>Three-phase current, 50 Hz, protection category IP54</b>															
AMD 355/4	02276	1445	4300	0.35	400	0.9	1.1	469	60	40	15.7	RDS 2 <sup>1)</sup>	01315	FU-BS 2.5	05459
<b>Two-speed, three-phase current, 50 Hz, Y/Δ connection, protection category IP54</b>															
AMD 355/2/2	02277	2200/2775	8610/7640	1.3/2.3	400/400	3.0/5.4	5.6	520	60	40	30.3	RDS 7 <sup>1)</sup>	01578	FU-BS 8.0	05461

<sup>1)</sup> incl. motor protection circuit breaker.

Performance curves AMD 355/2

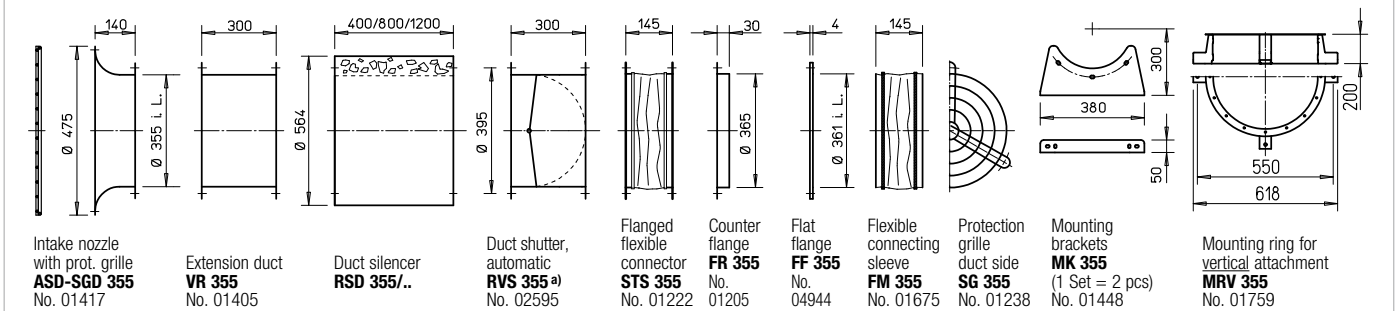


Performance curves AMD and AMW 355/4



\* Three-phase current noise data. Alternating current noise data see www.HeliosSelect.de.

Accessories AMD and AMW 355



a) Shutter, motorised see Accessories product pages. \* Type assignment see table, last column.

Motor protection circuit breaker for connecting built-in thermal contacts		Vibration dampers			
		Compression		Tension	
Type	Ref. no.	Type	Ref. no.	Type	Ref. no.
MW	01579	SDD 1	01452	SDZ 1	01454
MD	05849	SDD 1	01452	SDZ 1	01454
M 4	01571	SDD 1	01452	SDZ 1	01454