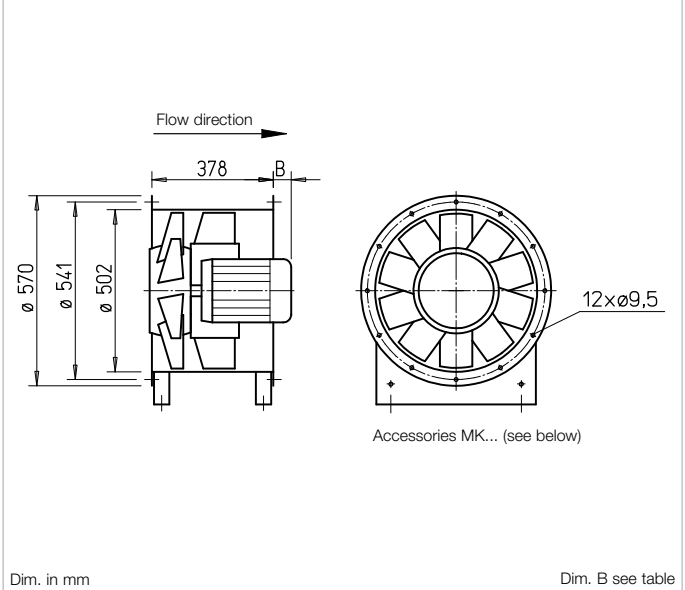


AMD 500



Dimensions AMD 500



**Casing**

Tubular casing with welded-in motor support plate and guide wheel made of steel sheet. Flanges pressed on both sides according to DIN 24155, p. 3, for direct intermediate flanges in pipelines. Surface protection from hot-dip galvanising.

**Impeller**

Hub and blades made of corrosion-resistant aluminium alloy. Dynamically balanced according to DIN ISO 21940-11, quality grade 6.3 for low-vibration operation. Ten aerodynamically profiled blades achieve the highest levels of efficiency and pressure rates in combination with the guide wheel. The angle of attack of the blades can be adjusted in the factory according to the ordered, optimal operating point.

**Drive**

Directly through efficient IE 3 three-phase current standard motor. Pole-changeable fans with IEC standard motor. Protection category IP55, insulation class F.

**Power control**

Continuously variable (0-100 %) through the use of a frequency inverter. The planned use of a frequency inverter without a sine filter should be indicated when placing the order. This requires a change of fan version and additional costs, if necessary.

**Electrical connection**

Standard terminal box (protection category IP55) made of plastic, mounted on the outside of the fan casing.

**Motor protection**

All AMD types come with PTC thermistors as standard motor protection. Effective motor protection is possible by means of motor protection circuit breaker (type MSA, Ref. no. 01289, accessories) or FU (accessories).

**Dimensions**

The motor protrudes over the casing for some types. The protrusion dim. B in mm pursuant to the type table must be taken into account.

**Noise levels**

The sound power values are specified over the frequency and as total levels for various angles of attack above the performance curves on the product pages.

**Reference Page**

Planning information 14 ff.

**Special design**

Special design w/ inspect. opening (extra charge) upon request.

**Other accessories Page**

Installation accessories 276 ff.  
Silencers 494 ff.  
Switching and control technology 599 ff.

Type	Ref. no.	Speed	Rated motor power (output)	Voltage	Current consump. nominal	Dim. B Motor protrusion	Wiring diagram	Max. air flow temp.	Weight net	Frequency inverter with integrated sine filter		Motor protection circuit breaker or pole changing switch	
										Type	Ref. no.	Type	Ref. no.
<b>Three-phase current, 400 V, 50 Hz, protection category IP55</b>													
AMD 500/4 0.75 kW	03118	1430	0.75	400	1.8	35	796	60	46	FU-BS 2.5	05459	MSA	01289
AMD 500/4 1.1 kW	03119	1440	1.1	400	2.5	60	796	60	50	FU-BS 5.0	05460	MSA	01289
AMD 500/4 1.5 kW	03122	1440	1.5	400	3.3	85	796	60	53	FU-BS 5.0	05460	MSA	01289
AMD 500/2 4 kW	03115	2910	4	400*	7.4	175	776	60	83	FU-BS 8.0	05461	MSA	01289
AMD 500/2 5.5 kW	03116	2940	5.5	400*	10.1	180	776	60	97	FU-BS 16	05463	MSA	01289
AMD 500/2 7.5 kW	03117	2930	7.5	400*	14.1	220	776	60	102	FU-BS 16	05463	MSA	01289
<b>Pole-changeable, 2 speeds, three-phase current, Dahlander winding <math>\gamma/\gamma\gamma</math>, 400 V, 50 Hz, protection category IP55</b>												Surface-mounted pole changing switch	
AMD 500/8/4 0.22/1.0 kW <sup>3)</sup>	03275	645/1390	0.22/1.0	400	0.9/2.4	60	777	60	55	—	—	PDA 12 <sup>1)</sup>	05081
AMD 500/8/4 0.3/1.5 kW <sup>3)</sup>	03276	645/1390	0.3/1.5	400	1.1/3.0	85	777	60	58	—	—	PDA 12 <sup>1)</sup>	05081
AMD 500/8/4 1.4/5.9 kW <sup>3)</sup>	03273	1400/2900	1.4/5.9	400	3.6/11.4	180	777	60	118	—	—	PDA 12 <sup>1)</sup>	05081
AMD 500/8/4 2.0/8.0 kW <sup>3)</sup>	03274	1410/2900	2.0/8.0	400	4.7/14.9	220	777	60	129	—	—	PDA 25	05060

The angle of attack must be specified when ordering.

\*  $\gamma/\Delta$  Start-up.

<sup>1)</sup> Flush-m. version see Switch product page.

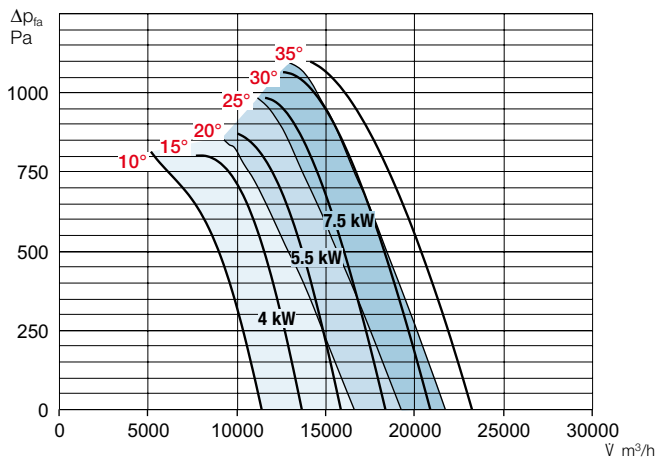
<sup>2)</sup> Extension duct VR over motor protrusion required.

<sup>3)</sup> Performance curves for low speed available on request.

Performance curves AMD 500/2

n=2930 1/min

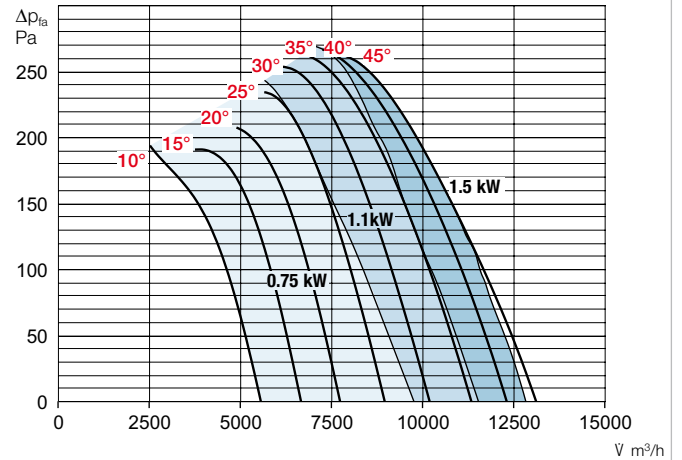
Frequency	Hz	Tot.	125	250	500	1k	2k	4k	8k
L <sub>WA</sub> 10°	dB(A)	103	80	93	99	102	100	97	88
L <sub>WA</sub> 20°	dB(A)	105	82	94	100	104	102	99	90
L <sub>WA</sub> 30°	dB(A)	107	84	96	104	106	104	101	92



Performance curves AMD 500/4

n=1430 1/min

Frequency	Hz	Tot.	125	250	500	1k	2k	4k	8k
L <sub>WA</sub> 10°	dB(A)	87	71	81	86	86	83	76	64
L <sub>WA</sub> 20°	dB(A)	88	72	82	86	87	85	77	66
L <sub>WA</sub> 30°	dB(A)	90	74	84	88	89	87	79	68



Accessories AMD 500

Intake nozzle with prot. grille <b>ASD-SGD 500</b> No. 01420	Extension duct <b>VR 500</b> No. 01408	Duct silencer <b>RSD 500/..</b>	Duct shutter <b>RVS 500 a)</b> No. 02598	Flanged flexible connector <b>STS 500</b> No. 01225	Counter flange <b>FR 500</b> No. 01208	Flat flange <b>FF 500</b> No. 04947	Protection grille duct side <b>SG 500</b> No. 01241	Mounting brackets <b>MK 500</b> (1 Set = 2 pcs) No. 00674	Mounting ring for vertical attachment <b>MRV 500</b> No. 01740

a) Shutter, motorised, see Accessories product page.

Vibration dampers			
Compression		Tension	
Type	Ref. no.	Type	Ref. no.
SDD 1	01452	SDZ 1	01454
SDD 1	01452	SDZ 1	01454
SDD 1	01452	SDZ 1	01454
SDD 2	01453	SDZ 2	01455
SDD 2 <sup>a)</sup>	01453	SDZ 2 <sup>a)</sup>	01455
SDD 2 <sup>a)</sup>	01453	SDZ 2 <sup>a)</sup>	01455
SDD 1	01452	SDZ 1	01454
SDD 1	01452	SDZ 2	01455
SDD 2 <sup>a)</sup>	01453	SDZ 2 <sup>a)</sup>	01455
SDD 2 <sup>a)</sup>	01453	SDZ 2 <sup>a)</sup>	01455