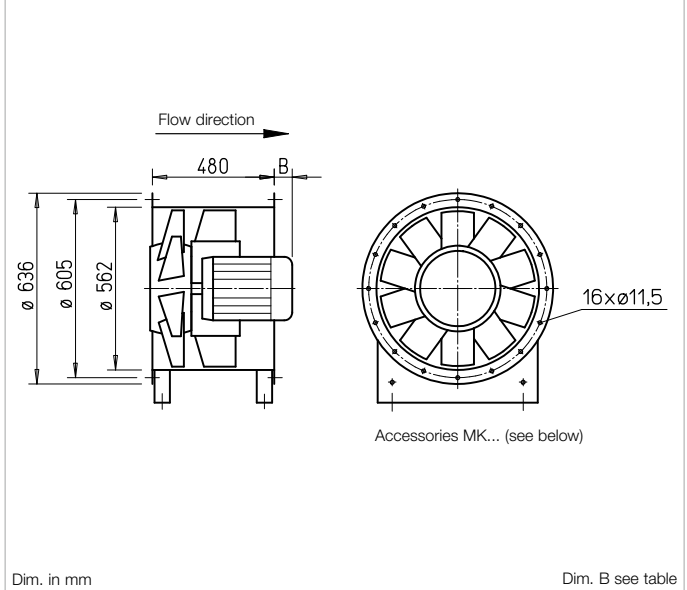


AMD 560



Dimensions AMD 560



Casing

Tubular casing with welded-in motor support plate and guide wheel made of steel sheet. Flanges pressed on both sides according to DIN 24155, p. 3, for direct intermediate flanges in pipelines. Surface protection from hot-dip galvanising.

Impeller

Hub and blades made of corrosion-resistant aluminium alloy. Dynamically balanced according to DIN ISO 21940-11, quality grade 6.3 for low-vibration operation. Ten aerodynamically profiled blades achieve the highest levels of efficiency and pressure rates in combination with the guide wheel. The angle of attack of the blades can be adjusted in the factory according to the ordered, optimal operating point.

Drive

Directly through efficient IE 3 three-phase current standard motor. Pole-changeable fans with IEC standard motor. Protection category IP55, insulation class F.

Power control

Continuously variable (0-100 %) through the use of a frequency inverter. The planned use of a frequency inverter without a sine filter should be indicated when placing the order. This requires a change of fan version and additional costs, if necessary.

Electrical connection

Standard terminal box (protection category IP55) made of plastic, mounted on the outside of the fan casing.

Motor protection

All AMD types come with PTC thermistors as standard motor protection. Effective motor protection is possible by means of motor protection circuit breaker (type MSA, Ref. no. 01289, accessories) or FU (accessories).

Dimensions

The motor protrudes over the casing for some types. The protrusion dim. B in mm pursuant to the type table must be taken into account.

Noise levels

The sound power values are specified over the frequency and as total levels for various angles of attack above the performance curves on the product pages.

Reference	Page
Planning information	14 ff.
Special design	
Special design w/ inspect. opening (extra charge) upon request.	

Other accessories	Page
Installation accessories	276 ff.
Silencers	494 ff.
Switching and control technology	599 ff.

Type	Ref. no.	Speed	Rated motor power (output)	Voltage	Current consump. nominal	Dim. B Motor protrusion	Wiring diagram	Max. air flow temp.	Weight net	Frequency inverter with integrated sine filter	Motor protection circuit breaker or pole changing switch
		min ⁻¹	kW	V	A	mm	No.	+ °C	kg	Type Ref. no.	Type Ref. no.
Three-phase current, 400 V, 50 Hz, protection category IP55											
AMD 560/4 1.1 kW	03281	1440	1.1	400	2.5	0	796	60	61	FU-BS 5.0 05460	MSA 01289
AMD 560/4 1.5 kW	03282	1440	1.5	400	3.3	0	796	60	64	FU-BS 5.0 05460	MSA 01289
AMD 560/4 2.2 kW	03285	1455	2.2	400	4.5	40	796	60	74	FU-BS 5.0 05460	MSA 01289
AMD 560/4 3 kW	03286	1440	3	400*	6.0	40	776	60	80	FU-BS 8.0 05461	MSA 01289
AMD 560/2 7.5 kW	03279	2930	7.5	400*	14.1	100	776	60	123	FU-BS 16 05463	MSA 01289
Pole-changeable, 2 speeds, three-phase current, Dahlander winding $\Upsilon/\Upsilon\Upsilon$, 400 V, 50 Hz, protection category IP55										Surface-mounted pole changing switch	
AMD 560/8/4 0.55/2.0 kW ²⁾	03272	680/1410	0.55/2.0	400	2.0/4.5	0	777	60	79	— —	PDA 12 ¹⁾ 05081
AMD 560/8/4 0.65/2.4 kW ²⁾	03290	680/1410	0.65/2.4	400	2.5/5.5	40	777	60	79	— —	PDA 12 ¹⁾ 05081
AMD 560/4/2 2.0/8.0 kW	03287	1410/2900	2.0/8.0	400	4.7/14.9	100	777	60	149	— —	PDA 25 05060

The angle of attack must be specified when ordering. ¹⁾ Flush-m. version see Switch product page.

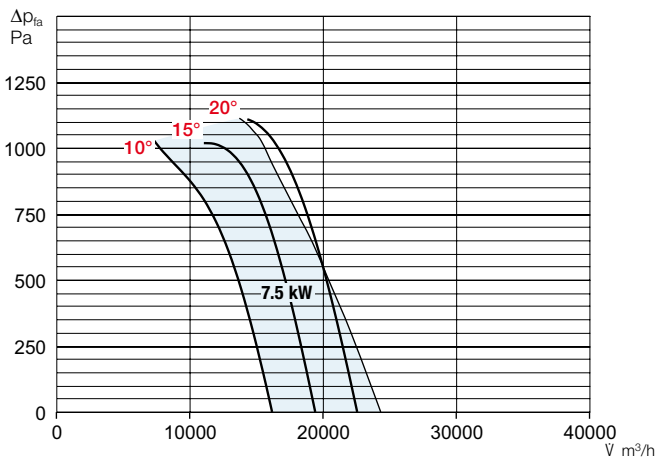
²⁾ Performance curves for low speed available on request.

* Υ/Δ Start-up.

Performance curves AMD 560/2

n=2930 1/min

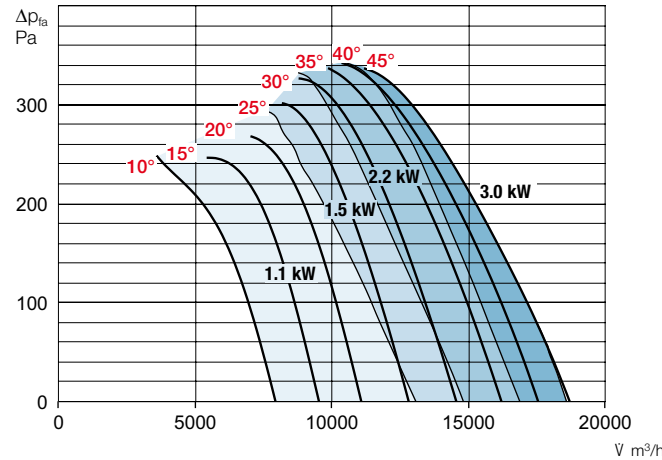
Frequency	Hz	Tot.	125	250	500	1k	2k	4k	8k	
L _{WA}	10°	dB(A)	107	84	96	104	106	105	101	91
L _{WA}	20°	dB(A)	108	85	97	105	107	105	102	93
L _{WA}	30°	dB(A)	111	87	100	107	110	109	105	95



Performance curves AMD 560/4

n=1440 1/min

Frequency	Hz	Tot.	125	250	500	1k	2k	4k	8k	
L _{WA}	10°	dB(A)	90	74	84	89	89	87	79	68
L _{WA}	20°	dB(A)	92	76	85	91	91	88	81	69
L _{WA}	30°	dB(A)	93	77	87	91	92	90	82	71



Accessories AMD 560

Intake nozzle with prot. grille **ASD-SGD 560** No. 01421

Extension duct **VR 560** No. 01409

Duct silencer **RSD 560/..**

Duct shutter **RVS 560^{a)}** No. 02599

Flanged flexible connector **STS 560** No. 01226

Counter flange **FR 560** No. 01209

Flat flange **FF 560** No. 04948

Protection grille duct side **SG 560** No. 01242

Mounting brackets **MK 560** (1 Set = 2 pcs) No. 00675

Mounting ring for vertical attachment **MRV 560** No. 01741

^{a)} Shutter, motorised, see Accessories product page.

Axial and VAR fans

Vibration dampers			
Compression		Tension	
Type	Ref. no.	Type	Ref. no.
SDD 1	01452	SDZ 2	01455
SDD 1	01452	SDZ 2	01455
SDD 1	01452	SDZ 2	01455
SDD 2	01453	SDZ 2	01455
SDD 2	01453	SDZ 2	01455
SDD 2	01453	SDZ 2	01455
SDD 2	01453	SDZ 2	01455
SDD 2	01453	SDZ 2	01455
SDD 2	01453	SDZ 2	01455