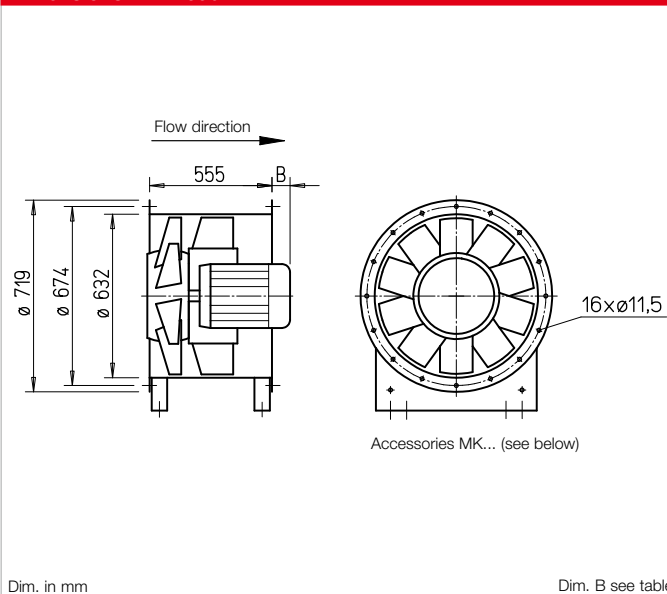


AMD 630



Dimensions AMD 630



**Casing**

Tubular casing with welded-in motor support plate and guide wheel made of steel sheet. Flanges pressed on both sides according to DIN 24155, p. 3, for direct intermediate flanges in pipelines. Surface protection from hot-dip galvanising.

**Impeller**

Hub and blades made of corrosion-resistant aluminium alloy. Dynamically balanced according to DIN ISO 21940-11, quality grade 6.3 for low-vibration operation. Ten aerodynamically profiled blades achieve the highest levels of efficiency and pressure rates in combination with the guide wheel. The angle of attack of the blades can be adjusted in the factory according to the ordered, optimal operating point.

**Drive**

Directly through efficient IE 3 three-phase current standard motor. Pole-changeable fans with IEC standard motor. Protection category IP55, insulation class F.

**Power control**

Continuously variable (0-100 %) through the use of a frequency inverter. The planned use of a frequency inverter without a sine filter should be indicated when placing the order. This requires a change of fan version and additional costs, if necessary.

**Electrical connection**

Standard terminal box (protection category IP55) made of plastic, mounted on the outside of the fan casing.

**Motor protection**

All AMD types come with PTC thermistors as standard motor protection. Effective motor protection is possible by means of motor protection circuit breaker (type MSA, Ref. no. 01289, accessories) or FU (accessories).

**Dimensions**

The motor protrudes over the casing for some types. The protrusion dim. B in mm pursuant to the type table must be taken into account.

**Noise levels**

The sound power values are specified over the frequency and as total levels for various angles of attack above the performance curves on the product pages.

**Reference Page**

Planning information 14 ff.

**Special design**

Special design w/ inspect. opening (extra charge) upon request.

**Other accessories Page**

Installation accessories 276 ff.  
Silencers 494 ff.  
Switching and control technology 599 ff.

Type	Ref. no.	Speed	Rated motor power (output)	Voltage	Current consump. nominal	Dim. B Motor protrusion	Wiring diagram	Max. air flow temp.	Weight net	Frequency inverter with integrated sine filter	Motor protection circuit breaker or pole changing switch
		min <sup>-1</sup>	kW	V	A	mm	No.	+ °C	kg	Type Ref. no.	Type Ref. no.
<b>Three-phase current, 400 V, 50 Hz, protection category IP55</b>											
AMD 630/4 1.5 kW	03291	1440	1.5	400	3.3	0	796	60	84	FU-BS 5.0 05460	MSA 01289
AMD 630/4 2.2 kW	03292	1455	2.2	400	4.5	0	796	60	84	FU-BS 5.0 05460	MSA 01289
AMD 630/4 3 kW	03293	1440	3.0	400*	6.0	0	776	60	99	FU-BS 8.0 05461	MSA 01289
AMD 630/4 4 kW	03294	1500	4.0	400*	7.4	30	776	60	94	FU-BS 10.0 05462	MSA 01289
AMD 630/4 5.5 kW	03295	1470	5.0	400*	10.7	40	776	60	115	FU-BS 16 05463	MSA 01289
AMD 630/2 11 kW	03376	2945	11.0	400*	20.0	145	776	60	210	FU-CS 22 05470	MSA 01289
<b>Pole-changeable, 2 speeds, three-phase current, Dahlander winding <math>\Delta/\Delta</math>, 400 V, 50 Hz, protection category IP55</b>										Surface-mounted pole changing switch	
AMD 630/8/4 0.55/2.0 kW <sup>2)</sup>	03297	680/1410	0.55/2.0	400	2.0/4.5	0	777	60	98	— —	PDA 12 <sup>1)</sup> 05081
AMD 630/8/4 0.9/3.2 kW <sup>2)</sup>	03298	680/1420	0.9/3.2	400	3.2/7.1	30	777	60	104	— —	PDA 12 <sup>1)</sup> 05081
AMD 630/8/4 1.1/4.5 kW <sup>2)</sup>	03299	680/1435	1.1/4.5	400	3.6/9.3	40	777	60	130	— —	PDA 12 <sup>1)</sup> 05081

The angle of attack must be specified when ordering. <sup>1)</sup> Flush-m. version see Switch product page.

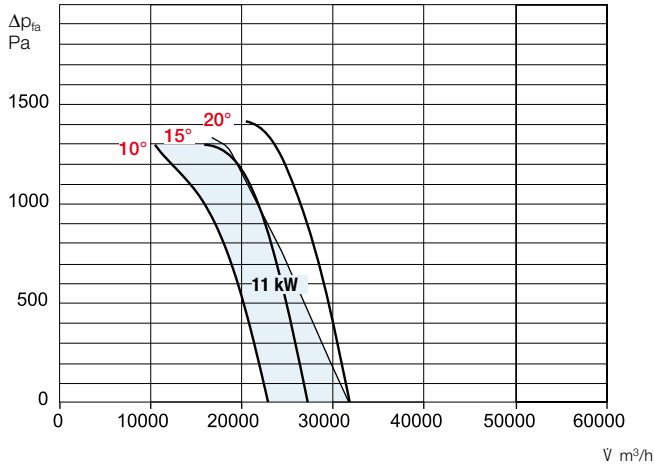
<sup>2)</sup> Performance curves for low speed available on request.

\*  $\Delta/\Delta$  Start-up.

Performance curves AMD 630/2

n=2940 1/min

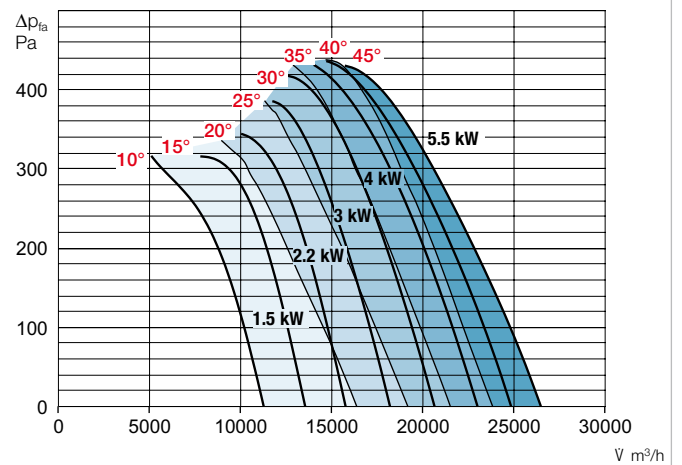
Frequency	Hz	Tot.	125	250	500	1k	2k	4k	8k
L <sub>WA</sub> 10°		dB(A) 112	84	97	104	108	106	101	92
L <sub>WA</sub> 20°		dB(A) 114	87	99	107	110	109	104	95
L <sub>WA</sub> 30°		dB(A) 116	89	101	109	112	111	106	97



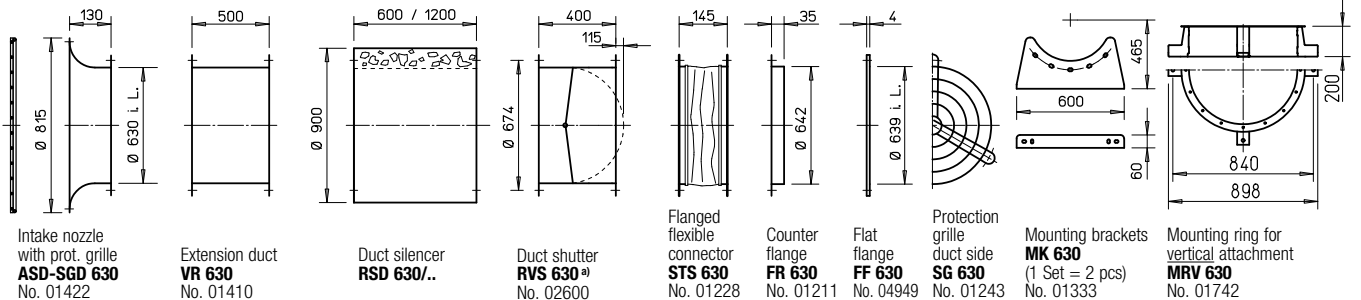
Performance curves AMD 630/4

n=1450 1/min

Frequency	Hz	Tot.	125	250	500	1k	2k	4k	8k
L <sub>WA</sub> 10°		dB(A) 94	78	87	93	93	90	83	71
L <sub>WA</sub> 20°		dB(A) 95	79	89	92	94	91	84	72
L <sub>WA</sub> 30°		dB(A) 97	81	91	95	96	93	86	74



Accessories AMD 630



<sup>a)</sup> Shutter, motorised, see Accessories product page.

Axial and VAR fans

		Vibration dampers			
		Compression		Tension	
Type	Ref. no.	Type	Ref. no.	Type	Ref. no.
<b>SDD 2</b>	01453	<b>SDZ 2</b>	01455		
<b>SDD 2</b>	01453	<b>SDZ 2</b>	01455		
<b>SDD 2</b>	01453	<b>SDZ 2</b>	01455		
<b>SDD 2</b>	01453	<b>SDZ 2</b>	01455		
<b>SDD 2</b>	01453	<b>SDZ 2</b>	01455		
<b>SDD 3</b>	01367	<b>SDZ 3</b>	01366		
<b>SDD 2</b>	01453	<b>SDZ 2</b>	01455		
<b>SDD 2</b>	01453	<b>SDZ 2</b>	01455		
<b>SDD 2</b>	01453	<b>SDZ 2</b>	01455		