

RR 250



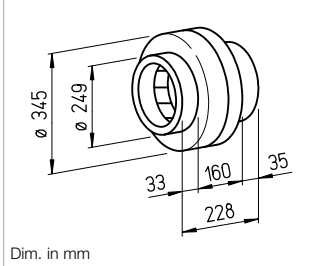
Market-leading unit series with favourable price/performance ratio.
With energy-saving level as standard.

RRK 250



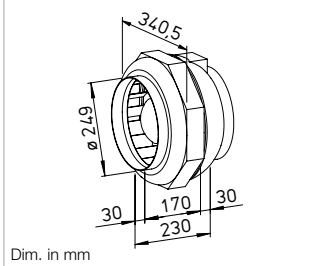
Alternative in corrosion-resistant and impact-resistant plastic casing.

Dimensions RR 250

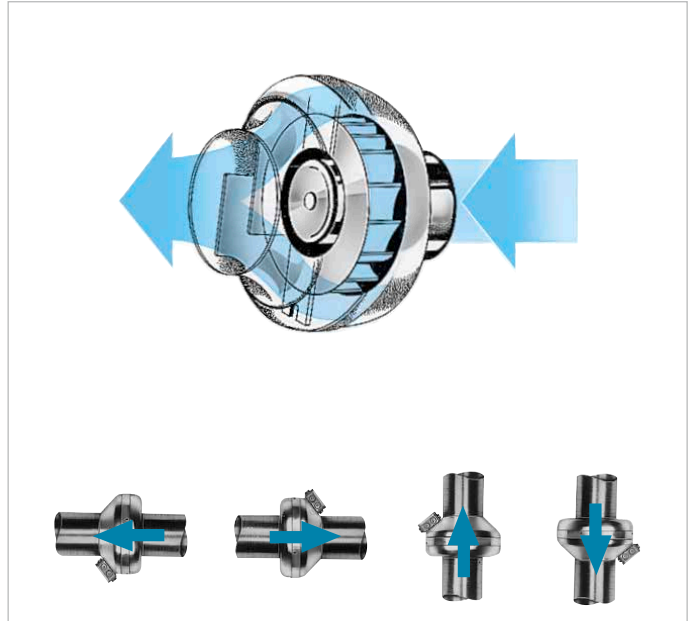


Dim. in mm

Dimensions RRK 250



Dim. in mm



For the delivery of medium and small air volumes against high resistances.

Specifically designed for direct insertion in duct systems. High pressure performance for overcoming friction losses, deflection losses and aggregate resistances. For various applications in commercial, industrial and residential areas.

Special features

- Low space requirement and minimal installation costs due to linear throughflow.
- No need for elaborate deflectors.
- Connectors on inlet and outlet side correspond to standard duct Ø.
- Performance adjustment through 100% speed control.
- Can be used in any position.
- Wide range of accessories.
- Aerodynamically optimised casing design.

Common features

Motor

Enclosed, ball bearing mounted external rotor motor with humidity protection, insulation class F, for continuous operation, maintenance-free and radio interference-free.

Motor protection

Through built-in thermal contacts wired in series to the winding, automatic deactivation and reactivation after cooling.

Description RR

Casing

Made of galvanised steel sheet, robust for harsh operating conditions. Inlet and outlet side connection dimensions correspond to standard duct Ø.

Power control

From 0 – 100% using electronic controller or step transformer (see table). Two level operation for type RR 250 A possible using type DS 2/2 (accessories).
DS 2/2 Ref. no. 01267

Electrical connection

Terminal box (IP54) on outside of casing.

Impeller

Centrifugal, with backward curved blades made of plastic. Directly pressed on motor and dynamically balanced as a unit. Low-noise, high level of efficiency.

Protection category

Protection category IP44 through inlet and outlet-side installation in a duct system which prevents the ingress of rainwater.

Description RRK

Casing

All components made of corrosion-resistant and impact-resistant plastic. Six built-in guide blades additionally increase the level of efficiency. Colour: Silver-grey.

Power control

From 0 – 100 % possible using electronic controller or step transformer (see table).

Electrical connection

Terminal box (IP44) on outside of casing.

Impeller

Centrifugal, with backward curved blades made of plastic. Directly pressed on motor and dynamically balanced as a unit. Low-noise, high level of efficiency.

Protection category

IP44

Installation

No restrictions in any position (horizontal, vertical, diagonal) through corresponding installation in a duct system which prevents the ingress of rainwater. Installation in duct system, preferably away from the room to be ventilated for less noise.

Noise

The total level and range are specified above the performance diagram for

- Case-radiated sound power
- Inlet/outlet side sound power in dB(A).
- The case-radiated noise and inlet/outlet side air noise as sound pressure at 1 m (free field conditions) are also specified in the type table.

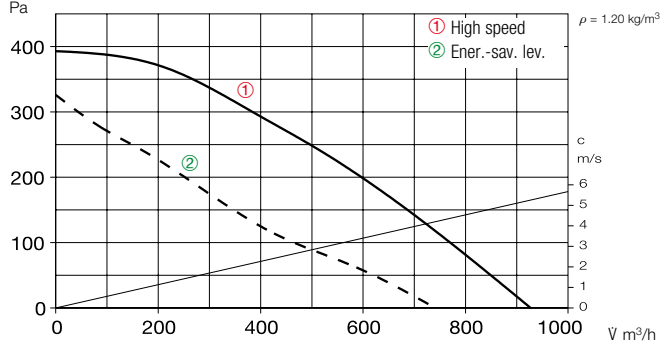
Type	Ref. no.	Flow rate	Rated speed	Sound press.	Power consum.	Power consum.	Wiring diagram	Max air flow temp.		Wgt net aprx.	Transformer speed controller 5-step	Electronic ²⁾ Speed controller, cont. var. flush-mount. / surf-mount.			
		Free blowing		case radiation	consum.	with control		at rated voltage	with control			at rated voltage	with control	Type	Ref. no.
		V m³/h	min⁻¹	dB(A) in 1 m	W	A	No.	+ °C	+ °C	kg	Type	Ref. no.	Type	Ref. no.	
Type RR, Single-phase alternating current, 230 V, 50 Hz, Capacitor motor, IP44 (Type RR 250 C, IP33)															
RR 250 A ¹⁾	05652	950 ¹⁾ /740	2650 ¹⁾ /2030	42	129 ¹⁾ /85	0.57 ¹⁾ /0.38	0.57	934.1	60	60	4.2	TSW 1.5	01495	ESU 1 / ESA 1	00236 / 00238
RR 250 C	05660	970	2750	45	145	0.63	0.78	508	70	60	5.0	TSW 1.5	01495	ESU 1 / ESA 1	00236 / 00238
Type RRK, Single-phase alternating current, 230 V, 50 Hz, Capacitor motor, IP44															
RRK 250	05978	910	2360	38	98	0.43	0.43	508	70	60	3.4	TSW 1.5	01495	ESU 1 / ESA 1	00236 / 00238

¹⁾ Type with high speed; with additional energy-saving level as standard (see performance diagram).

²⁾ Transformer control units must be provided in noise-relevant cases. Electronic phase angle control can cause disturbing magnetisation humming.

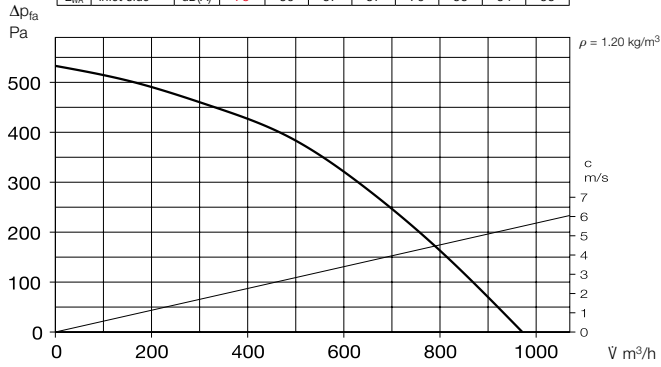
Performance curves RR 250 A

Frequency	Hz	Tot.	125	250	500	1k	2k	4k	8k
L _{WA} Radiation	dB(A)	49	29	40	45	42	41	38	31
L _{WA} Inlet side	dB(A)	75	63	68	67	69	68	66	57



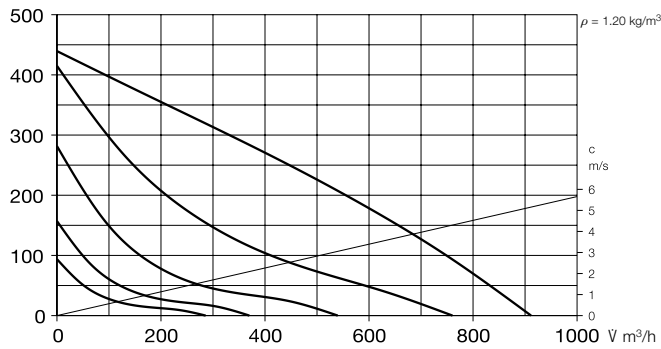
Performance curves RR 250 C

Frequency	Hz	Tot.	125	250	500	1k	2k	4k	8k
L _{WA} Radiation	dB(A)	53	31	42	46	49	46	43	38
L _{WA} Inlet side	dB(A)	75	60	67	67	70	66	64	66



Performance curves RRK 250

Frequency	Hz	Tot.	125	250	500	1k	2k	4k	8k
L _{WA} Radiation	dB(A)	46	32	35	40	41	40	33	26
L _{WA} Inlet side	dB(A)	63	40	55	56	56	58	53	46



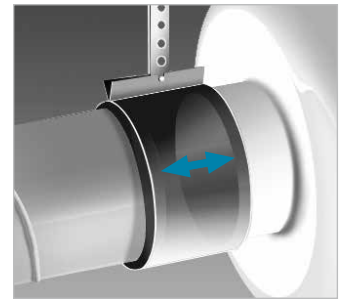
References	Page
Techn. description	360
Selection table	361
Planning information	14 ff.
Modular system	358

Other accessories	Page
Filter, heating elements and silencers	481 ff.
Temperature control systems for heating elements	487, 491 ff.
Flexible ventilation ducts, ventilation grilles, fittings, roof outlets	561 ff.
Disc valves	582 ff.
Speed controllers, controllers and switches	599 ff.

Accessories

Pipe clamp connectors

BM 250 Ref. no. 05079
For structure-borne noise-free connection of fan and piping and for suspension (1 set = 2 pcs). Mount ventilation duct and fan connector at a distance and fold sleeve over during installation.



Mounting bracket for RR

MK 4 Ref. no. 05824

Mounting bracket for RRK

MK 2 Ref. no. 05822

Made of galvanised steel sheet.



External wall shutter

VK 250 Ref. no. 00759

Automatic made of plastic, light grey.



External wall cover grille

RAG 250 Ref. no. 00751

Made of plastic, light grey.



Protection grille

SGR 250 Ref. no. 05067

For inlet and outlet side installation. Made of galvanised steel.



Duct shutter

RSK 250 Ref. no. 05673

Automatic, made of metal.



Flexible cross talk silencer

FSD 250 Ref. no. 0680

Made of aluminium pipe with double-sided plug-in connectors. Sound insulation lining 50 mm thick, installation length 1 m.



Air filter box

LFBR 250 Coarse 70%* 08580

LFBR 250 ePM1 50%* 08534

Air filter with large surface area, for installation in pipeline.



Electric heating element

EHR-R 6/250 6.0 kWNo.08712

- with integrated temp. control

EHR-R 6/250 TR 6.0 kWNo.05296

Room or duct sensor (TFK/TFR, Accessories) required.



Temperature control system for electric heating element

EHR-R

EHS Ref. no. 05002



Warm water heating element

WHR 250 Ref. no. 09483

Compact heat exchanger for installation in duct system.



Temperature control system for warm water heating element

WHS HE Ref. no. 08319

* See product page 484 for detailed description.