

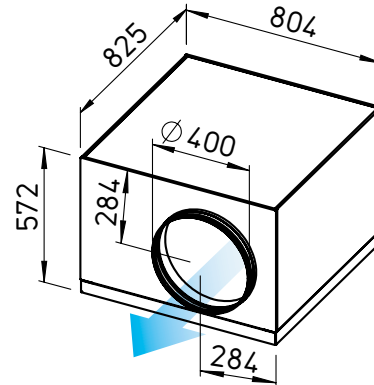
SB EC 400



Virtually silent with high volume output and pressure performance. Ideal for cleaning and inspection.



Dimensions SB EC 400



Dim. in mm

■ **Casing**

Designed as a silencer. Equipped with abrasion-resistant, sound-absorbing mineral fibre boards (50 mm). Removable cover with locking clamp. Freely accessible fan. Removable motor-impeller unit, the removal area must be considered. Inlet and outlet side connectors with rubber lip seal corresponds to standard duct Ø. All parts made of galvanised steel sheet.

■ **Impeller**

With backward curved blades. Inlet via nozzle.

■ **Drive**

Energy-saving, speed-controllable EC external rotor motor in protection category IP44 with the highest level of efficiency. Maintenance-free and radio interference-free, ball bearing mounted. Motor and impeller dynamically balanced for low-noise operation.

■ **Motor protection**

Integrated electronic temperature monitoring system for EC motor and electronics.

■ **Power control**

Continuously variable speed control with internal (delivery) or external potentiometer or continuously variable speed control with universal control system (see table). Performance levels are shown in the performance curve as an example.

■ **Electrical connection**

Terminal box (IP54) mounted to external cable (aprx. 60 cm long).

■ **Protection category**

IP44 with connected duct system.

■ **Installation**

No restrictions in any position (horizontal, vertical, diagonal) through corresponding installation for supply or extract ventilation. Mounting bracket included in delivery.

■ **Noise**

The total level and range are specified above the performance diagram for:

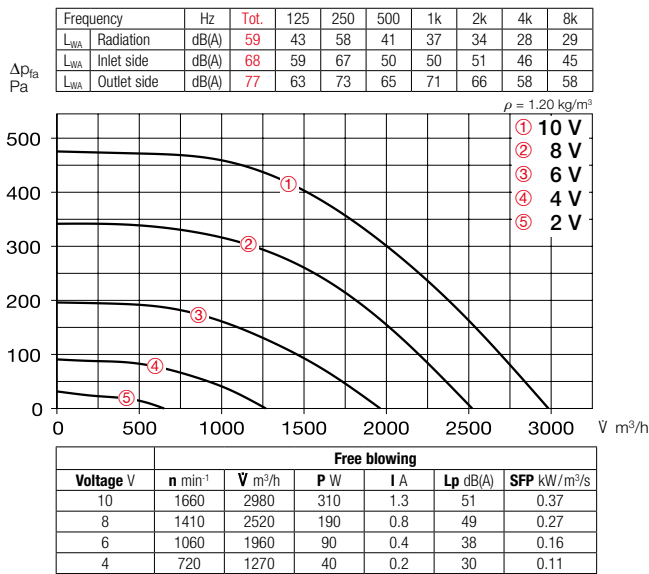
- Case-radiated sound power
- Inlet side sound power
- Outlet side sound power.

The case-radiated noise as sound pressure at 1 m (free field conditions) is also specified in the type table and the table below the performance curve.

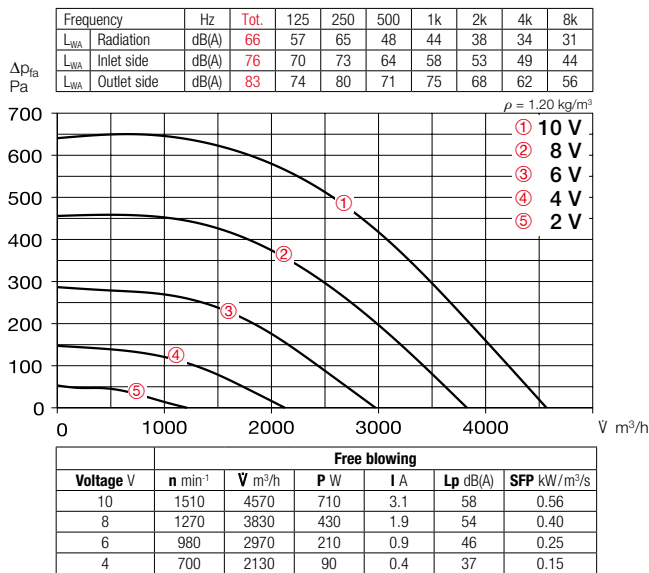
Type	Ref. no.	Connection Ø	Flow rate Free blowing	Rated speed	Sound press. case radiation	Power consum.	Current consum.	Wiring diagram	Max. air flow temp.	Wgt net aprx.	Universal control system		Speed potentiometer			
											Type	Ref. no.	Type	Ref. no.	Type	Ref. no.
		mm	∇ m ³ /h	min ⁻¹	dB(A) in 1 m	kW	A	No.	+ °C	kg	Type	Ref. no.	Type	Ref. no.	Type	Ref. no.
Type SB EC, Single-phase alternating current, 230 V, 50/60 Hz, EC motor, IP54																
SB EC 400 A	06140	400	2980	1640	51	0.36	1.59	979	60	52	EUR EC ¹⁾²⁾	01347	PU 10 ¹⁾	01734	PA 10 ¹⁾	01735
SB EC 400 B	09629	400	4570	1510	58	0.80	3.49	979	60	55	EUR EC ¹⁾²⁾	01347	PU 10 ¹⁾	01734	PA 10 ¹⁾	01735

¹⁾ Multiple EC fans can normally be connected. ²⁾ alternative electronic diff. pressure/ temperature controller (EDR/ETR, No. 01437/01438) or three level speed switch (SU/SA, No. 04266/04267), see accessories.

Performance curves SB EC 400 A



Performance curves SB EC 400 B



Accessory details Page

Filters, heating elements and silencers	481 ff.
Temperature control systems for heating elements	487, 491 ff.
Flexible ventilation ducts, ventilation grilles, fittings, roof outlets	561 ff.
Disc valves	582 ff.
Universal control system, electronic controllers, speed potentiometer	613 ff.

Accessories

Flexible connecting sleeve

FM 400 Ref. no. 01676

Includes 2 hose clamps; for installation between fan and duct system. Prevents structure-borne noise transmission and bridges installation tolerances.

2 pcs required for inlet and outlet side application.



External wall shutter

VK 400 Ref. no. 00762

Automatic made of plastic, light grey.



External wall cover grille

RAG 400 Ref. no. 00754

For placement in front of air inlet and outlet openings in facades.

Made of plastic, light grey.



Duct shutter

RSK 400 Ref. no. 05651

Automatic, made of metal.



Flexible cross talk silencer

FSD 400 Ref. no. 00683

Made of aluminium pipe with double-sided plug-in connectors. Sound insulation lining 50 mm thick, installation length 1 m.



Air filter box

LFBR 400 Coarse 70%* 08582

LFBR 400 ePM1 50%* 08537

Air filter with large surface area and absorption capacity for installation in pipeline. Connections with double lip seal, matched to standard.



Electric heating element

EHR-R 9/400 9.0 kW No. 08657

– with integrated temp. control

EHR-R 9/400 TR 9.0 kW No. 05299

Room or duct sensor (TFK/TFR, Accessories) required.



Temperature control system for electric heating element

EHR-R

EHSD 16 Ref. no. 05003



Warm water heating element

WHR 400 Ref. no. 09524

Compact heat exchanger for installation in duct system.



Temperature control system for warm water heating element

WHS HE Ref. no. 08319



* See product page 484 for detailed description.