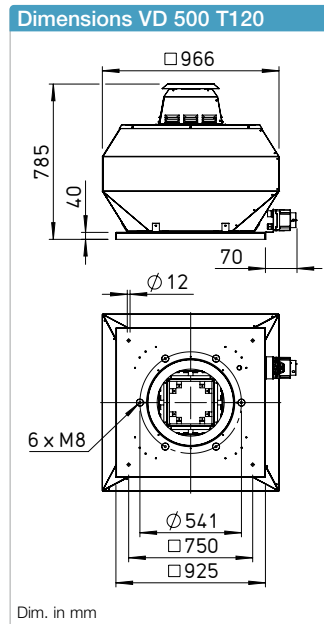
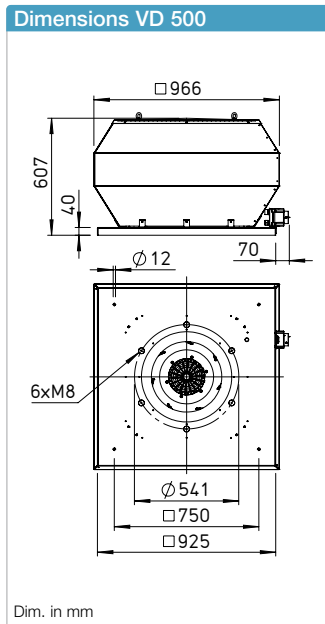
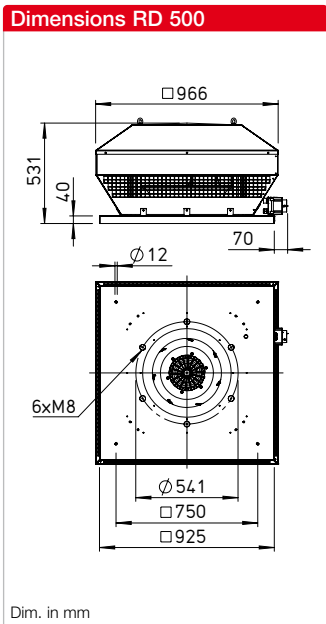
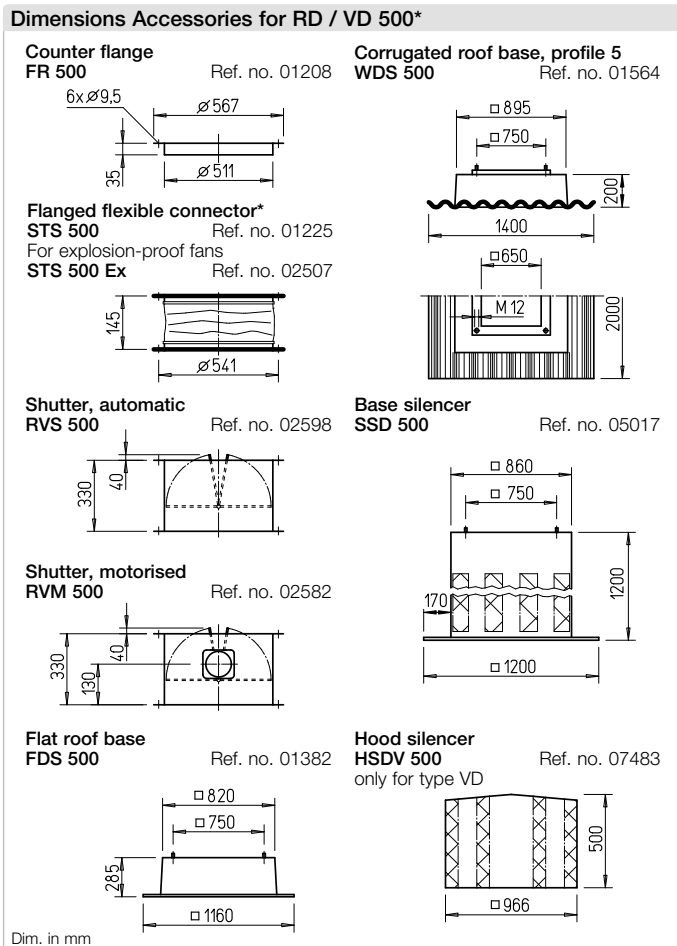




- Impeller**
 High-performance centrifugal impeller with backward curved blades made of plastic (T120 and explosion-proof version made of aluminium). Dynamically balanced according to DIN ISO 21940-11 – quality grade 6.3.
- Drive**
 Speed-controllable external rotor motor in closed design (IP54) (explosion-proof version in IP44). Flange motor with self-ventilation (T120 version) in IP54/55. Ball bearing mounted with moisture protection. Maintenance-free and radio interference-free.



- Motor protection**
 Through built-in thermal contacts or built-in PTC thermistors, which must be connected to a motor protection circuit breaker. Assignment see type table.
- Electrical connection**
 No dismantling of casing, to external isolator switch (explosion-proof version to terminal box) in protection category IP65.
- Protection grille**
 On the outlet side as standard according to DIN EN ISO 13857.
- Power control**
 All types have continuously variable speed control in the range from 0 – 100 % with a frequency inverter with integrated, all-pole effective sine filter (except for explosion-proof version) or five-step control units (except for units with FU). Assignment see type table.



Description RD

Horizontal outlet roof fan with efficiency-optimised aluminium casing and newly developed high-performance centrifugal impeller.

Description VD

Vertical outlet roof fan with efficiency-optimised aluminium casing and newly developed high-performance centrifugal impeller.

Description VD T120

Designed for the delivery of process air up to +120 °C. Enclosed motor located outside of the air flow. Compliant with VDI 2052.

Description of all series

- Casing**
 Casing made of sea water-resistant aluminium with integrated tamper protection. Motor support plate and base plate with inlet nozzle made of galvanised steel (explosion-proof version inlet nozzle made of aluminium). Base plate with threaded screws for attachment of inlet-side accessories (hole pattern according to DIN 24155).

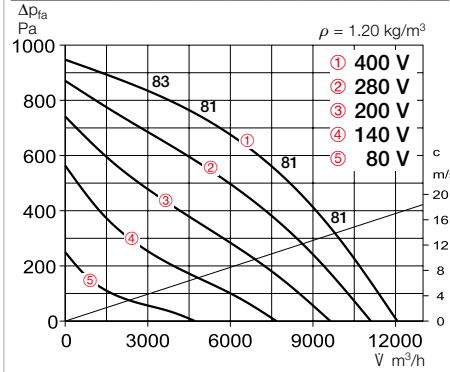
- Delivery**
 Units are ready-for-connection, fully pre-assembled in the shipping box. Easy positioning due to standard crane hook.
- Noise**
 The total level and range are specified above the performance diagram for:
 - Inlet side sound power
 - Outlet side sound power.
 The horizontally case-radiated noise as sound pressure at 4 m (free field conditions) is also specified in the type table. Hood silencer see Accessories.

References	Page
Planning information	14 ff.
Technical description	500 f.
Selection table	502 f.
Accessories, details	558 f.
Speed controllers, controllers and switches	599 ff.

* Accessories VD T120 see installation accessories p. 559 f. Other accessories upon request.

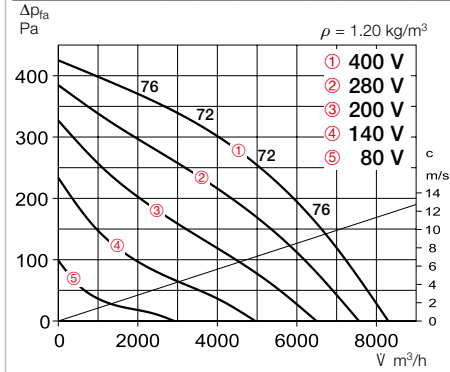
Performance curves RDD 500/4

Frequency	Hz	Tot.	125	250	500	1k	2k	4k	8k
L _{WA} Inlet side	dB(A)	76	67	71	69	66	62	58	58
L _{WA} Outlet side	dB(A)	81	72	74	75	76	70	65	58



Performance curves RDD 500/6

Frequency	Hz	Tot.	125	250	500	1k	2k	4k	8k
L _{WA} Inlet side	dB(A)	67	58	62	60	60	57	53	49
L _{WA} Outlet side	dB(A)	72	63	65	66	67	61	56	49



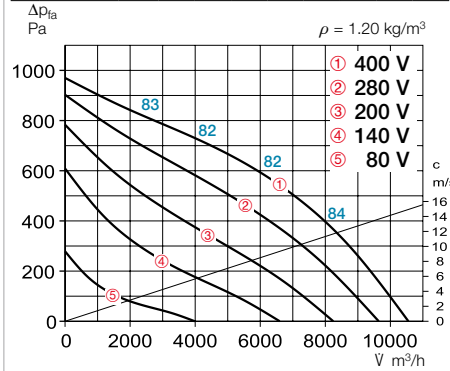
Type	Ref. no.	Speed	Flow rate Free blowing	Noise sound pressure	Power consump.	Current consump.		Wiring diagram	Max. air flow temp.		Weight net	Motor protection circuit breaker		Speed controller 5-step	
						at rated voltage	with control		at rated voltage	with control		Type	Ref. no.	Type	Ref. no.
		min ⁻¹	m ³ /h	dB(A) in 4 m	W	A	A	No.	°C	°C	kg	Type	Ref. no.	Type	Ref. no.
Three phase current, 3~, 400 V, 50 Hz, Squirrel-cage rotor, Protection category IP54															
RDD 500/6	07410	885	8300	55	680	1.55	1.55	1129	50	50	55.0	MD	05849	RDS 2 ²⁾	01315
RDD 500/4	07409	1340	12100	64	2150	4.15	4.25	1129	55	50	58.0	MD	05849	RDS 7 ²⁾	01578
Ex Explosion-proof, II 2G Ex h IIB + Hz T3 Gb, Motor Ex e, Three phase current, 3~, 400 V, 50 Hz, Protection category IP44															
RDD 500/6 Ex ¹⁾	07414	840	6550	57.5	570	1.21	1.21	1157	40	40	51.0	MSA	01289	TSD 1.5	01501
RDD 500/4 Ex ¹⁾	07416	1420	13030	64	2250	4.5	5.8	—	40	40	58.0	MSA	01289	TSD 1.5	01501

1) Performance diagram at www.HeliosSelect.de.

2) Includes motor protection circuit breaker.

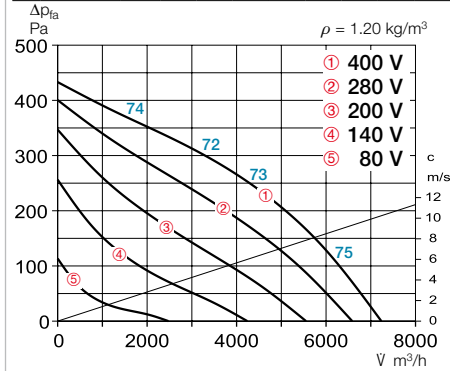
Performance curves VDD 500/4

Frequency	Hz	Tot.	125	250	500	1k	2k	4k	8k
L _{WA} Inlet side	dB(A)	76	67	71	69	66	62	58	58
L _{WA} Outlet side	dB(A)	82	71	75	76	74	69	61	61



Performance curves VDD 500/6

Frequency	Hz	Tot.	125	250	500	1k	2k	4k	8k
L _{WA} Inlet side	dB(A)	67	58	62	60	60	57	53	49
L _{WA} Outlet side	dB(A)	73	62	66	67	67	65	60	52



Type	Ref. no.	Speed	Flow rate Free blowing	Noise sound pressure	Power consump.	Current consump.		Wiring diagram	Max. air flow temp.		Weight net	Motor protection circuit breaker		Speed controller 5-step	
						at rated voltage	with control		at rated voltage	with control		Type	Ref. no.	Type	Ref. no.
		min ⁻¹	m ³ /h	dB(A) in 4 m	W	A	A	No.	°C	°C	kg	Type	Ref. no.	Type	Ref. no.
Three phase current, 3~, 400 V, 50 Hz, Squirrel-cage rotor, Protection category IP54															
VDD 500/6	07402	885	7250	56	680	1.55	1.55	1129	50	50	56.0	MD	05849	RDS 2 ²⁾	01315
VDD 500/4	07401	1340	10550	65	2150	4.15	4.25	1129	55	50	65.0	MD	05849	RDS 7 ²⁾	01578
Ex Explosion-proof, II 2G Ex h IIB + Hz T3 Gb, Motor Ex e, Three phase current, 3~, 400 V, 50 Hz, Protection category IP44															
VDD 500/6 Ex ¹⁾	07412	840	5850	56	560	1.2	1.2	1157	40	40	53.0	MSA	01289	TSD 1.5	01501
VDD 500/4 Ex ¹⁾	07413	1405	9350	66.5	2250	4.3	5.1	1157	40	40	68.0	MSA	01289	TSD 7	01504
T120 Three phase current, 3~, 400 V, 50 Hz, Squirrel-cage rotor, Protection category IP54 or IP55*															
VDD 500/6 T120 ¹⁾	07419	945	9568	61	100	2.1	2.1	1264	100	—	62.0	MSA	01289	TSD 7	01504
VDD 500/4 T120 ¹⁾	07418	1465	14078	70	3060	5.8	5.8	1130	95	—	71.0	MSA	01289	—	—

1) Performance diagram at www.HeliosSelect.de.

2) Includes motor protection circuit breaker.