



Impeller
 High-performance centrifugal impeller with backward curved blades made of aluminium. Dynamically balanced according to DIN ISO 21940-11 – quality grade 6.3.

Drive
 Speed-controllable external rotor motor in closed design (IP54) (explosion-proof version in IP44). Flange motor with self-ventilation (T120 version) in IP54/55. Ball bearing mounted with moisture-free and radio interference-free.

Motor protection
 Through built-in thermal contacts or built-in PTC thermistors, which must be connected to a motor protection circuit breaker. Assignment see type table.

Electrical connection
 No dismantling of casing, to external isolator switch (explosion-proof version to terminal box) in protection category IP65.

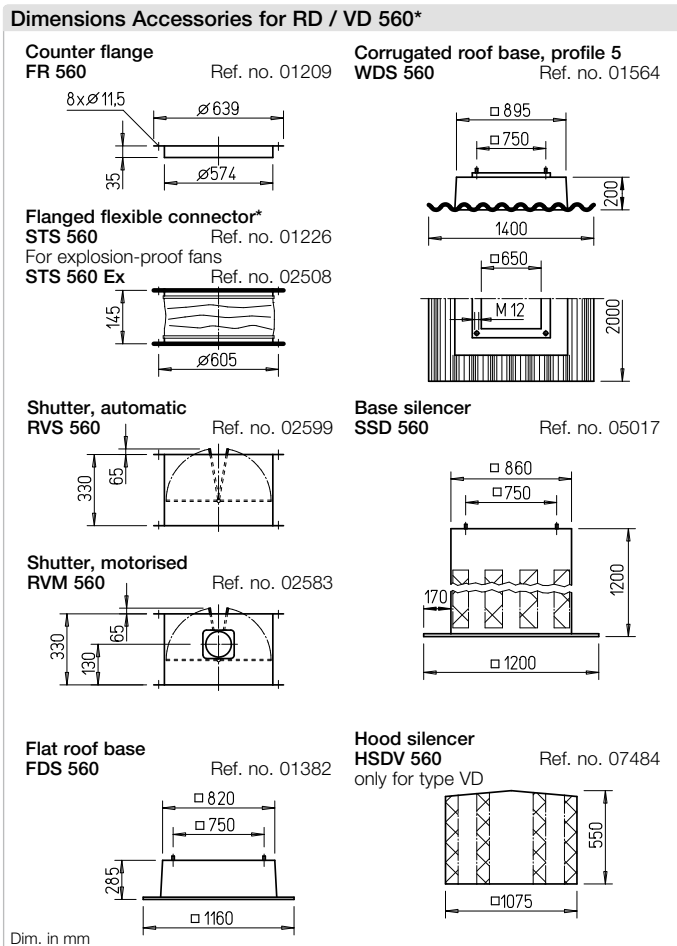
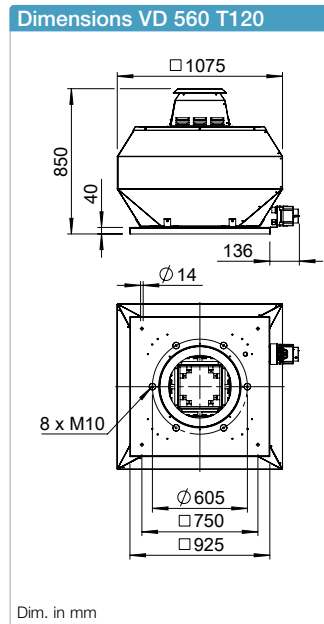
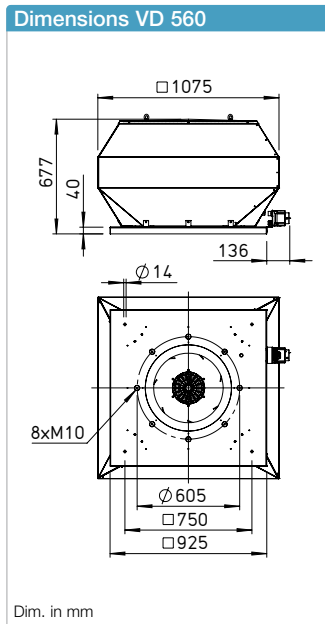
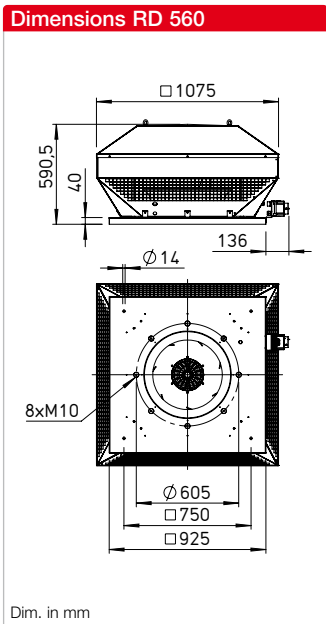
Protection grille
 On the outlet side as standard according to DIN EN ISO 13857.

Power control
 All types have continuously variable speed control in the range from 0 – 100 % with a frequency inverter with integrated, all-pole effective sine filter (except for explosion-proof version) or five-step control units (except for units with FU). Assignment see type table.

Delivery
 Units are ready-for-connection, fully pre-assembled in the shipping box. Easy positioning due to standard crane hook.

Noise
 The total level and range are specified above the performance diagram for:

- Inlet side sound power
 - Outlet side sound power.
- The horizontally case-radiated noise as sound pressure at 4 m (free field conditions) is also specified in the type table. Hood silencer see Accessories.



Description RD
 Horizontal outlet roof fan with efficiency-optimised aluminium casing and newly developed high-performance centrifugal impeller.

Description VD
 Vertical outlet roof fan with efficiency-optimised aluminium casing and newly developed high-performance centrifugal impeller.

Description VD T120
 Designed for the delivery of process air up to +120 °C. Enclosed motor located outside of the air flow. Compliant with VDI 2052.

Description of all series

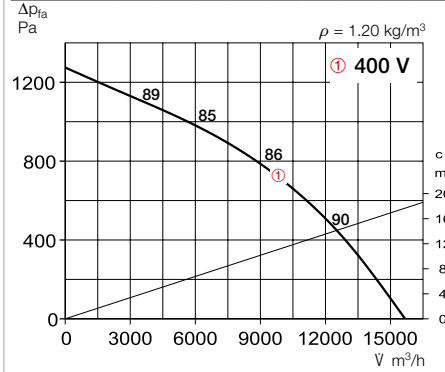
Casing
 Casing made of sea water-resistant aluminium with integrated tamper protection. Motor support plate and base plate with inlet nozzle made of galvanised steel (explosion-proof version inlet nozzle made of aluminium). Base plate with threaded screws for attachment of inlet-side accessories (hole pattern according to DIN 24155).

References	Page
Planning information	14 ff.
Technical description	500 f.
Selection table	502 f.
Accessories, details	558 f.
Speed controllers, controllers and switches	599 ff.

* Accessories VD T120 see installation accessories p. 559 f. Other accessories upon request.

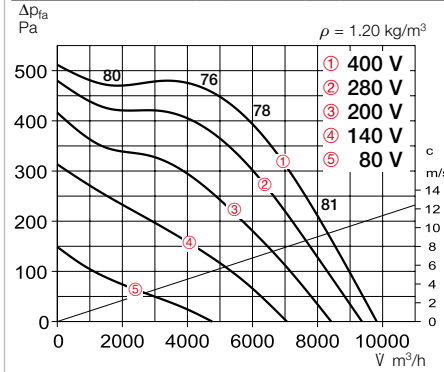
Performance curve RDD 560/4

Frequency	Hz	Tot.	125	250	500	1k	2k	4k	8k
L _{WA} Inlet side	dB(A)	81	70	72	73	74	73	69	62
L _{WA} Outlet side	dB(A)	86	74	77	79	80	77	70	61



Performance curves RDD 560/6

Frequency	Hz	Tot.	125	250	500	1k	2k	4k	8k
L _{WA} Inlet side	dB(A)	72	62	64	65	66	65	61	54
L _{WA} Outlet side	dB(A)	77	66	69	71	72	69	62	53



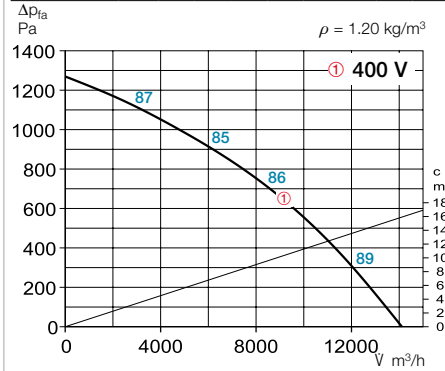
Type	Ref. no.	Speed	Flow rate Free blowing	Noise sound pressure	Power consump.	Current consump.		Wiring diagram	Max. air flow temp.		Weight net	Motor protection circuit breaker		Speed controller 5-step	
						at rated voltage	with control		at rated voltage	with control		Type	Ref. no.	Type	Ref. no.
Three phase current, 3~, 400 V, 50 Hz, Squirrel-cage rotor, Protection category IP54															
RDD 560/6	07429	920	9850	60	1180	3.2	3.2	1129	60	60	72.0	MD	05849	RDS 7 ²⁾	01578
RDD 560/4	07426	1380	15700	69	3610	6.4	7.8	1130	60	40	88.0	MD	05849	RDS 11 ²⁾	01332
Ex Explosion-proof, II 2G Ex h IIB + H ₂ T3 Gb, Motor Ex e, Three phase current, 3~, 400 V, 50 Hz, Protection category IP44															
RDD 560/6 Ex ¹⁾	07432	865	9410	61.5	1100	2.12	2.12	1157	40	40	67.0	MSA	01289	TSD 3	01502

1) Performance diagram at www.HeliosSelect.de.

2) Includes motor protection circuit breaker.

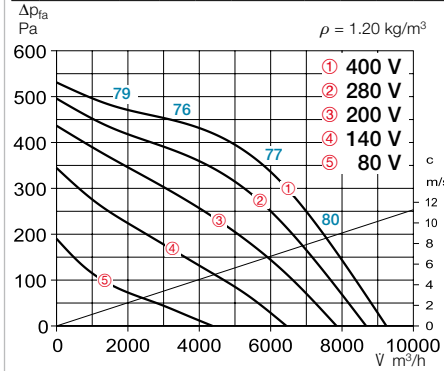
Performance curve VDD 560/4

Frequency	Hz	Tot.	125	250	500	1k	2k	4k	8k
L _{WA} Inlet side	dB(A)	82	71	73	74	75	74	70	63
L _{WA} Outlet side	dB(A)	86	75	79	81	80	76	72	65



Performance curves VDD 560/6

Frequency	Hz	Tot.	125	250	500	1k	2k	4k	8k
L _{WA} Inlet side	dB(A)	72	61	63	64	65	64	60	53
L _{WA} Outlet side	dB(A)	77	66	70	72	71	67	63	56



Type	Ref. no.	Speed	Flow rate Free blowing	Noise sound pressure	Power consump.	Current consump.		Wiring diagram	Max. air flow temp.		Weight net	Motor protection circuit breaker		Speed controller 5-step	
						at rated voltage	with control		at rated voltage	with control		Type	Ref. no.	Type	Ref. no.
Three phase current, 3~, 400 V, 50 Hz, Squirrel-cage rotor, Protection category IP54															
VDD 560/6	07422	920	9250	60	1180	3.2	3.2	1129	60	60	75.0	MD	05849	RDS 7 ²⁾	01578
VDD 560/4	07420	1385	14100	69	4430	6.4	—	1130	55	55	77.0	MD	05849	FU-BS 8.0	05461
Ex Explosion-proof, II 2G Ex h IIB + H ₂ T3 Gb, Motor Ex e, Three phase current, 3~, 400 V, 50 Hz, Protection category IP44															
VDD 560/6 Ex ¹⁾	07430	860	8455	60	1090	2.1	2.1	1157	40	40	70.0	MSA	01289	TSD 3	01502
T120 Three phase current, 3~, 400 V, 50 Hz, Squirrel-cage rotor, Protection category IP54 or IP55*															
VDD 560/6 T120 ¹⁾	07439	965	12323	60	1640	3.6	3.5	1264	120	100	92.0	MD	05849	RDS 7 ²⁾	01578
VDD 560/4 T120 ¹⁾	07436	1460	16224	69	5500	11.5	—	1130	120	100	102.0	MSA	01289	FU-BS 10	05462

1) Performance diagram at www.HeliosSelect.de.

2) Includes motor protection circuit breaker.