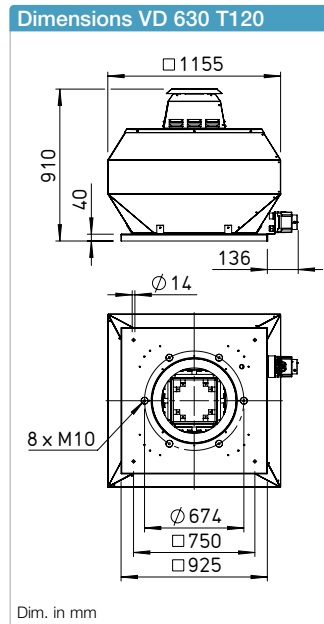
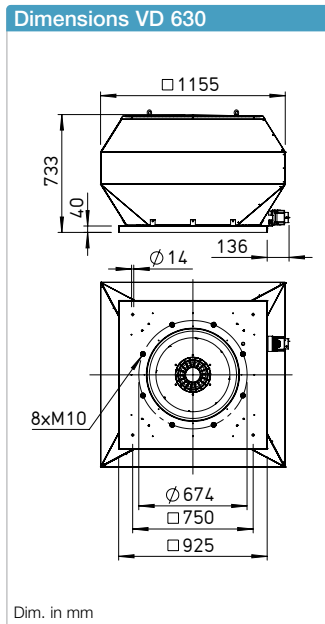
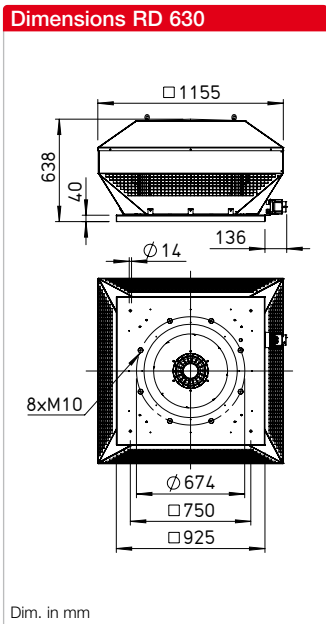
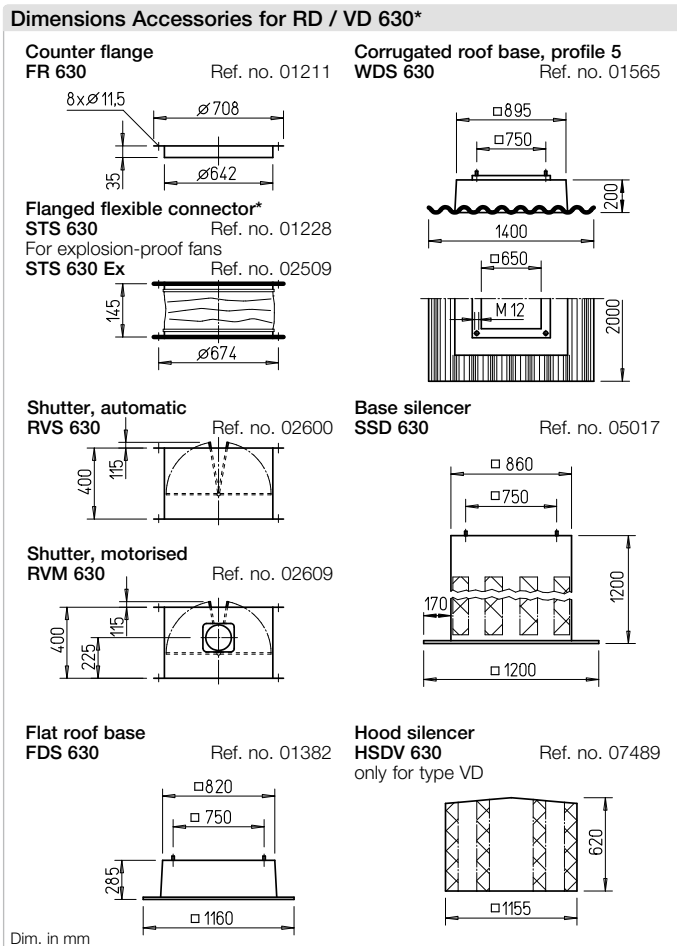




- Impeller**
 High-performance centrifugal impeller with backward curved blades made of aluminium. Dynamically balanced according to DIN ISO 21940-11 – quality grade 6.3.
- Drive**
 Speed-controllable external rotor motor in closed design (IP54) (explosion-proof version in IP44). Flange motor with self-ventilation (T120 version) in IP55. Ball bearing mounted with moisture protection. Maintenance-free and radio interference-free.



- Motor protection**
 Through built-in thermal contacts or built-in PTC thermistors, which must be connected to a motor protection circuit breaker. Assignment see type table.
- Electrical connection**
 No dismantling of casing, to external isolator switch (explosion-proof version to terminal box) in protection category IP65.
- Protection grille**
 On the outlet side as standard according to DIN EN ISO 13857.



Description RD

Horizontal outlet roof fan with efficiency-optimised aluminium casing and newly developed high-performance centrifugal impeller.

Description VD

Vertical outlet roof fan with efficiency-optimised aluminium casing and newly developed high-performance centrifugal impeller.

Description VD T120

Designed for the delivery of process air up to +120 °C. Enclosed motor located outside of the air flow. Compliant with VDI 2052.

Description of all series

- Casing**
 Casing made of sea water-resistant aluminium with integrated tamper protection. Motor support plate and base plate with inlet nozzle made of galvanised steel (explosion-proof version inlet nozzle made of aluminium). Base plate with threaded screws for attachment of inlet-side accessories (hole pattern according to DIN 24155).

- Power control**
 All types have continuously variable speed control in the range from 0 – 100 % with a frequency inverter with integrated, all-pole effective sine filter (except for explosion-proof version) or five-step control units (except for units with FU). Assignment see type table.
- Delivery**
 Units are ready-for-connection, fully pre-assembled in the shipping box. Easy positioning due to standard crane hook.

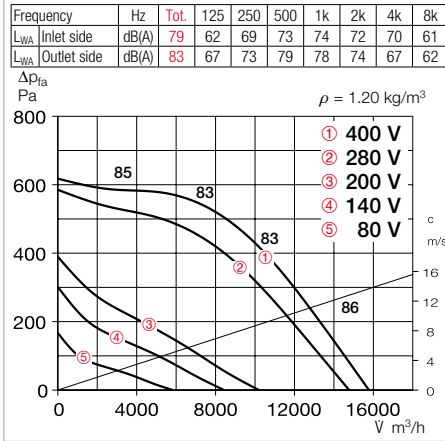
- Noise**
 The total level and range are specified above the performance diagram for:

 - Inlet side sound power
 - Outlet side sound power.
 The horizontally case-radiated noise as sound pressure at 4 m (free field conditions) is also specified in the type table. Hood silencer see Accessories.

References	Page
Planning information	14 ff.
Technical description	500 f.
Selection table	502 f.
Accessories, details	558 f.
Speed controllers, controllers and switches	599 ff.

* Accessories VD T120 see installation accessories p. 559 f. Other accessories upon request.

Performance curves RDD 630/6

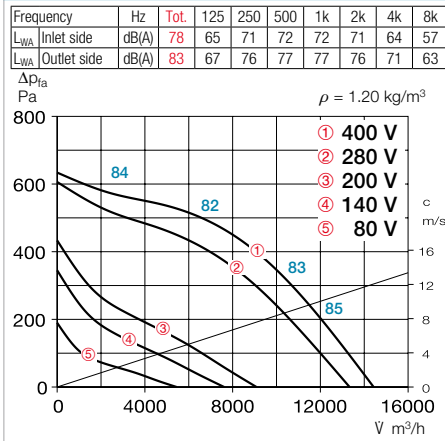


Type	Ref. no.	Speed	Flow rate Free blowing	Noise sound pressure	Power consump.	Current consump.		Wiring diagram	Max. air flow temp.		Weight net	Motor protection circuit breaker		Speed controller 5-step	
						at rated voltage	with control		at rated voltage	with control		Type	Ref. no.	Type	Ref. no.
Three phase current, 3~, 400 V, 50 Hz, Squirrel-cage rotor, Protection category IP54															
RDD 630/6	07447	875	16650	66	2380	4.7	5.2	1129	55	45	92.0	MD	05849	RDS 7²⁾	01578
Explosion-proof, II 3G Ex h IIB + H ₂ T3 Gc, Motor Ex nA, Three phase current, 3~, 400 V, 50 Hz, Protection category IP44															
RDD 630/6 Ex¹⁾	07450	905	16500	67.5	2690	5.4	5.6	1157	40	40	97.0	MSA	01289	TSD 7	01504

1) Performance diagram at www.HeliosSelect.de.

2) Includes motor protection circuit breaker.

Performance curves VDD 630/6



Type	Ref. no.	Speed	Flow rate Free blowing	Noise sound pressure	Power consump.	Current consump.		Wiring diagram	Max. air flow temp.		Weight net	Motor protection circuit breaker		Speed controller 5-step	
						at rated voltage	with control		at rated voltage	with control		Type	Ref. no.	Type	Ref. no.
Three phase current, 3~, 400 V, 50 Hz, Squirrel-cage rotor, Protection category IP54															
VDD 630/6	07441	930	14430	66	2130	4.6	4.95	1129	60	60	96.0	—	—	RDS 7²⁾	01578
Explosion-proof, II 3G Ex h IIB + H ₂ T3 Gc, Motor Ex nA, Three phase current, 3~, 400 V, 50 Hz, Protection category IP44															
VDD 630/6 Ex¹⁾	07448	910	14700	67	2660	5.3	5.5	1157	40	40	101.0	MSA	01289	TSD 7	01504
T120 Three phase current, 3~, 400 V, 50 Hz, Squirrel-cage rotor, Protection category IP55															
VDD 630/6 T120¹⁾	07456	985	19540	69	3160	7.5	7.5	1130	105	—	105.0	MSA	01289	FU-BS 10	05462

1) Performance diagram at www.HeliosSelect.de.

2) Includes motor protection circuit breaker.