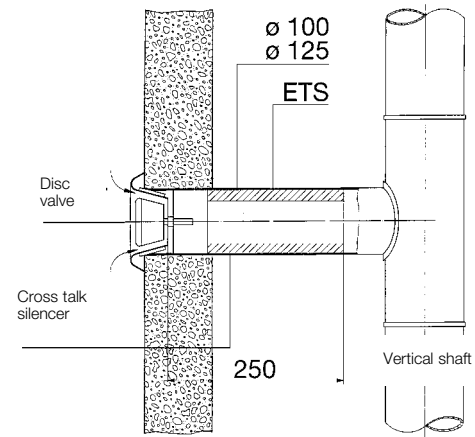


ETS


Installation example Cross talk silencer ETS (cut open)

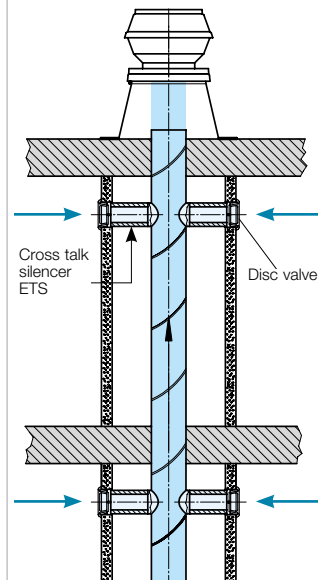
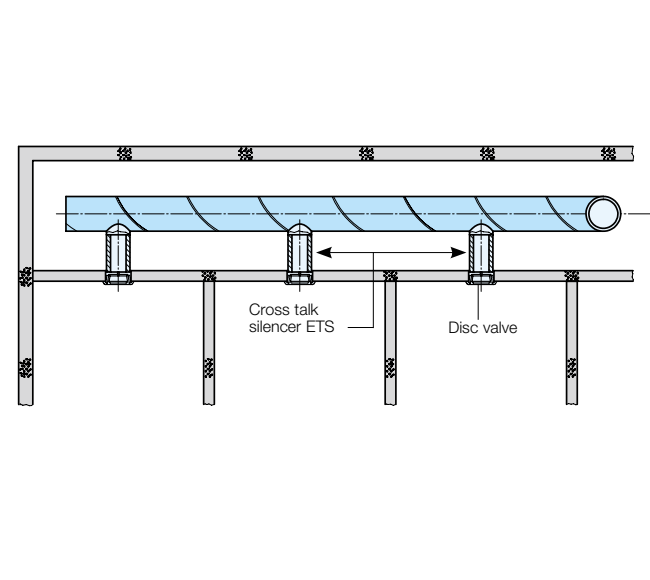
Dimensions ETS


Dimensions in mm

Surprisingly simple and cost-effective solution for reducing cross talk sound transmissions in central ventilation systems. Easy installation directly downstream of the disc valve in the duct.

Advantages

- Optimal solution for preventing sound transmissions through ventilation ducts or pipes.
- Excellent damping values pursuant to the diagram.
- Easy installation through insertion into the duct downstream of the disc valve.
- No increase in system resistance since the resistance value is below the set value of a disc valve.
- Minimisation of system construction costs due to the use of cost-effective duct systems.
- Can be used with disc valves from any manufacturer.

Vertical system section

Horizontal system section

Product range

ETS 100 Ref. no. 04521
Nominal duct size \varnothing 100 mm

ETS 125 Ref. no. 04522
Nominal duct size \varnothing 125 mm

Damping values

Damping values should be doubled before cross talk sound transmissions from room to room if each opening is equipped with an ETS.

Material

Open-cell foam with improved behaviour in case of fire, complies with DIN 4102, class B1.

Type	Ref. no.	Insertion loss D_e dB at Hz							
		63	125	250	500	1000	2000	4000	8000
ETS 100	04521	23	17	13	8	8	12	23	16
MTVA 100	08869	22	16	11	7	5	3	5	7
MTVZ 100	09604	22	17	11	8	5	5	6	6
ETS 100 + MTVA 100	04521 + 08869	23	18	13	10	11	15	29	24
ETS 100 + MTVZ 100	04521 + 09604	23	18	13	10	11	16	28	22
ETS 125	04522	21	16	11	7	8	12	22	11
MTVA 125	08870	20	14	9	6	4	4	4	6
MTVZ 125	09605	20	14	10	6	5	4	5	7
ETS 125 + MTVA 125	04522 + 08870	21	17	11	9	11	16	28	19
ETS 125 + MTVZ 125	04522 + 09605	20	14	9	6	4	5	9	12