

KWL EC 45-160



Efficiency class

- A+** KWL EC 45-160 with additional room sensor
- A** KWL EC 45-160



KWL EC 45-160 belongs to the category of switching ventilation units with heat recovery.

DIBt-approved (general technical approval), Z-51.3-417. It is intended for installation in the external building wall. The passage of air is from the outside of the wall through a stainless steel panel. A closable plastic panel on the inner side of the wall, which has integrated sound insulation and a fibre fleece air filter (class ISO Coarse 50% (G3)), is used for this purpose. The KWL EC 45-160 has an EC axial fan which operates in reversing cycles. In this respect, the supply air phases, where the intake air flows into the building, continuously alternate with the extract air phases, which are characterised by the extraction of indoor air from the building.

The heat recovery is regenerative using a ceramic heat exchanger. During extract air operation, this absorbs heat from the indoor air (storage charge) to transfer it to the incoming intake air (storage discharge) in the subsequent supply air cycle. Heat recovery efficiency up to 88% (according to current DIBt test procedure). There is an insect screen on the outside of the ceramic heat exchanger in order to protect against course dirt. In order to maintain balanced ventilation operation, at least 2 units are required for a residential unit, which operate out of phase in terms of operating phases (supply air/extract air). Depending on the total air requirement of the residential unit, more than 2 units are normally installed, whose individual volume flows are automatically coordinated using the central control unit.

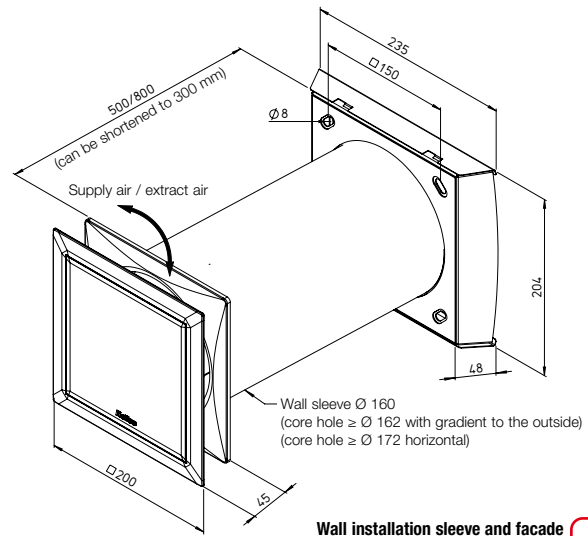
Highlights KWL EC 45-160

- Economical, quiet EC axial fan.
- Elegant and timeless design.
- Tool-free, simple installation and dismantling of components.
- Integrated sound insulation.
- Integrated ISO Coarse 50% (G3) air filter, easily accessible and changeable without tools.
- Simple, intuitive operation via two keys.
- LED display for operating mode and current ventilation level.
- Up to 8 controllable units.
- 5 ventilation levels: 14, 24, 32, 37, 45 m³/h.
- 4 operating modes: Heat recovery (= reversing operation), cross ventilation and supply air/extract air mode.
- Possibility of external activation from standby, cross ventilation, supply air mode or party mode (maximum ventilation level) by evaluating an external, potential-free contact.
- Intelligent integration of e.g. demand-controlled extract air fans via an extension module (accessories).
- Filter change indicator.
- Programming via PC.

Control

The central control unit with control element enables the controlling of up to 8 units. 5 ventilation levels and 4 operating modes can be set on the control element: Heat recovery (= reversing operation), cross ventilation and supply air/extract air mode. The user is reminded to replace the filter by flashing LEDs on the control element after a preset time period.

Dimensions KWL EC 45-160



Dimensions in mm

Wall installation sleeve and facade panel essential for unit installation.

GUI user interface

- It is possible to connect the control element to a PC or laptop via the USB interface with Helios software. This makes it easy and convenient to access the control settings.
- Thus, the commissioning and entry of required values (e.g. filter replacement interval or minimum ventilation level) within a very short time. All specified setting options can be changed quickly via the programme interface with the user-friendly assistance of appropriate help texts.
- The configuration settings can be stored directly on the PC or laptop and reloaded into the control system, if required. The installation costs in a larger building can be reduced to a minimum. If several identical ventilation

systems are installed, the required configuration is carried out once for a ventilation system and it can then be transferred to any number of control elements. Controller and software can be secured with a PIN.

- Replacement air filter**
- 2 pcs. ISO Coarse 50% (G3) ELF-KWL 45-160/3/3 No. 09366
- Sound insulation element**
- Sound insulation element for use in the soffit channel, fire protection class B1.** KWL 45 SEL No. 04170
- Sound insulation element for use in the wall sleeve, fire protection class B1.** KWL 45-160 SE No. 09362

Technical data						
Unit ¹⁾	KWL EC 45-160 ¹⁾					Ref. no. 09361
Flow rate at level	5	4	3	2	1	
supply air/extract air \dot{V} m ³ /h	45	37	32	24	14	
Sound pressure L _{PA} dB(A) at 3 m	34	29	27	21	14	
Sound power L _{WA}	52	47	45	39	32	
Standard sound level diff. D _{n,e,w} dB ²⁾	Facade panel 44 / Soffit					
Power consumption W	4.5	3.4	2.8	2.1	1.6	
Heat recovery efficiency ³⁾	up to 88 %					
Operating voltage mains adapter	Input 230 V~, 50/60 Hz / Output 12 V=					
Rated current mA	42	32	27	21	17	
El. supply line mains adapter ⁴⁾	NYM-0 2 x 1.5 mm ²					
El. supply line power supply control ⁴⁾	NYM-0 2 x 1.5 mm ²					
El. supply line to fan ⁵⁾	J-Y (ST) Y 3 x 0.8 mm					
Protection class III, protection cat.	IP20					
Wiring diagram no.	1091 / 1093					
Temperature operating range	- 12 °C to + 40 °C					
Weight (unit+inner panel) approx. kg	2.8					

¹⁾ The required wall installation sleeve and facade panel must be ordered separately. ²⁾ Test value. ³⁾ According to latest DIBt test procedure. ⁴⁾ Use of NYM-J 3 x 1.5 mm² is permitted. ⁵⁾ Use of J-Y (ST) Y 2 x 2 x 0.8 mm is permitted.

■ **Unit with inner panel**

KWL 45-160 No. 09361

Consists of design inner panel with filter, ceramic heat exchanger, flow straightener, insect screen, EC axial fan with protection grille, removal tool (cord) and EPP half shell base.



■ **Wall installation sleeve**

Length 500 mm

KWL 45-160 WH No. 09319

Length 800 mm

KWL 45-160 WH-L No. 09320
Ø 160 mm, plastic, incl. condensate wedge and 2 covers.



■ **Facade panel**

Made of stainless steel

KWL 45-160 FB-E No. 09321

With additional coating

KWL 45-160 FB-B No. 09322

For use in environments with severe air pollution or high salt concentration in the air (near the coast).

With white coating

KWL 45-160 FB-W No. 09323



■ **Facade panel DEEP**

Made of stainless steel

KWL 45-160 FBT-E No. 09324

For installation in external wall thicknesses from 250 – 300 mm.

With additional coating

KWL 45-160 FBT-B No. 09326

For use in environments with severe air pollution or high salt concentration in the air (near the coast).

With white coating

KWL 45-160 FBT-W No. 09340



■ **Control set UP**

KWL 45 STS-UP No. 03006

Consists of control element KWL 45 BEU and switching power supply KWL 45 SNU for installation in flush-mounted box. Allows the connection of up to 6 units. In case of more than 6 units, an additional KWL 45 SNU is required. Max. 8 units per control element.



■ **Reference**

A flush-mounted box (depth 61 mm) is required for the control element KWL 45 BEU and for each installed switching power supply KWL 45 SNU.

Control element (w/o adapter)

KWL 45 BEU No. 03041

■ **Control set HS**

KWL 45 STS-HS No. 03007

Consists of control element KWL 45 BEU and switching power supply KWL 45 SNH for top-hat rail (2 pcs). Allows the connection of up to 4 units. In case of more than 4 units, an additional KWL 45 SNH is required. Max. 8 units per control element.

■ **Switching power supply HS**

KWL 45 SNH No. 03001

For extending the control set KWL 45 STS-HS from 4 to 8 units.
Input 230 V AC, 50/60 Hz.
Output 12 V DC / 1.5 A for installation in distribution box (2 pcs). Output voltage according to SELV protection class 3.

■ **Installation package soffit***

KWL 45-160 LE-RP No. 08160

With wall sleeve and plaster protective cover. Made of EPP, fire protection class B1.



■ **Soffit grille**

Made of stainless steel

KWL 45 LG No. 04167

External grille with integrated condensate drain and seal.
Dim. mm (H x W) 324 x 74

With additional coating

KWL 45 LG-B No. 04168

For use in environments with severe air pollution or high salt concentration in the air (near the coast).

With white coating

KWL 45 LG-W No. 04169



Soffit grille

Insect screen

■ **Insect screen**

KWL 45 ISL No. 03004

Made of stainless steel.
For installation package soffit (KWL 45-160 LE-RP). Suitable for retrofitting.
Dim. mm (H x W) 203 x 48

■ **Installation kit pitched roof**

Colour: Black

KWL 45-160 SD-RP-S No. 40731

Colour: Red

KWL 45-160 SD-RP-R No. 40732

Pipe bend element incl. universal roof pan tile and roof hood.



■ **Pipe bend element**

KWL 45-160 SD-RS No. 40733

Pipe bend element without universal roof pan tile and roof hood.

■ **Wall stone**

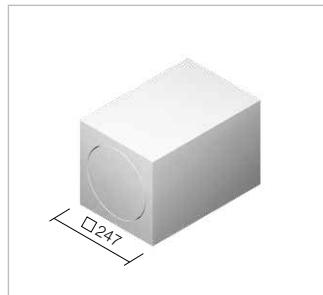
Length 365 mm

KWL 45-160 WS No. 09302

Length 490 mm

KWL 45-160 WS-L No. 09306

Installation aid for brickwork. Made of EPS, fire protection class B1. Replaces the otherwise necessary core hole drilling.



■ **Casing for surface installation**

KWL-APG No. 04270

■ **Extension module**

KWL 45 EM No. 03012

For the combined operation of an extract air system, e.g. according to DIN 18017, pt. 3 with KWL EC 45-160 (combined ventilation). Installation in flush-mounted box.
Dim. mm (WxHxD) 40 x 40 x 29

■ **Room sensor**

HY 3 No. 01359

With internal scale

HY 3 SI No. 01360

Electromechanical humidity controller for connection to the external contact of the control element. For surface installation. Function type can be adjusted using Helios software or control element.
Attention: Parallel use with KWL-EM is not possible.

* The element must always be overinsulated. It is not suitable for insulation thicknesses ≤ 10 cm and must not be installed in this case.