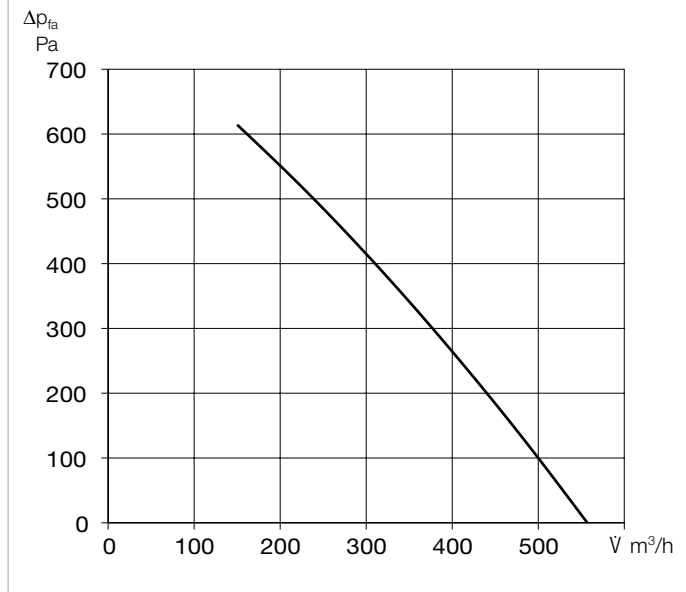


KWL YOGA Style 400



Performance curve KWL YOGA Style 400



Decentralised compact ventilation units with heat recovery for the supply and extract ventilation of individual rooms, such as classrooms, recreation rooms, offices, commercial units, medical practices and many more. Equipped with highly-efficient aluminium heat exchangers and energy-saving EC motors. Automatic shutters for intake and exhaust prevent cold draughts when the fans are deactivated. The flow-optimised supply air grille allows draught-free ventilation, even in large rooms, through the optimal use of the Coanda effect. Includes a touch control element for easy operation and configuration of unit functions.

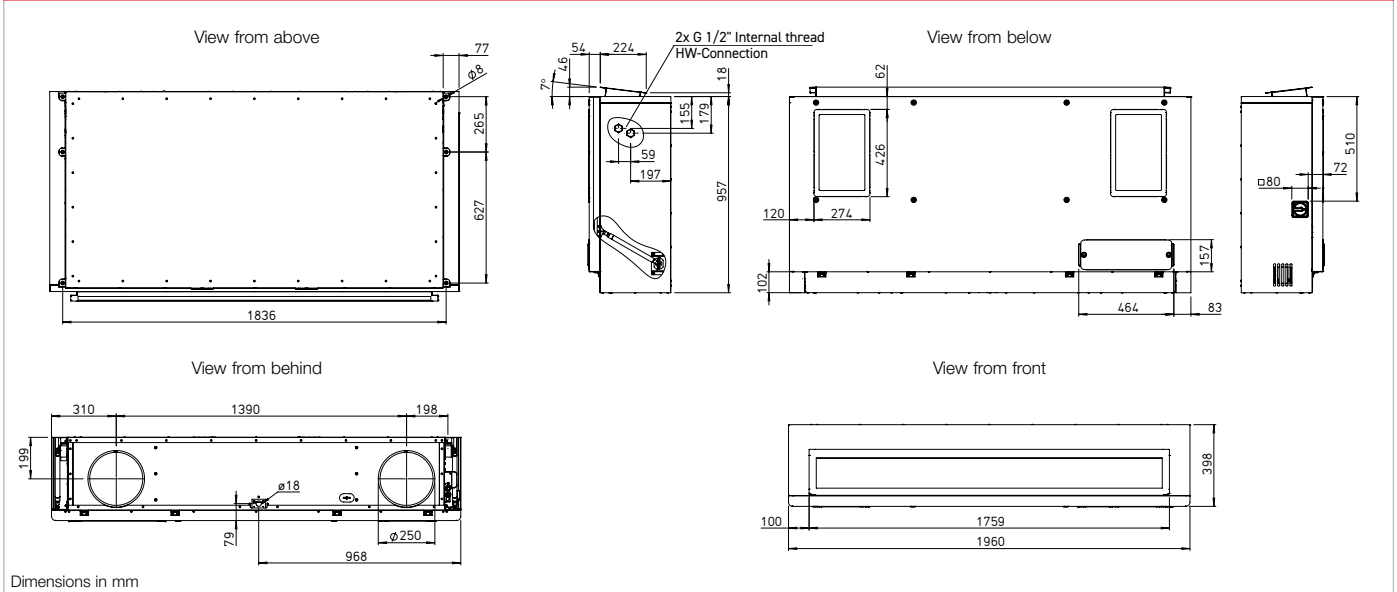
- Casing**  
Made of galvanised steel sheet, the casing parts are painted white/ powder-coated. The double-walled unit casing is equipped with 40 mm thermal and sound insulation on all sides. Easy installation and maintenance due to large inspection panel.
- Installation**  
Ceiling installation is carried out using the vibration-damping fastening elements included in the scope of delivery.
- Heat exchanger**  
Large aluminium cross counterflow heat exchanger with up to 90 % heat recovery efficiency. Dismantling is possible in a few steps. Types "ET" are equipped with highly efficient enthalpy heat exchanger for additional humidity recovery of up to 50%.

- Fans**  
Two low-noise, high-performance EC fans with backward curved impellers for maximum energy efficiency.
- Sensor system**  
Integrated CO<sub>2</sub> sensor system. Alternatively, this can be replaced by an external sensor (VOC, CO<sub>2</sub> or humidity) positioned in the room. KWL Yoga can also be controlled with a motion sensor (combination not possible!) instead of the sensors.
- Air flow**  
Supply air on front side, two extract air openings on the underside of the unit. Intake and exhaust air connectors are equipped with spring-loaded shutters.

- Condensate connection**  
Condensate connection horizontal (wall side), optionally via ball siphon in surface-mounted or flush-mounted design or via condensate pump.
- Air filter, VDI-certified**  
Clean intake air flow via ISO ePM<sub>1</sub> 60% filter (F7). Two filters for extract air: ISO Coarse 60% (G4); optionally available: ISO ePM<sub>10</sub> 60% (M5).
- Summer operation**  
Equipped with automatic bypass function (bypassing the heat exchanger to use the cool night air for controlling the room temperature) as standard.

	Without electrical preheater/ without electrical after-heater	Without electrical preheater/ with electrical after-heater	Without electrical preheater/ with warm water after-heater	With electrical preheater/ without after-heater	With electrical preheater/ with electrical after-heater
	<b>KWL YOGA Style 400</b> Ref. no. 40008	<b>KWL YOGA Style 400 EN</b> Ref. no. 40010	<b>KWL YOGA Style 400 WW</b> Ref. no. 40012	<b>KWL YOGA Style 400 EV</b> Ref. no. 40014	<b>KWL YOGA Style 400 EV/EN</b> Ref. no. 40016
	<b>KWL YOGA Style 400 ET</b> Ref. no. 40667	<b>KWL YOGA Style 400 EN ET</b> Ref. no. 40668	<b>KWL YOGA Style 400 WW ET</b> Ref. no. 40669	<b>KWL YOGA Style 400 EV ET</b> Ref. no. 40670	<b>KWL YOGA Style 400 EV/EN ET</b> Ref. no. 40671
Intake/exhaust air connector diameter	250	250	250	250	250
Air volume V m <sup>3</sup> /h (Min. - Max.)	200 - 600	200 - 600	200 - 600	200 - 600	200 - 600
Radiation L <sub>PA</sub> dB(A) in 1 m / 3 m (at 0 Pa)					
- 150 m <sup>3</sup> /h	26 / 20	26 / 20	26 / 20	26 / 20	26 / 20
- 200 m <sup>3</sup> /h	28 / 22	28 / 22	28 / 22	28 / 22	28 / 22
- 300 m <sup>3</sup> /h	31 / 25	31 / 25	31 / 25	31 / 25	31 / 25
- 560 m <sup>3</sup> /h	38 / 32	38 / 32	38 / 32	38 / 32	38 / 32
Maximum power consumption total (incl. control) W	350	1850	350	1850	3350
Rated current total (incl. control) A	2.45	9.0	2.45	9.0	15.51
Voltage / frequency	1~, 230 V, 50 Hz	1~, 230 V, 50 Hz	1~, 230 V, 50 Hz	1~, 230 V, 50 Hz	1~, 230 V, 50 Hz
Protection category IP	20	20	20	20	20
Temperature operating range °C	-10 to+40	-10 to+40	-10 to+40	-20 to+40	-20 to+40
Installation temperature °C	+5 to+40	+5 to+40	+5 to+40	+5 to+40	+5 to+40
Weight approx. kg	167	169	169	169	171
Wiring diagram no.	1500	1500	1500	1500	1500

Dimensions KWL YOGA Style 400



Dimensions in mm

■ Heat exchanger frost protection

The standard frost monitoring automatically regulates the supply air flow and the built-in electrical preheater, depending on the selected equipment.

■ After-heater

Unit variants with integrated post-heating (warm water or electrical after-heater) ensure the comfortable and energy-efficient post-heating of supply air. The target supply air temperature is set on the control element. The use of hydraulic unit type WSH HE 24 V (0-10V), (accessories) is recommended for controlling the warm water heating element.

■ Power control

The included comfort control element with touch functionality and easy menu navigation provide the following functions:

- Demand-oriented ventilation, optionally with CO<sub>2</sub>, VOC, or humidity sensor (1 sensor can be connected).
- Initial commissioning (automatic determination of system characteristic curve).
- Fire alarm contact connection.
- Weekly or daily programme.
- Automatic bypass (summer operation: use of cool night air).
- Pressure monitoring of filter contamination.
- Displays required filter replacement.
- 5 password-protected function levels can be configured.
- Control via central building control system possible (ModBus RTU and ModBus TCP, BACnet)
- Including control line cable (10 m)

■ Electrical connection

After removing the left side panel, the connection box is easily accessible on the outside of the casing. The isolator/main switch is located on the outside of the unit for easy maintenance. It can be locked using a padlock to prevent unauthorised access.

■ Sensors

**Infrared motion sensor** for detecting the presence of people in the room.

**BWM** Ref. no. 08323

**CO<sub>2</sub> sensor** for measuring the CO<sub>2</sub> concentration.

**AIR1/KWL-VOC 0-10V** No. 20250

**VOC sensor** for measuring the mixed gas concentration (VOC).

**AIR1/KWL-CO2 0-10V** No. 20251

**Humidity-temperature sensor** for measuring the relative air humidity.

**AIR1/KWL-FTF 0-10V** No. 20252

■ Control line cable

**KWL-SL eC 5m** Ref. no. 40179

**KWL-SL eC 10m** Ref. no. 40180

Control line cables in 5 or 10 meters for sensors.

**ALB EC-SK 20 20m** No. 06816

**ALB EC-SK 40 40m** No. 06817

8-pin AWG24 twisted pair cable for the control element.

■ Installation accessories

**Flush-mounted/wall-mounted siphon**

**KWL-KS WE** Ref. no. 40064

**Ball-tube siphon**

**KWL-KS** Ref. no. 40065

**Condensate submersible pump**

**KWL-KP-I** Ref. no. 40472

**Hydraulic unit**

**WSH HE 24V (0-10V)** No. 08318

**Facade grille, circular**

**FGR 250** Ref. no. 40181

■ Filter, VDI-certified

**Spare air filter (extract air)\***

ISO Coarse 60% (G4). Unit = 1 pc.

**ELF-KWL YOGA 400/VDI/Coarse 60%**

Ref. no. 40687

**Spare air filter (extract air)\***

ISO ePM<sub>10</sub> 60% (M5). Unit = 1 pc.

**ELF-KWL YOGA 400/VDI/ePM10 60%**

Ref. no. 40690

**Spare air filter (intake air)**

ISO ePM<sub>1</sub> 60% (F7). Unit = 1 pc.

**ELF-KWL YOGA 400/VDI/ePM1 60%**

Ref. no. 40693

\*2 extract air filters are required per unit.

**Attention:** For spare air filters of older unit generations (orders before March 2023); Please contact us at [export@heliosventilatoren.de](mailto:export@heliosventilatoren.de)

With electrical preheater/ with warm water after-heater
<b>KWL YOGA Style 400 EV/WW</b> Ref. no. 40018
<b>KWL YOGA Style 400 EV/WW ET</b> Ref. no. 40672
250
200 - 600
26 / 20
28 / 22
31 / 25
38 / 32
1850
9.0
1~, 230 V, 50 Hz
20
-20 to+40
+5 to+40
171
1500

■ Important note

Further information on accessories can be found on page 148.