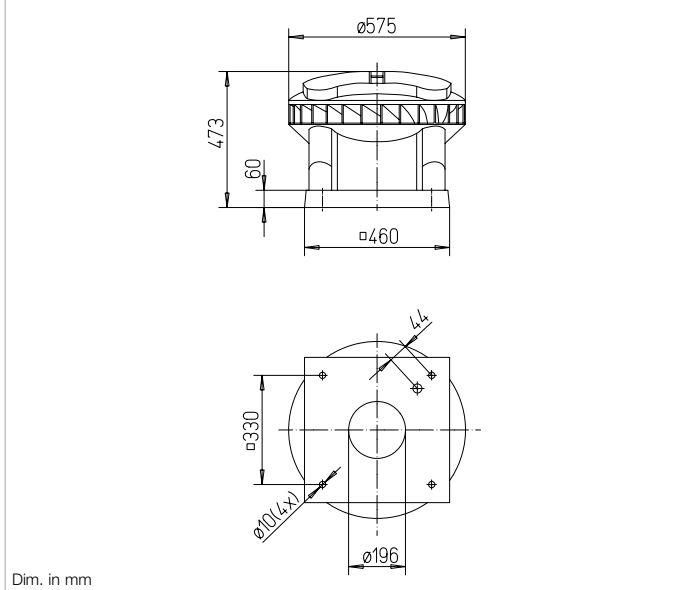


DV EC 200



Dimensions DV EC 200



Dim. in mm

Extremely weather-resistant EC roof fan in plastic design for an extensive range of applications, diagonal outlet.

Common features
 DV EC Pro and DV EC Eco

- **Casing**
 Aerodynamically designed plastic casing made of grey polypropylene with diagonal air outlet direction. Air flow temperatures from -30 to +60 °C.
- **Impeller**
 Diagonal impeller made of aluminium, the motor impeller unit is dynamically balanced for low-noise operation.
- **Drive**
 Energy-efficient EC external rotor motor in protection category IP54. Optimised efficiency even with speed control for low operating costs. Continuously variable speed control. Maintenance-free and radio interference-free, ball bearing mounted.
- **Motor protection**
 Integrated electronic temperature monitoring system for EC motor and electronics.

- **Electrical connection**
 Standard operating switch (protection category IP65) mounted on the outside of the casing. Connection voltage 1~, 230 V, 50 Hz.
- **Installation**
 Horizontal alignment on the roof. In case of sloping roofs, a corresponding base formation must be used to prevent water ingress. A range of accessories facilitates the installation of the fan in the building duct system.
- **Noise**
 The total level and range are specified above the performance diagram for:
 - Inlet side sound power
 - Outlet side sound power.
 The case-radiated noise as sound pressure at 4 m (free field conditions) is also specified in the type table and the table below the performance curve.

PRO

Description
 DV EC Pro

- **Power control**
 - Ideal as a central exhaust air fan for multi-floor residential construction in accordance with DIN 18017-3.
 - When combined with other components (accessories), a complete central ventilation system in accordance with DIN 18017-3 can be created with demand-driven ventilation.
 - Integrated time control for weekly or daily programme.
 - Integrated pressure sensor from 0 - 300 Pa for constant pressure maintenance in combined operation with other extract air fans, e.g. Helios ELS.
 - Short amortisation period due to high energy saving.
 - Operating modes of the DV EC Pro can be easily set on site via a local web server.
 - Integrated Ethernet interface (Modbus TCP) for connection to a building management system or for direct connection to the interface via PC/laptop (no accessories).

ECO

Description
 DV EC Eco

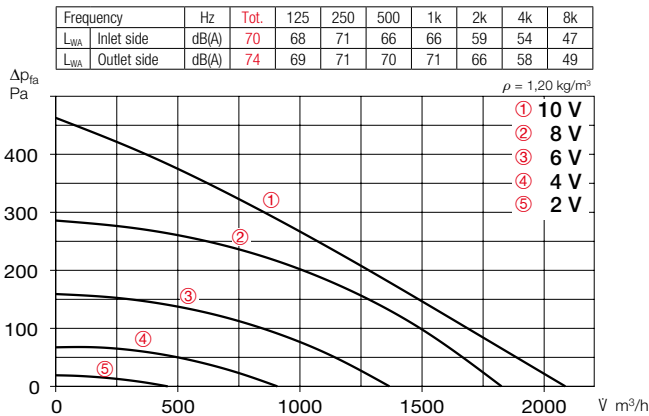
- **Power control**
 - Continuously variable speed control with speed potentiometer PU/PA 10 (accessories, see type table).
 - When combined with the universal control system EUR EC or electronic pressure/temperature controllers EDR/ETR (accessories, see type table), the fan can be used for the continuously variable control of differential pressure, differential temperature or flow velocity. Performance levels are shown in the performance curve as an example.

Type	Ref. no.	Maximum speed approx.	Flow rate Free blowing	Noise sound press.	Power consumption at maximum speed		Wiring diagram	Max. air flow-temp.	Wgt net aprx.	Universal control system		Speed potentiometer			
					kW	A				Type	Ref. no.	Type	Ref. no.	Type	Ref. no.
		min ⁻¹	V m ³ /h	dB(A) in 4 m	kW	A	No.	+ °C	kg	Type	Ref. no.	Type	Ref. no.	Type	Ref. no.
PRO Type DV EC Pro, Single-phase alternating current, 230 V, 50/60 Hz, EC motor, IP54															
DV EC 200 Pro	08385	1800	2090	54	0.18	1.31	1529	60	15.5	-	-	-	-	-	-
ECO Type DV EC Eco, Single-phase alternating current, 230 V, 50/60 Hz, EC motor, IP54															
DV EC 200 Eco	08320	1800	2090	54	0.18	1.31	1530	60	15.5	EUR EC ¹⁾²⁾	01347	PU 10 ³⁾	01734	PA 10 ³⁾	01735

1) Multiple EC fans can normally be connected.
 3) W/o LED supply.

2) Alternative elec. pressure/temp. controller (EDR/ETR, no. 01437/01438) in combination with mains adapter NG 24, no. 01439, see accessories.

Performance curves DV EC 200



Free blowing						
Voltage V	n min ⁻¹	V m ³ /h	P W	I A	Lp dB(A)	SFP kW/m ³ /s
10	1870	2100	175	1,28	54	0,30
8	1800	1650	120	0,95	49	0,25
6	1400	1400	55	0,46	43	0,14
4	830	900	20	0,20	33	0,08

■ Accessories for all types

Base silencer
SSD 200 Ref. no. 05290
With hinge mechanism for easy inspection and cleaning.

Flange connection plate
FAP 200 Ref. no. 08382
Made of galvanised steel sheet. Allows the connection of the duct system and accessories to the roof fans DV EC if no base silencer SSD is used.

Flat roof base
FDS 200 Ref. no. 01378
With hinge mechanism for easy inspection and cleaning.

Counter flange
DFR 200 Ref. no. 01201
Made of galvanised steel sheet, for inlet-side duct connection.

Flanged flexible connector
DSTS 200 Ref. no. 01218
For the prevention of structure-borne noise transmission to inlet-side ducts. Flanges made of galvanised steel sheet.

Duct shutter
DRVS 200 Ref. no. 02591
Automatic, made of galvanised steel sheet. Prevents cold draughts when the fan is at a standstill. For vertical throughflow from bottom to top.

■ Accessories for DV EC Eco

Universal control system
EUR EC Ref. no. 01347
For the continuously variable control or regulation of single and three-phase EC fans with a setpoint of 0–10 V DC.

Speed potentiometer
PU/PA 10 See type table
For the direct control/setpoint setting of EC fans with a potentiometer input.



■ Accessory details Page

Roof install. accessories	558 f.
Ventilation grilles	560 ff.
Exhaust air elements	574 ff.
Intake air elements	586 ff.
Fire protection systems	590 ff.
Universal control systems, electronic controllers, speed potentiometer	613 ff.