

KWL EC 60

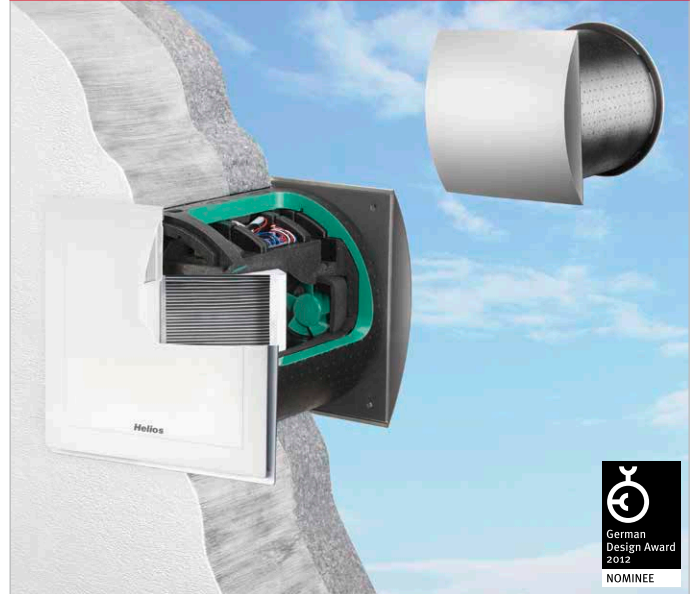


Efficiency class

- A** KWL EC 60 Pro FF
- B** KWL EC 60 Eco / Pro



Installation example KWL EC 60



Compact wall installation unit with heat recovery for the supply and extract ventilation of individual rooms. KWL EC 60 is a convincing solution for a comfortable indoor climate and energy savings in individual rooms. Ideal for bringing existing building structures up to the legally required EnEV standard during renovation. KWL EC 60 ventilates small and large individual rooms. The installation of multiple units is recommended for a medium-sized residential unit.

Ideal for renovation due to simple installation

KWL EC 60 is the optimal renovation solution, even for retrofitted installations. The intake air connection is simply through a core hole in the external wall, in which the wall sleeve is inserted. This simply takes place during the facade renovation. The openings are closed by two building protection covers. The elegant stainless steel outer facade is installed upon completion of plastering. The desired unit is inserted into the wall sleeve and electrically connected in the course of the interior work. Only the elegant facade can be seen on the room side, the front of which is completely closed. Thus, the KWL EC 60 blends discreetly into any room environment and bothersome dirt deposits on ventilation grilles are a thing of the past.

Aluminium plate heat exchanger with a heat recovery efficiency of over 70 %

The KWL EC 60 saves expensive heating energy due to the efficient and large-dimensioned aluminium plate heat exchanger with a heat recovery efficiency of over 70 %.

ECgreenVent by Helios

Particularly energy-saving ventilation units with EC technology, such as Helios KWL EC 60, are marked with the ECgreenVent label. KWL EC 60 allows the demand-dependent supply and extract ventilation of individual rooms with heat recovery; multiple units can be independently controlled. Adjustment is not necessary.

Functionality of the KWL EC 60 ventilation with heat recovery

Two highly efficient direct current EC fans ensure a uniform air exchange. Contaminants, odours and the stale room air is moved outside, and fresh, preheated air is supplied to the room. The heat is transferred from the stale extract air to the fresh supply air in the large aluminium plate heat exchanger, whereby both airflows remain separate.

Delivery / scope of order

Designed for the installation steps, the following elements can be ordered separately:

- Installation kit**

KWL 60 RS	No. 00708
KWL 60 RS-B	No. 01961

 Consists of wall sleeve (349 mm long), two building protection covers, outer facade and deflector plate made of stainless steel (type RS-B with additional coating*).
- Unit optionally available in Eco or Pro version.**

* The external components, such as facade panel, spacer frames and protection grille, are made of high-quality stainless steel. Alternatively available in coated version (types -B) for use in environments with severe air pollution or high salt concentration in the air (near the coast).

Common features Eco and Pro

- Heat exchanger**
 Large aluminium plate heat exchanger with a heat recovery efficiency of over 70 %.
- Air delivery**
 Two highly efficient direct current EC fans ensure a uniform air exchange.
- Condensate drain**
 Condensate is drained outside directly via the deflector plate on the external cover.
- Air filters**
 Two efficient air filters (class ISO coarse 60% (G4)) in the supply air and extract airflow guarantee the best air purity. An ISO ePM_{2.5} 65% (F7) pollen filter on the supply air side is optional.

ECO

KWL EC 60 Eco
The economical solution with a favourable price / performance ratio for all applications.

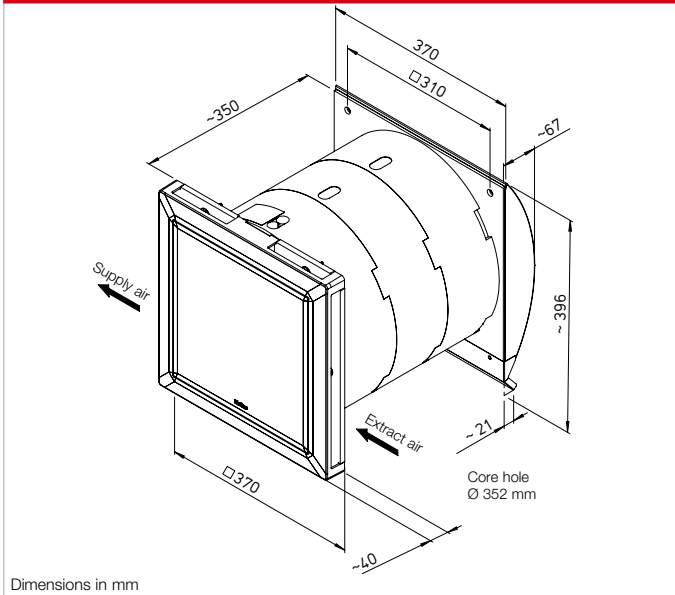
Unit Eco
KWL EC 60 Eco No. 09950
 Consists of inner facade made of high-quality plastic with an integrated, three-step control element.

- Power control**
 Three-step operation via the control element integrated in the inner facade (can be placed at the top or bottom by rotating the facade 180°).
 0 position via on-site off-switch.
- Electrical connection**
 Via screwless terminals.

Technical Data			
Unit ¹⁾	KWL EC 60 Eco ¹⁾		Ref. no. 09950
Flow rate at level ²⁾	③	②	①
supply air/extract air \dot{V} m ³ /h	60	30	17
Noise dB(A)			
radiation L _{PA} at 3 m	30	22	18
Power consumption Fans 2xW	4	2	1
Standard sound level diff. D _{n,e,w} dB	39 – 41		
Voltage/Frequency	230 V~, 50 Hz		
Rated current A	0.05		
Protection category IP	X4		
Electrical supply line	NYM-J 3 x 1.5 mm ²		
Wiring diagram no.	949		
Temperature operating range	– 20 °C to + 40 °C		
Weight approx. kg	6.5		

¹⁾ The required installation kit (types KWL 60 RS) must be ordered separately (see above for details).
²⁾ Volume reduction of approx. 10 % when using pollen filters.

Dimensions EcoVent KWL EC 60



Dimensions in mm

PRO

KWL EC 60 Pro / Pro FF
Meets even the highest comfort requirements with many useful functions.

Unit Pro

KWL EC 60 Pro No. 09951
Consists of inner facade made of high-quality plastic and comfort control element (KWL-BCU, 1 pc. included in delivery). See right for details.

Unit Pro FF

KWL EC 60 Pro FF No. 09957
Like KWL EC 60 Pro, but with additional integrated humidity sensor for demand-dependent ventilation. The humidity values can be adjusted.

Power control

The comfort control element with graphic display and user-friendly menu navigation, which is included in the delivery, enables the following functions:

- Four-step manual operation or with digital weekly timer.

- Control via intelligent CO₂ sensors (accessories, connection of up to 4 pcs. possible.)
- Supply air/extract air operation individually switchable.
- Party mode, intensive ventilation.
- Indication of necessary filter replacement, operating status, operating hours, error messages.
- Multiple units can be controlled via one control element.
- Multiple control elements can be connected to one unit.

Shutters

In case of absence (holiday) or standstill periods, two airtight shutters will close outwards or one airtight shutter will close in case of supply air or extract air operation.

Electrical connection

Via plug-in coupling (included in delivery.)

Technical data

Unit ¹⁾	KWL EC 60 Pro ¹⁾				Ref. no. 09951
– incl. humidity sensor	KWL EC 60 Pro FF ¹⁾				Ref. no. 09957
Flow rate at level²⁾					
Supply/extract air V m ³ /h	60	45	30	17	
Noise dB(A)					
Radiation L _{pA} at 3 m	30	29	22	18	
Power consumption Fans 2xW	4	3	2	1	
Standard sound level diff. D _{n,e,w} dB	39 – 41				
Voltage/Frequency	230 V~, 50 Hz				
Rated current A	0.06				
Protection category IP	X4				
Electrical supply line	NYM-J 3 x 1.5 mm ²				
Wiring diagram no.	950				
Temperature operating range	– 20 °C to + 40 °C				
Weight approx. kg	6.5				

¹⁾ The required installation kit (types KWL 60 RS) must be ordered separately (see above for details).
²⁾ Volume reduction of approx. 10% when using pollen filters.

Delivery / scope of order

Designed for the installation steps, the following elements can be ordered separately:

Installation kit

KWL 60 RS No. 00708
KWL 60 RS-B No. 01961
As described on the left.

Unit optionally available in Eco or Pro version.

Common accessories

Wall sleeve extension

KWL 60 WV No. 00884
For wall thicknesses from 349 to 571 mm. Can be optionally shortened or connected, 111 mm long, with separator.

Sound insulation set

KWL 60 SDS No. 03059
Consists of sound insulation frame and matting, white, 100 mm deep. Noise reduction up to 6 dB.

Spacer frame

KWL 60 DR No. 00888
KWL 60 DR-B No. 01962
External stainless steel frame, 100 mm deep, with separator. For wall thicknesses from 249 to 349 mm.

Protection grille

KWL 60 SG No. 09978
KWL 60 SG-B No. 09976
Made of stainless steel (2 pcs.), for side attachment to outer facade.



Installation kit essential for unit installation.

Replacement air filter

– 2 pcs. ISO coarse 60% filter
ELF-KWL 60/4/4 No. 09445
– 2 pcs. ISO ePM_{2,5} 65% filter
ELF-KWL 60/7/7 No. 09446



PRO

Accessories for KWL EC 60 Pro Control element (additional)

KWL-BCU (Flush-mounted) 09955
Dim. mm (WxHxD) 80x80x37
Display and function as described on the left. 1 KWL-BCU included in delivery. Connection of up to 4 pcs. possible. Delivery incl. 3 m connection cable.

KWL-BCA (Surface-mounted) 09956
Dim. mm (WxHxD) 83x83x51

Casing for surface installation
KWL-APG No. 04270
Dim. mm (WxHxD) 83x83x41

Connection cable

KWL-SL 6/5 (5 m) No. 09980
KWL-SL 6/10 (10 m) No. 09444
KWL-SL 6/20 (20 m) No. 09959

For distances > 3 m, with 2 RJ 12 plugs. For connection between control element and KWL EC 60 Pro or between multiple units.

Connection cable branch

KWL-ALA No. 09960

For the connection of additional units or control elements and accessory components (1 pc. always required) which are not included in the delivery.

