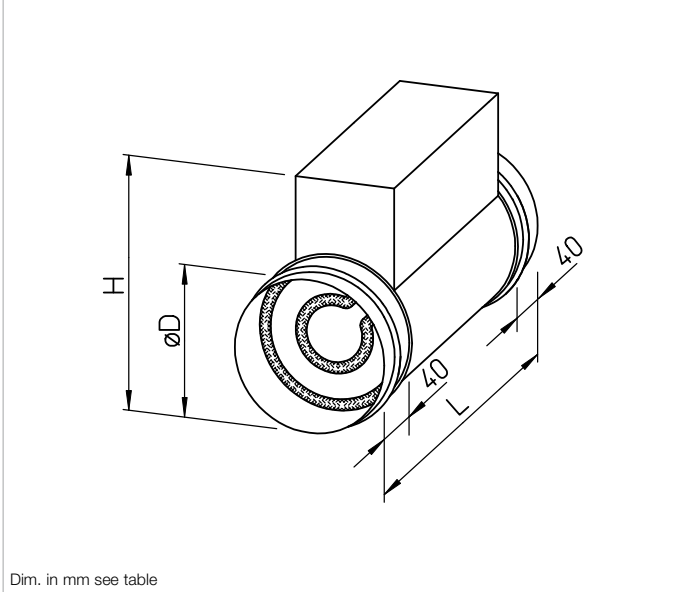


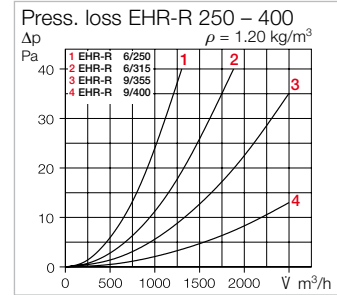
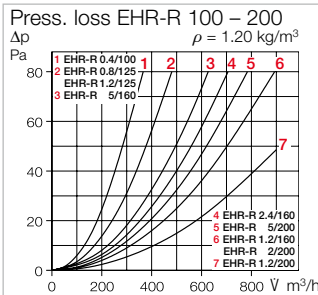
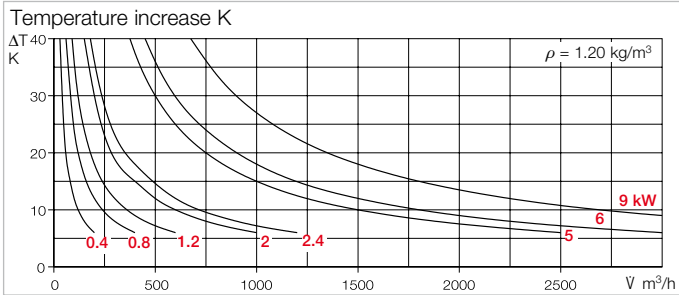
EHR-R



Dimensions EHR-R



Dim. in mm see table



■ Electric heating element EHR-R

Closed tubular heating element-made of stainless steel with low surface temperature. Duct casing with terminal box made of galvanised steel sheet for installation in commercial pipe systems. Equipped with an automatically resetting temperature limiter (activation temperature 50 °C) and a manually resettable temperature limiter (activation temperature 120 °C). Protection category IP40.

■ Installation instructions

Install the heating element in the flow direction downstream of the fan. In case of installation upstream of the fan, ensure that the air flow temperature at the fan does not exceed its maximum permissible temperature. A duct piece of at least 1 m in length must be installed between the fan and the heating element. The minimum heating element air volume must be maintained. The heating element must be connected so that operation is only possible when the fan is activated. If the tem-

perature monitor is triggered, the heating element must deactivate automatically. The heating elements can be operated in groups by using appropriate wiring, so that the reduction of heat output is possible.

■ Selection and operation

Heating elements create additional pressure loss which must be taken into account for overall system dimensioning. An air flow temperature increase depends on the volume flow and heat output (see diagrams). In

order to prevent unwanted temperature monitor deactivation, the minimum air flow rate (see table) must be maintained.

■ Accessories

Electronic temperature control system

EHS see type table
Controls the heat output of the heating element depending on the difference between the setpoint and actual value for supply air temperature, which serves as a reference variable.

Duct sensor (Accessory for EHS)

TFK Ref. no. 05005
Temperature sensor for detecting the air temperature in air ducts.

Room sensor (Accessory for EHS)

TFR Ref. no. 05006
Temperature sensor with integrated setpoint adjuster for surface mounting. Also suitable simply as a temperature sensor or simply as a setpoint adjuster.

■ Reference

DIN VDE 0100-420 must be observed on site; suitable air flow monitoring and electrical locking must be provided.

■ Accessories Page

Electronic temperature control system EHS 487

Type	Ref. no.	Power kW	Switching groups no.	Current con- sum. A	Min. volume flow m³/h	Compat. with fan NS mm	Wiring diagram ¹⁾ No.	Dimensions			Weight approx. kg	Compatible temperature control system		
								Ø D mm	H mm	L mm		Type	Ref. no.	
1-, 230 V														
EHR-R	0.4/100	08708	0.4	1 x 0.4	1.7	45	100	813	100	185	325	2.0	EHS	05002
EHR-R	0.8/125	08709	0.8	1 x 0.8	3.5	70	125	813	125	225	325	2.0	EHS	05002
EHR-R	1.2/125	09433	1.2	1 x 1.2	5.2	70	125	813	125	225	325	2.4	EHS	05002
EHR-R	1.2/160	09434	1.2	1 x 1.2	5.2	110	160	813	160	260	380	2.6	EHS	05002
EHR-R	2.4/160	09435	2.4	1 x 2.4	10.4	110	160	814	160	260	380	3.0	EHS	05002
EHR-R	1.2/200	09436	1.2	1 x 1.2	5.2	180	200	813	200	300	380	2.8	EHS	05002
EHR-R	2/200	09437	2.0	1 x 2.0	8.7	180	200	813	200	300	380	3.2	EHS	05002
2-, 400 V														
EHR-R	5/160	08710	5.0	1 x 5.0 parallel	12.5	110	160	815	160	260	380	4.0	EHS	05002
EHR-R	5/200	08711	5.0	1 x 5.0 parallel	12.5	180	200	815	200	300	380	4.6	EHS	05002
EHR-R	6/250	08712	6.0	1 x 6.0 parallel	15.0	270	250	815	250	350	380	7.3	EHS	05002
EHR-R	6/315	08713	6.0	1 x 6.0 parallel	15.0	420	315	815	315	415	380	9.2	EHS	05002
3-, 400 V														
EHR-R	9/355	08656	9.0	1 x 9.0 in Δ	13.0	550	355	816	355	455	380	12.5	EHS 16	05003
EHR-R	9/400	08657	9.0	1 x 9.0 in Δ	13.0	680	400	816	400	500	380	13.1	EHS 16	05003

¹⁾ Principle connection for all types No. 476.2.