

Description for all types

- **Casing**
 Made of galvanised steel sheet.
- **Impeller**
 High performance characteristics with profiled blades made of plastic, dynamically balanced. Different for explosion-proof types.
- **Drive**
 Closed die-cast aluminium casing. Protection category IP55. Ball bearing mounted. Maintenance-free and radio interference-free. Winding with moisture proof coating. See type table for max. air flow temperature. Different for explosion-proof types.
- **Motor protection**
 All types (except for ..8/4 and explosion-proof types, see page 180) are equipped with thermal contacts. These should be wired with the motor protection circuit breaker (see type table) for

- effective motor protection. Motors without thermal contacts must be protected by means of on-site a motor protection circuit breaker.
- **Electrical connection**
 Standard terminal box (IP55) on back of motor. Additionally on outside of duct for HRF types. Different for explosion-proof types.
- **Protection grille**
 Made of powder-coated steel for HQ and HW (HQ.. Ex galvanised). In accordance with DIN EN ISO 13857.
- **Power control**
 The voltage-controllable types are identified in the "Current consumption max. with control" column with a value which must be observed when determining the controller (see speed controller column). Possible assignments of frequency inverters to fans are shown in the type

- table. The planned use of a frequency inverter without a sine filter should be indicated when placing the order. This requires a change of fan version and additional costs, if necessary. The flow rates are shown in the performance diagram.
- **Reverse operation**
 All types are reversible using a reverser switch. Performance reduction of approx. 1/3 in abnormal flow direction.
- **Installation**
 Installation possible in any position, but be aware of any condensate drain holes depending on usage.
- **Dimensions**
 Pole-changeable and explosion-proof types may differ from the above information.

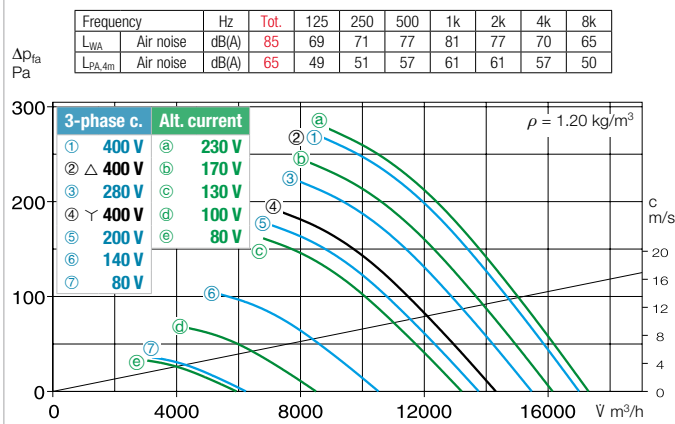
- **Noise levels**
 See performance diagram. The sound power and sound pressure at 4 m distance under free field conditions are specified for the average operating point on the inlet/outlet side. See page 14 f for noise emissions and room acoustics. Different for explosion-proof types.

Reference	Page
Techn. description	180
Selection table	181
Planning information	14 ff.
Special design	
Different voltage, protection category, air flow direction, higher air flow temperature, acid protection and impeller in other materials upon request.	
The technical information on p. 19 ff. must be observed.	

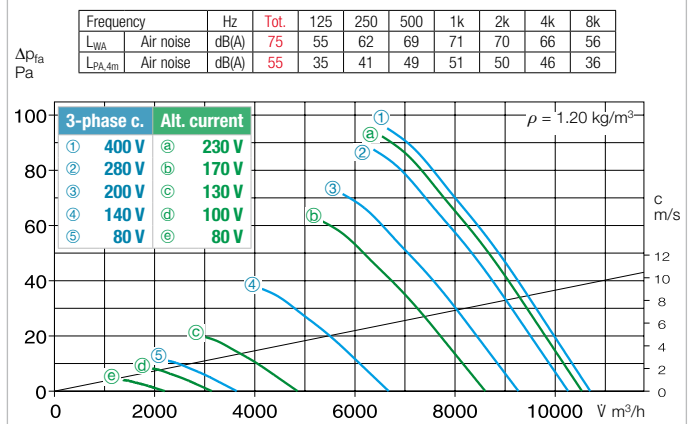
Speed	Flow rate free-blowing	Power consump.	Current consump.		Wiring diagram	Max. air flow temp.		Weight net appr.	Design type						
			at rated voltage	max. with control		at rated voltage	with control		HQ incl. protection grille	Ref. no.	HW incl. protection grille	Ref. no.	HRF	Ref. no.	Dim. B Motor protrusion in mm
min ⁻¹	V m ³ /h	W	A	A	No.	+ °C	+ °C	kg							
Single-phase alternating current, 230 Volt, 50 Hz, Capacitor motor, protection category IP55															
950	10530	0.44	2.16	3.20	475	60	40	28.0	HQW 630/6	05037	—	—	—	—	—
1325	16210	1.50*	8.40*	7.00	964	40	—	40.0	HQW 630/4	05056	—	—	HRFW 630/4	05057	30
Three-phase current, 400 Volt, 50 Hz, Squirrel-cage rotor, protection category IP55															
710	7810	0.20	0.66	0.70	469	40	40	27.0	HQD 630/8	05029	—	—	—	—	—
960	10560	0.44	1.22	—	469	60	40	30.5	HQD 630/6	05027	HWD 630/6	01032	HRFD 630/6	00244	—
Two-speed, three-phase current, 400 V, 50 Hz, ∇/Δ connection, protection category IP55															
1170/1390	14310/17000	0.90/1.57	2.3/3.8	—	520	40	—	37.5	HQD 630/4/4	05030	HWD 630/4/4	01033	HRFD 630/4/4	00245	—
Pole-changeable, 2 speeds, three-phase current, Dahlander winding, 400 Volt, 50 Hz, protection category IP55															
440/935	5290/10470	0.14/0.43	0.60/1.13	—	472	60	—	41.0	HQD 630/12/6	05031	—	—	HRFD 630/12/6	00410	—
690/1400	7990/15990	0.37/1.50*	1.33/3.70*	—	471	40	—	40.5	HQD 630/8/4	05032	—	—	HRFD 630/8/4	00411	—
 Ex Explosion-proof, II 2G Ex h IIB + H₂ T3 Gb, Motor Ex e, three-phase current 400 Volt, 50 Hz, protection category IP55															
945	10480	0.55*	1.60*	—	470	40	—	30.0	HQD 630/6 Ex	05035	—	—	HRFD 630/6 Ex	00494	—
1410	17730	1.35*	3.10*	—	470	40	—	35.0	HQD 630/4 Ex	05036	—	—	HRFD 630/4 Ex	00495	—

* For Ex types: Motor ratings see information on page 20. ¹⁾ Incl. motor protection circuit breaker. ²⁾ Flush-m. version see Switch product page.

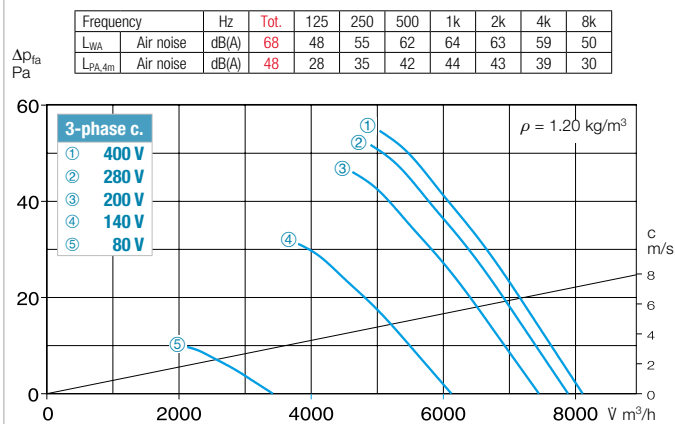
Performance curves 630/4



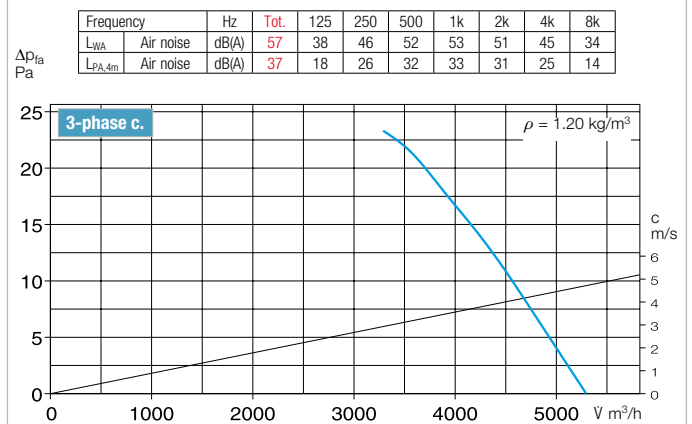
Performance curves 630/6



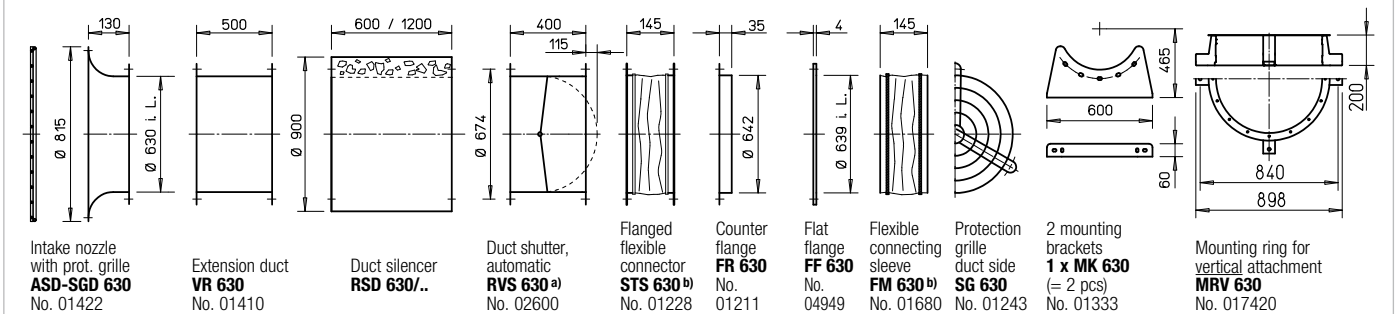
Performance curves 630/8



Performance curve 630/12



Accessories for HRF 630 Description see page 276 ff.



a) Shutter, motorised see Accessories product pages.

b) See below for types for explosion-proof fans.

Frequency inverter with integrated sine filter		Transformer speed controller 5-step, pole changing switch		Electronic speed controller, continuously variable flush-m./surface-m.		Motor protection circuit breaker for connecting built-in thermal contacts		Reverser switch	
Type	Ref. no.	Type	Ref. no.	Type	Ref. no.	Type	Ref. no.	Type	Ref. no.
—	—	MWS 3 ¹⁾	01948	ESU 5/ESA 5	01296/01299	MW	01579	WS	01271
—	—	MWS 7.5 ¹⁾	01950	—	—	MW	01579	WS	01271
FU-BS 2.5 ¹⁾	05459	RDS 2 ¹⁾	01315	ESD 5 ¹⁾	00501	MD	05849	WS	01271
FU-BS 2.5 ¹⁾	05459	RDS 2 ¹⁾	01315	ESD 5 ¹⁾	00501	MD	05849	WS	01271
FU-BS 5.0 ¹⁾	05460	RDS 4 ¹⁾	01316	ESD 5 ¹⁾	00501	M 4 ³⁾	01571	WS	01271
—	—	Pole changing switch		—	—	M 3 ³⁾	01293	PWDA	01282
—	—	PDA 12 ²⁾	05081	—	—	M 3 ³⁾	01293	PWDA	01282
—	—	not permitted	not permitted	not permitted	not permitted	—	—	—	—
—	—	not permitted	not permitted	not permitted	not permitted	—	—	—	—

³⁾ Incl. speed pole changing switch.

Other accessories Page

^{b)} Access. for expl.-proof fans	
Flanged flexible connector STS 630 Ex	Ref. no. 02509
Silencers	494 ff.
Shutters and ventilation grilles	561 ff.
Speed controllers, controllers and switches	599 ff.
Flexible connecting sleeve FM 630 Ex	Ref. no. 01696