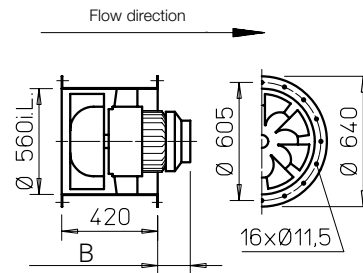


VAR 560



Also available in version:

Dimensions VAR 560



Dim. B see table
 Dim. in mm

■ Casing

Duct with double-sided flange DIN 24155 p. 3. Made of galvanised steel sheet, fixed guide wheel with inner hub for mounting the flange motor.

■ Impeller

Optimised for high pressure and volume performance. Special development with spatially curved blades made of hot-dip galvanised steel.

■ Drive

Directly through maintenance-free flange motor. Closed design type IP54. Aluminium or grey cast iron casing with cooling fins. Radio interference-free, sealed ball bearings. Tropicalised winding with moisture proof coating. With condensate drain holes upon request (except for explosion-proof types), and the installation method must be indicated when placing the order.

■ Power control

The voltage-controllable types are identified in the "Current consumption with control mode" column with a value which must be observed when determining the controller (see Speed controller column). The flow rates are shown in the performance diagram. Explosion-proof types are not controllable.

■ Electrical connection

Standard terminal box (protection category IP55) on outside of duct.

■ Installation

Installation possible in any position; but be aware of any condensate drain holes depending on usage.

■ Motor protection

All types (except for explosion-proof models) are equipped with thermal contacts. These should be wired with the motor protection circuit breaker (see type table) for effective motor protection. Motors without thermal contacts must be protected by means of on-site a motor protection circuit breaker.

■ Noise levels

See sound power information above performance diagram. The lower sound pressure value can be determined using the diagram on the "Technical information" page. See page 14 f for noise emissions and room acoustics.

Reference	Page
Techn. description	254
Selection table	255
Planning information	14 ff.

■ Special design

Different voltage, frequency, protection category, higher air flow temperature and acid protection upon request.

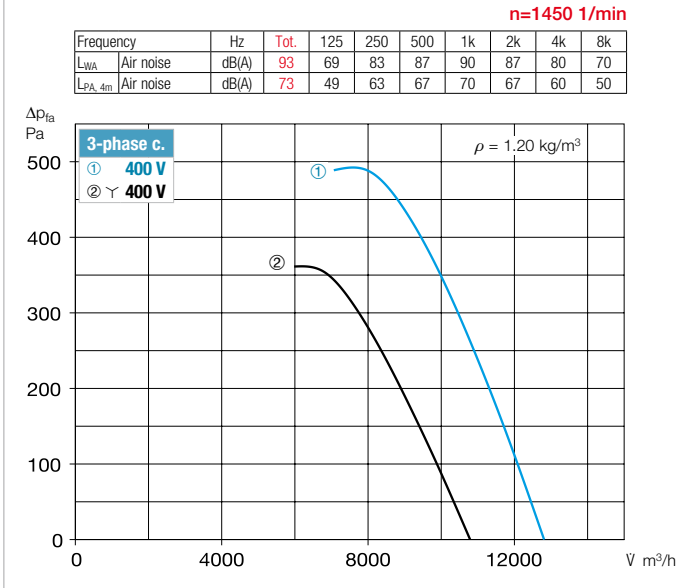
The technical information on p. 19 ff. must be observed.

Type	Ref. no.	Speed min ⁻¹	Flow rate free-blow. m ³ /h	Power consump.* kW	Voltage V	Current consumption*		Wiring diagram No.	Max. air flow temp.		Weight net ca. kg	Dim. B Motor protru- sion mm	Speed controller 5-step Pole chang. switch		Motor protection circuit breaker for connecting built-in thermal contacts		Vibration dampers		
						at rated voltage A	with control A		at rated voltage +°C	with control +°C			Type	Ref. no.	Type	No.	Compr. Type	Tens. Type	
Two-speed, three-phase current, 50 Hz, Y/Δ connection, protection category IP54																			
VAR 560/4/4	06711	1130/1380	10780/12810	2.20/3.00	400Y/Δ	3.5/5.9	6.5	520	60	40	95.0	159	RDS 7 ¹⁾	01578	M 4 ²⁾	01571	SDD 2	SDZ 2	
Pole-changeable, 2 speeds (Dahlander winding YYY), Three-phase current, 50 Hz, protection category IP54																			
VAR 560/8/4	06790	705/1440	6590/13570	0.90/3.60	400	2.9/8.3	—	471	60	—	100.0	175	PDA 12 ³⁾	05081	—	—	SDD 2	SDZ 2	
Explosion-proof, II 2G Ex h IIB T3 Gb, Motor Ex e, three-phase current 400 Volt, 50 Hz, protection category IP55																			
VAR 560/8 Ex	06712	700	7120	0.37	400	1.61	—	470	40	—	85.0	84	not permitted	not permitted	—	—	SDD 2	SDZ 2	
VAR 560/6 Ex	06713	950	9360	1.10	400	2.70	—	470	40	—	90.0	180	not permitted	not permitted	—	—	SDD 2	SDZ 2	
VAR 560/4 Ex ⁴⁾	06714	1440	14980	3.60	400	7.70	—	498	40	—	105.0	190	not permitted	not permitted	—	—	SDD 2	SDZ 2	

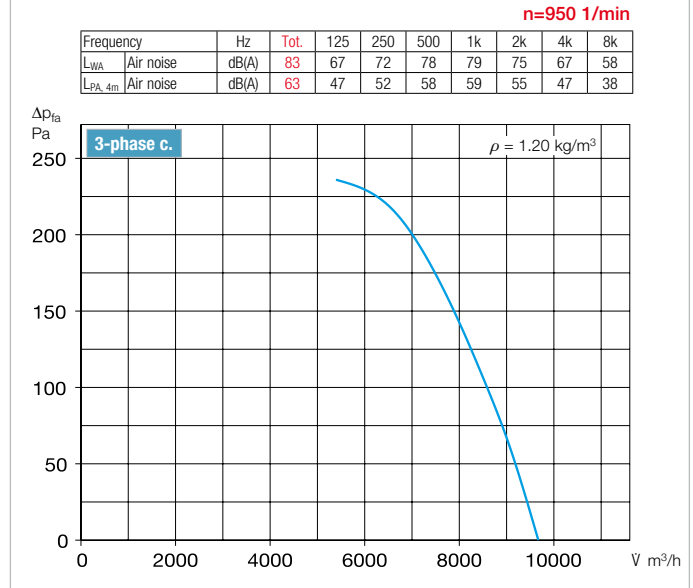
* For Ex types: Motor ratings see information on page 20. ¹⁾ incl. motor protection circuit breaker. ²⁾ includes operating and speed switch. ³⁾ Flush-m. version see Switch product page.

⁴⁾ A vibration monitoring system (on-site) must be provided according to DIN EN 14986.

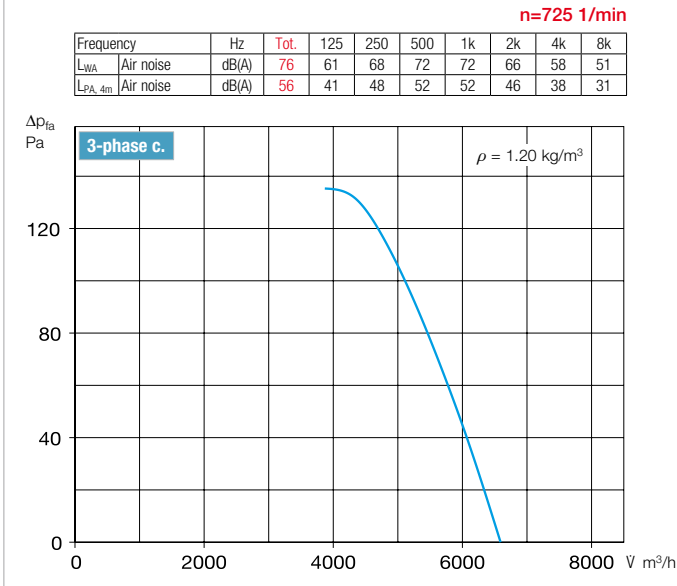
Performance curves VAR 560/4



Performance curve VAR 560/6

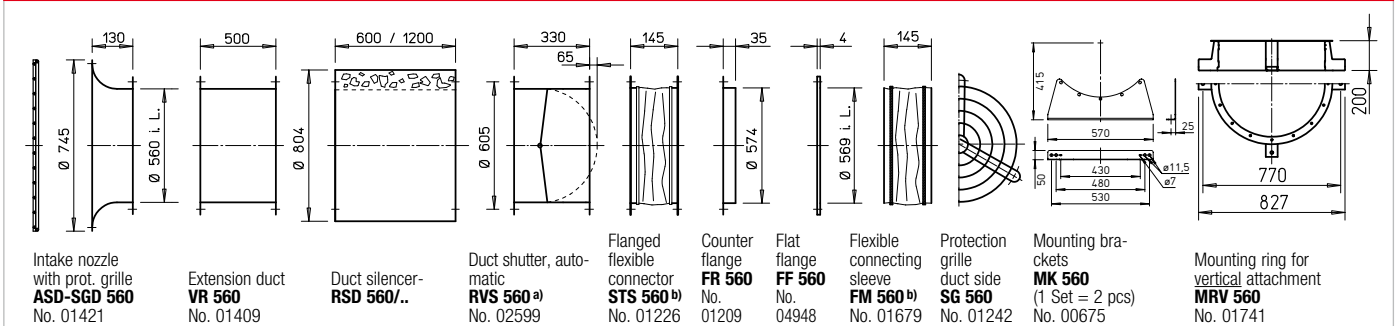


Performance curve VAR 560/8



Other accessories	Page
Access. for expl.-proof fans	
Flanged flexible connector STS 560 Ex	Ref. no. 02508
Flexible connecting sleeve FM 560 Ex	Ref. no. 02508
Filters and silencers	481 ff.
Shutters and ventilation grilles	561 ff.
Speed controllers, controllers and switches	599 ff.

Accessories VAR 560 Description see page 276 ff.



a) Shutter, motorised see Accessories product pages. b) Types for explosion-proof fans see left page.