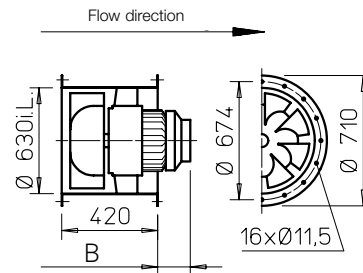


**VAR 630**



Also available in version:

**Dimensions VAR 630**



Dim. B see table  
 Dim. in mm

**■ Casing**

Duct with double-sided flange DIN 24155 p. 3. welded construction, hot-dip galvanised. Welded-in guide wheel with inner hub for mounting the flange motor, hot-dip galvanised.

**■ Impeller**

Optimised for high pressure and volume performance. Special development with spatially curved blades made of hot-dip galvanised steel.

**■ Drive**

Directly through maintenance-free flange motor. Closed design type IP54. Aluminium or grey cast iron casing with cooling fins. Radio interference-free, sealed ball bearings. Tropicalised winding with moisture proof coating. With condensate drain holes upon request (except for explosion-proof types), and the installation method must be indicated when placing the order.

**■ Power control**

Continuously variable (0-100 %) through the use of a frequency inverter (except for pole-changeable models). The planned use of a frequency inverter without a sine filter should be indicated when placing the order. This requires a change of fan version and additional costs, if necessary. Explosion-proof types are not controllable.

**■ Electrical connection**

Standard terminal box (protection category IP55) on outside of duct.

**■ Installation**

Installation possible in any position; but be aware of any condensate drain holes depending on usage.

**■ Motor protection**

Type VARD 630/4 is equipped with PTC thermistors. These should be wired with the motor protection circuit breaker (see type table) for effective motor protection. Motors without thermal contacts must be protected by means of on-site a motor protection circuit breaker.

**■ Noise levels**

See sound power information above performance diagram. The lower sound pressure value can be determined using the diagram on the "Technical information" page. See page 14 f for noise emissions and room acoustics.

| Reference            | Page   |
|----------------------|--------|
| Techn. description   | 254    |
| Selection table      | 255    |
| Planning information | 14 ff. |

**Special design**

Different voltage, frequency, protection category, higher air flow temperature and acid protection upon request.

The technical information on p. 19 ff. must be observed.

| Type  | Ref. no. | Speed             | Flow rate free-blow. | Power consump.* | Voltage | Current consumption* |              | Wiring diagram | Max. air flow temp. |              | Weight net | Dim. B Motor protrusion | Speed controller 5-step Pole chang. switch |                                | Motor protection circuit breaker for connecting built-in thermal contacts |              | Vibration dampers |            |  |
|---|----------|-------------------|----------------------|-----------------|---------|----------------------|--------------|----------------|---------------------|--------------|------------|-------------------------|--|--------------------------------|---|--------------|-------------------|------------|--|
|   |          |                   |                      |                 |         | at rated voltage     | with control |                | at rated voltage    | with control |            |                         | Type                                       | Ref. no.                       | Type  | No.          | Compr. Type       | Tens. Type |  |
|   |          | min <sup>-1</sup> | V m <sup>3</sup> /h  | kW              | V       | A                    | A            | No.            | +°C                 | +°C          | ca. kg     | mm                      |  |                                |   |              |                   |            |  |
| <b>Three-phase current, 50 Hz, protection category IP5</b>  |          |                   |                      |                 |         |                      |              |                |                     |              |            |                         |  |                                |   |              |                   |            |  |
| <b>VARD 630/4</b>   | 06717    | 1400              | 21320                | 6.20            | 400     | 12.0/6.9             | –            | 776            | 60                  | –            | 145.0      | 230                     | <b>FU-BS 16</b> <sup>9)</sup> 05463        | <b>MSA</b> <sup>0)</sup> 01289 | <b>SDD 2</b>  | <b>SDZ 2</b> |                   |            |  |
| <b>Pole-changeable, 2 speeds (Dahlander winding <math>\gamma/\gamma\gamma</math>), Three-phase current, 50 Hz, protection category IP54</b> |          |                   |                      |                 |         |                      |              |                |                     |              |            |                         |  |                                |   |              |                   |            |  |
| <b>VARD 630/8/4</b>   | 06792    | 715/1430          | 10590/21170          | 1.40/5.50       | 400     | 5.0/12.0             | –            | 471            | 60                  | –            | 145.0      | 255                     | <b>PDA 12</b> <sup>9)</sup> 05081          | –                              | –   | <b>SDD 2</b> | <b>SDZ 2</b>      |            |  |
| <b>Ex Explosion-proof, II 2G Ex h IIB T3 Gb, Motor Ex e, three-phase current 400 Volt, 50 Hz, protection category IP55</b>                  |          |                   |                      |                 |         |                      |              |                |                     |              |            |                         |  |                                |   |              |                   |            |  |
| <b>VARD 630/8 Ex</b>  | 06718    | 705               | 10220                | 0.95            | 400     | 2.75                 | –            | 470            | 40                  | –            | 110.0      | 148                     | not permitted                              | not permitted                  | <b>SDD 2</b>  | <b>SDZ 2</b> |                   |            |  |
| <b>VARD 630/6 Ex</b>  | 06719    | 965               | 13990                | 1.90            | 400     | 5.1                  | –            | 470            | 40                  | –            | 130.0      | 210                     | not permitted                              | not permitted                  | <b>SDD 2</b>  | <b>SDZ 2</b> |                   |            |  |
| <b>VARD 630/4 Ex</b> <sup>9)</sup>  | 06720    | 1460              | 21400                | 6.80            | 400     | 13.4                 | –            | 498            | 40                  | –            | 165.0      | 251                     | not permitted                              | not permitted                  | <b>SDD 2</b>  | <b>SDZ 3</b> |                   |            |  |

\* For Ex types: Motor ratings see information on page 20.

<sup>1)</sup> incl. motor protection circuit breaker and sine filter.

<sup>2)</sup> includes operating and speed switch.

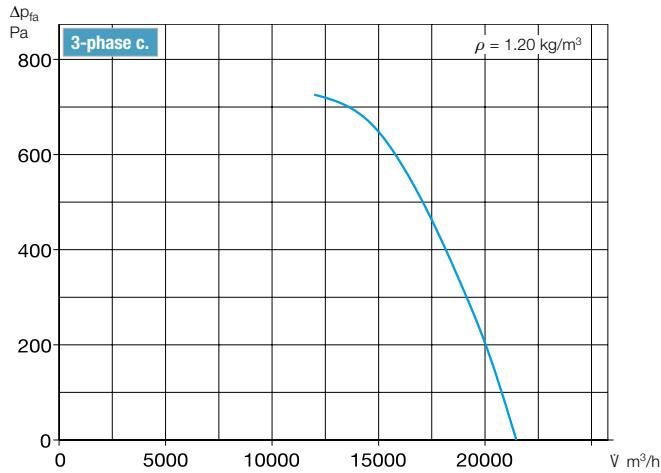
<sup>3)</sup> Flush-m. version see Switch product page. <sup>4)</sup> for PTC thermistor temperature sensor.

<sup>5)</sup> A vibration monitoring system (on-site) must be provided according to DIN EN 14986.

### Performance curve VAR 630/4

n=1450 1/min

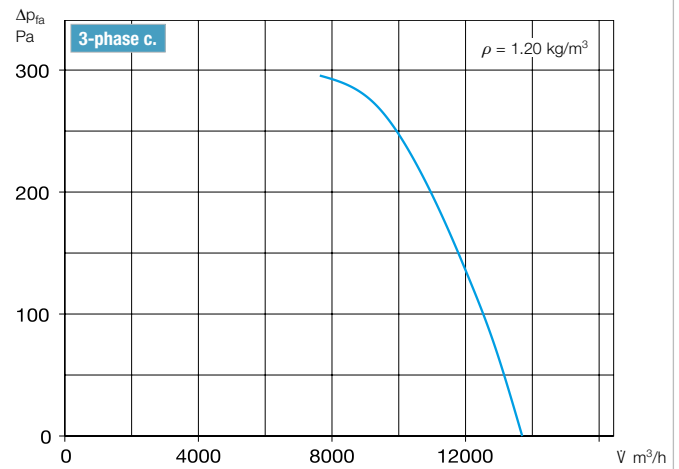
| Frequency                     | Hz | Tot.  | 125 | 250 | 500 | 1k | 2k | 4k | 8k |
|-------------------------------|----|-------|-----|-----|-----|----|----|----|----|
| L <sub>WA</sub> Air noise     |    | dB(A) | 97  | 73  | 89  | 91 | 93 | 84 | 74 |
| L <sub>PA, 4m</sub> Air noise |    | dB(A) | 77  | 53  | 69  | 71 | 71 | 64 | 54 |



### Performance curve VAR 630/6

n=1450 1/min

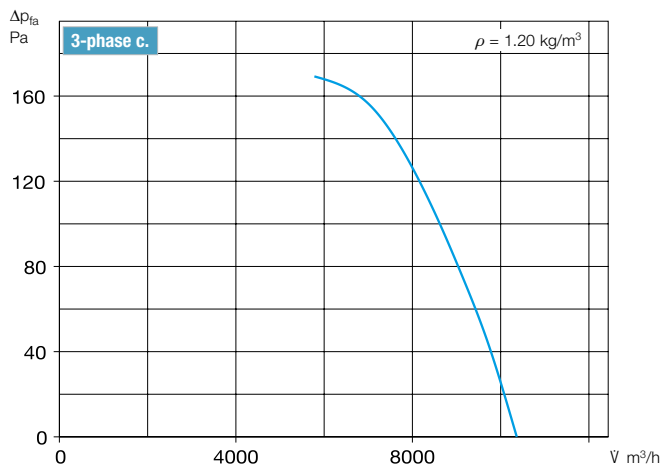
| Frequency                     | Hz | Tot.  | 125 | 250 | 500 | 1k | 2k | 4k | 8k |
|-------------------------------|----|-------|-----|-----|-----|----|----|----|----|
| L <sub>WA</sub> Air noise     |    | dB(A) | 87  | 70  | 76  | 82 | 83 | 78 | 62 |
| L <sub>PA, 4m</sub> Air noise |    | dB(A) | 67  | 50  | 56  | 62 | 63 | 58 | 42 |



### Performance curve VAR 630/8

n=725 1/min

| Frequency                     | Hz | Tot.  | 125 | 250 | 500 | 1k | 2k | 4k | 8k |
|-------------------------------|----|-------|-----|-----|-----|----|----|----|----|
| L <sub>WA</sub> Air noise     |    | dB(A) | 80  | 65  | 71  | 76 | 75 | 62 | 55 |
| L <sub>PA, 4m</sub> Air noise |    | dB(A) | 60  | 45  | 51  | 56 | 55 | 42 | 35 |



#### Other accessories Page

<sup>b)</sup>Access. for expl.-proof fans

**Flanged flexible connector**  
**STS 630 Ex** Ref. no. 02509

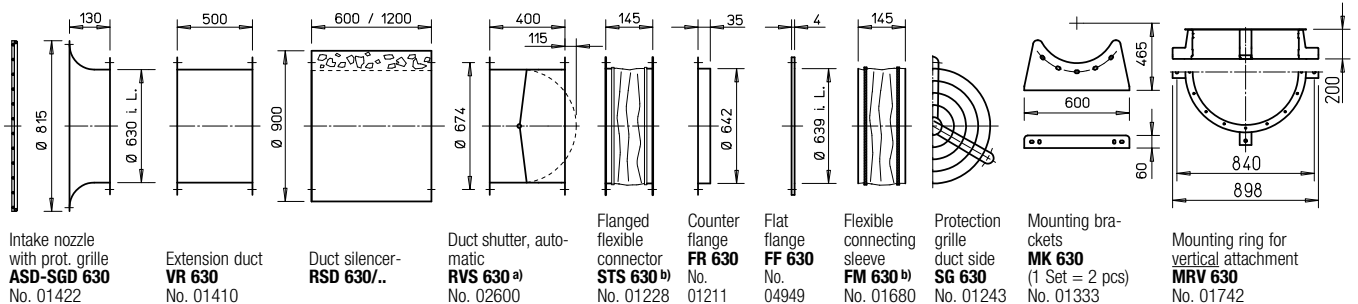
**Flexible connecting sleeve**  
**FM 630 Ex** Ref. no. 01696

Filters and silencers 481 ff.

Shutters and ventilation grilles 561 ff.

Speed controllers, controllers and switches 599 ff.

### Accessories VAR 630 Description see page 276 ff.



<sup>a)</sup> Shutter, motorised see Accessories product pages. <sup>b)</sup> Types for explosion-proof fans see left page.