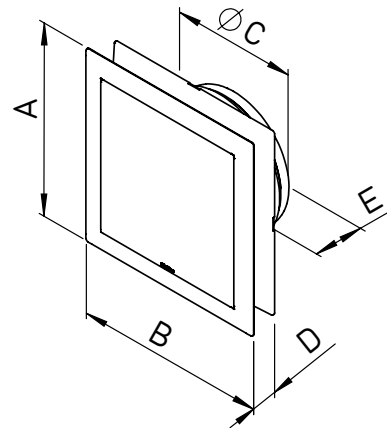


DLV



Dimensions DLV



Dim. in mm see table

Application

For supply air and extract air operation in all rooms without specific fire protection requirements. Ideal for ceiling installation.

Advantages

- Elegant, square casing made of high-quality plastic with concealed air inlet and outlet area.
- Exact air volume adjustment by turning the elegant front panel in 90° steps, with adjustment markers for calibrating the ventilation system.
- Integrated filter can be replaced without tools and without risk of changing the setting.
- Selected air volume setting can be locked.
- Minimum air volume guaranteed, even with a fully closed air volume setting. Complete closure is only possible by irreversibly removing the minimum air volume stop.
- Front panel can be removed without tools, with adjustment mechanism and filter holder for easy cleaning of the air cooled valve parts.
- Sealing ring on duct connector for exact positioning and sealing in the duct.
- Mounting holes in lower part of casing for secure attachment to the ceiling.

Design

Casing design made of white (DLV 125 also in black), break-resistant plastic. Elegant square design with closed front panel.

Delivery

Valve individually packed in polybag, includes ISO Coarse 30% (G2) filter, installation and operating instructions.

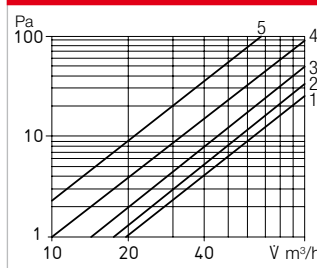
Installation

- Insert ISO Coarse 30% (G2) filter in the filter holder.
- Air volume presets according to diagram.
- Position lower part of casing in ventilation duct and fix to ceiling.
- Adjust air volume setting if necessary when adjusting the entire system.
- Front panel with adjustment mechanism and filter holder can be attached without tools.

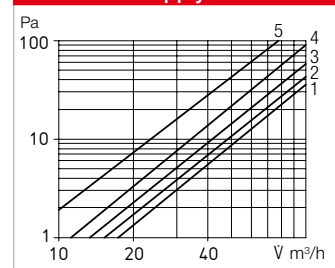
Performance data

The diagrams provide an overview of the air volumes and pressure losses at various front panel settings as well as the flow velocity of the outflowing air at 30 m³/h (DLV 100) or 60 m³/h (DLV 125) depending on the valve distance.

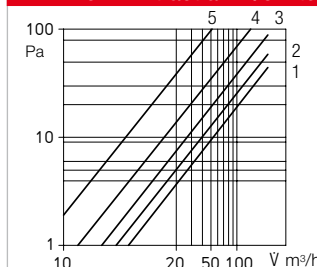
DLV 100 Extract air w/o filter



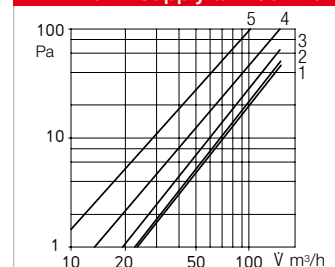
DLV 100 Supply air w/o filter



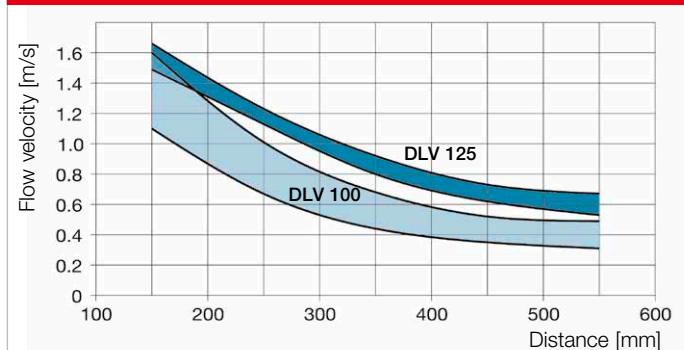
DLV 125 Extract air w/o filter



DLV 125 Supply air w/o filter



Performance curve DLV 100 – DLV 125



Accessories

Replacement air filter class
ISO Coarse 30% (G2)

Unit = 5 pcs.

ELF-DLV 100 Ref. no. 03042

ELF-DLV 125 Ref. no. 03058

Order data

Type	DLV 100	DLV 125	DLV 125 black
Ref. no.	03039	03049	40786
Color	white	white	black
Ø C mm	100	125	125
A mm	135	176,5	176,5
B mm	135	176,5	176,5
D mm	10 – 30	15 – 30	15 – 30
E mm	38	41	41
Weight in g	150	210	210