

**RR EC 315**

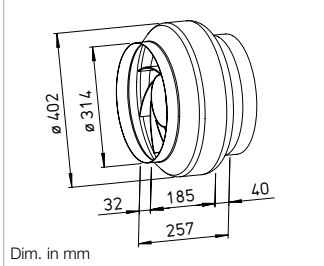


**SVR EC 315**



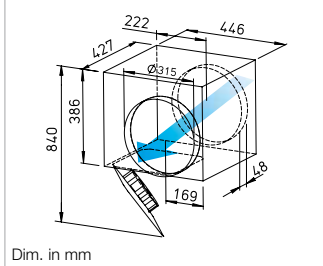
SlimVent – Slimline EC space saver w/ retractable motor-impeller unit.

**Dimensions RR EC 315**



Dim. in mm

**Dimensions SVR EC 315**



Dim. in mm

**Energy-saving EC circular duct fans for the delivery medium and small air volumes against high resistances.**

Specifically designed for direct insertion in duct systems. High pressure performance for overcoming friction losses, deflection losses and aggregate resistances. For various applications in commercial, industrial and residential areas.

**Special features**

- Highly efficient EC motor for the lowest operating costs.
- Low space requirement and minimal installation costs due to lip-near throughflow.
- No need for elaborate deflectors.
- Connectors on inlet and outlet side correspond to standard duct Ø.
- Performance adjustment through 100% speed control.
- Can be used in any position.
- Wide range of accessories.
- Aerodynamically optimised casing design.

**Common features RR EC and SVR EC**

**Drive**

Energy-saving, speed-controllable EC external rotor motor in protection category IP44 with the highest level of efficiency. Maintenance-free and radio interference-free, ball bearing mounted.

**Motor protection**

Integrated electronic temperature monitoring system for EC motor and electronics.

**Installation**

No restrictions in any position (horizontal, vertical, diagonal) through corresponding installation for supply or extract ventilation. Installation in duct system, preferably away from the room to be ventilated for less noise.

**Description RR EC**

**Casing**

Made of galvanised steel sheet, robust for harsh operating conditions. Inlet and outlet side connection dimensions correspond to standard duct Ø.

**Power control**

Continuously variable speed control with internal (delivery) or external potentiometer or continuously variable speed control with universal control system (see table). Performance levels are shown in the performance curve as an example.

**Electrical connection**

Terminal box (IP54) on outside of casing.

**Impeller**

Centrifugal, with backward curved blades made of plastic, made of galvanised steel sheet for RR EC 315 B impeller. Dynamically balanced together with motor for low-noise operation, high level of efficiency.

**Protection category**

Protection category IP54 through inlet and outlet-side installation in a duct system which prevents the ingress of rainwater.

**Description SVR EC**

**Casing**

Flat casing in compact design made of galvanised steel sheet. Connectors and lip seal on inlet and outlet side for standard duct Ø.

The retractable motor-impeller unit allows inspection and cleaning without dismantling components. The swivelling range must be considered for the inspection opening.

**Power control**

Continuously variable speed control with internal (delivery) or external potentiometer or continuously variable speed control with universal control system (see table). Performance levels are shown in the performance curve as an example.

**Electrical connection**

Terminal box (IP54) on external cable.

**Impeller**

Energy-saving centrifugal impeller with backward curved blades made of high-quality plastic. Dynamically balanced together with motor for low-noise operation.

**Protection category**

IP44 with connected duct system.

**Noise**

The total level and range are specified above the performance diagram for:

- Case-radiated sound power
- Inlet side sound power
- Outlet side sound power.

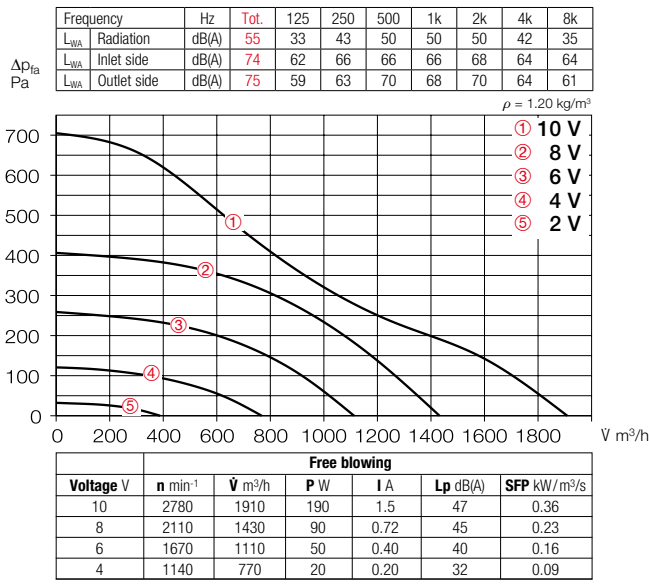
The case-radiated noise as sound pressure at 1 m (free field conditions) is also specified in the type table and the table below the performance curve.

Type	Ref. no.	Connection Ø	Flow rate Free blowing	Rated speed	Sound press. case radiation	Power consum.	Current consum.	Wiring diagram	Max. air flow temp.	Wgt net aprx.	Universal control system		Speed potentiometer					
											Type	Ref. no.	Type	Ref. no.	Type	Ref. no.		
			mm	V m³/h	min⁻¹	dB(A) in 1 m	kW	A	No.	+ °C	kg	Type	Ref. no.	Type	Ref. no.	Type	Ref. no.	
<b>Type RR EC, Single-phase alternating current, 230 V, 50/60 Hz, EC motor, IP44</b>																		
RR EC 315 A	05788	315	1910	2370	47	0.22	1.69	979	60	4.8	EUR EC <sup>1)2)</sup>	01347	PU 10 <sup>1)</sup>	01734	PA 10 <sup>1)</sup>	01735		
RR EC 315 B	06123	315	2140	2880	48	0.32	2.46	979	60	7.6	EUR EC <sup>1)2)</sup>	01347	PU 10 <sup>1)</sup>	01734	PA 10 <sup>1)</sup>	01735		
<b>Type SVR EC, Single-phase alternating current, 230 V, 50/60 Hz, EC motor, IP44</b>																		
SVR EC 315 A	02669	315	1700	2570	52	0.21	1.65	979	60	13.6	EUR EC <sup>1)2)</sup>	01347	PU 10 <sup>1)</sup>	01734	PA 10 <sup>1)</sup>	01735		
SVR EC 315 B <sup>3)</sup>	00668	315	1940	2890	54	0.32	2.45	979	60	14.8	EUR EC <sup>1)2)</sup>	01347	PU 10 <sup>1)</sup>	01734	PA 10 <sup>1)</sup>	01735		

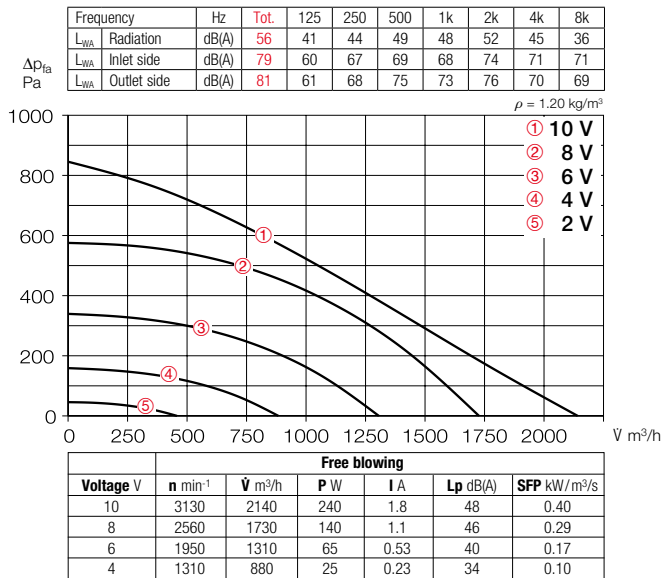
<sup>1)</sup> Multiple EC fans can normally be connected. <sup>2)</sup> alternative electronic diff. pressure/ temperature controller (EDR/ETR, No. 01437/01438) or three level speed switch (SU/SA, No. 04266/04267), see accessories.

<sup>3)</sup> Performance diagram at [www.HeliosSelect.de](http://www.HeliosSelect.de)

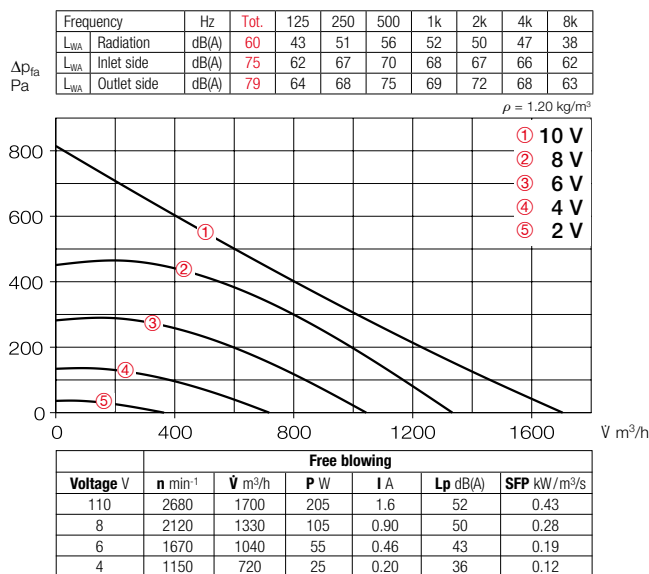
**Performance curves RR EC 315 A**



**Performance curves RR EC 315 B**



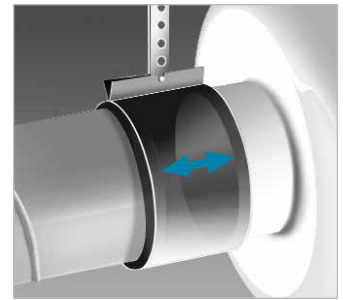
**Performance curves SVR EC 315 A**



**Accessories**

**Pipe clamp connectors**

**BM 315** Ref. no. 05080  
For structure-borne noise-free connection of fan and piping and for suspension (1 set = 2 pcs). Mount ventilation duct and fan connector at a distance and fold sleeve over during installation.



**Mounting bracket**

**MK 4** Ref. no. 05824  
Made of galvanised steel sheet.



**External wall shutter**

**VK 315** Ref. no. 00760  
Automatic made of plastic, light grey.



**External wall cover grille**

**RAG 315** Ref. no. 00752  
Made of plastic, light grey.

**Protection grille**

**SGR 315** Ref. no. 05068  
For inlet and outlet side installation. Made of galvanised steel.



**Duct shutter**

**RSK 315** Ref. no. 05674  
Automatic, made of metal.



**Flexible cross talk silencer**

**FSD 315** Ref. no. 00681  
Made of aluminium pipe with double-sided plug-in connectors. Sound insulation lining 50 mm thick, installation length 1 m.



**Air filter box**

**LFBR 315 Coarse 70%\*** 08581  
**LFBR 315 ePM1 50%\*** 08535  
Air filter with large surface area, for installation in pipeline.



**Electric heating element**

**EHR-R 6/315** 6.0 kW No.08713  
- with integrated temp. control  
**EHR-R 6/315 TR** 6.0 kW No.05301  
Room or duct sensor (TFK/TFR, Accessories) required.



**Temperature control system for electric heating element**

**EHR-R**  
**EHS** Ref. no. 05002



**Warm water heating element**

**WHR 315** Ref. no. 09484  
Compact heat exchanger for installation in duct system.



**Temperature control system for warm water heating element**

**WHS HE** Ref. no. 08319



\* See product page 484 for detailed description.