

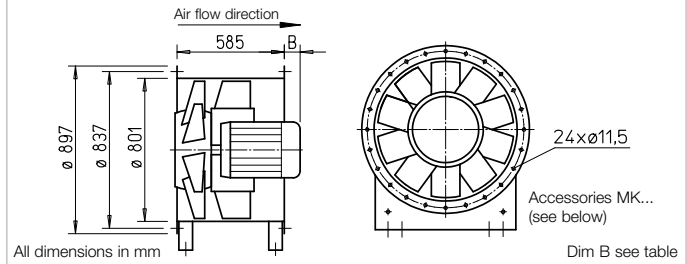
AMD / B AMD 800



Certification

The smoke ventilation fans B AMD have been tested according to DIN EN 12101-3. Certificate of performance reliability: F300: 0036-CPR-RG05-18 F400: 0036-CPR-RG05-19

Dimensions AMD / B AMD 800



Description, Installation, Casing, Air flow direction, etc. see page 46.

Impeller

- Hub and blades made from corrosion-resistant aluminium alloy. Ten aerodynamically profiled blades achieve the highest level of efficiency and pressure ratings together with the guide vane.
- Dynamically balanced, quality class 6.3 for low-vibration operation.
- Blades can be steplessly adjusted in the factory.

Motor

- Series AMD: Direct through efficient IE3 standard three phase motor. Pole-switching fans with IEC standard motor. Protection class IP55, insulation class F.

- Series B AMD: Direct through efficient IE3 three phase motor (smoke extraction motors F300 or F400). Pole-switching fans with IEC standard motor. Protection class IP55. Insulation class H. Fire-resistant external cable with sheathing.

Motor protrusion

For some types, the motor protrudes over the casing. Protrusion dimension B in mm must be observed according to the type table.

Motor protection

All types have PTC resistors from the terminal box. This must be bridged in smoke extraction mode for B AMD models.

Electrical connection

- Series AMD: Standard plastic terminal box (protection class IP55), mounted to outside of duct.
- Series B AMD: Standard aluminium die-cast terminal box (protection class IP55), mounted to outside of duct.

Air flow temperatures

- Series AMD: Suitable for supply and extract ventilation from -20 °C to +60 °C continuous temperature. Types for higher air flow temperatures upon request.
- Series B AMD: Like series AMD, but also for smoke extraction according to the temperature classification up to 300 °C/120 min. and 400 °C/120 min.

Double pressure

Mounting package MP-Z for two-stage Z unit

For arrangement of two identical fans in a row, for highest pressure ratings. Scope of delivery: Extension ducts (2 pcs.) and assembly kit. Weight: 60 kg

MP-Z 800

Ref. no. 04911

Double volume

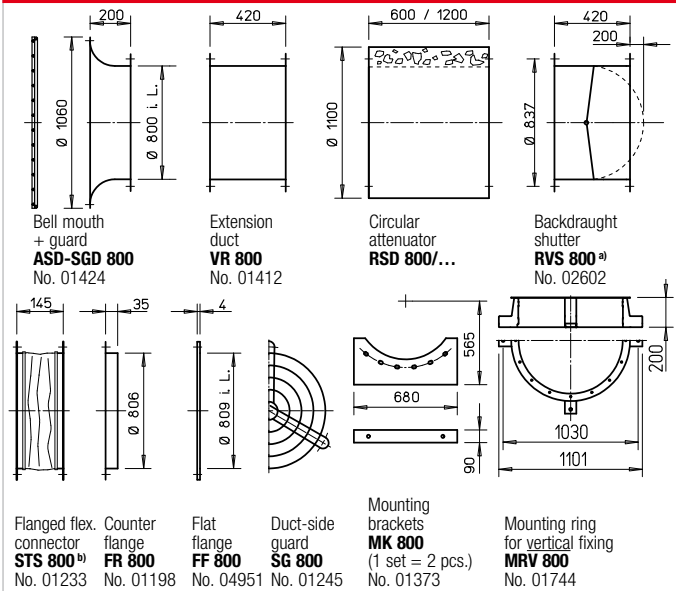
Mounting package MP-P for parallel P unit

For arrangement of two identical fans side by side, for highest flow rates. Scope of delivery: Extension ducts, backdraught shutter, mounting rails (2 pcs. each), mounting brackets (4 pcs.) and assembly kits. Weight: 205 kg

MP-P 800

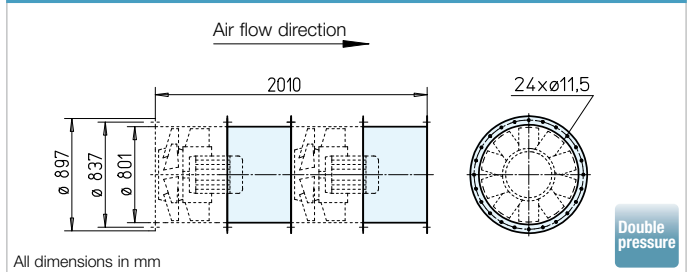
Ref. no. 04895

Accessories for AMD / B AMD 800

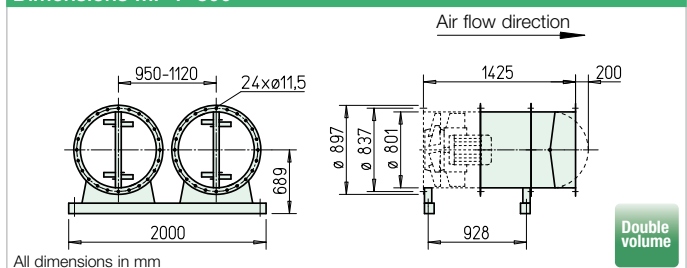


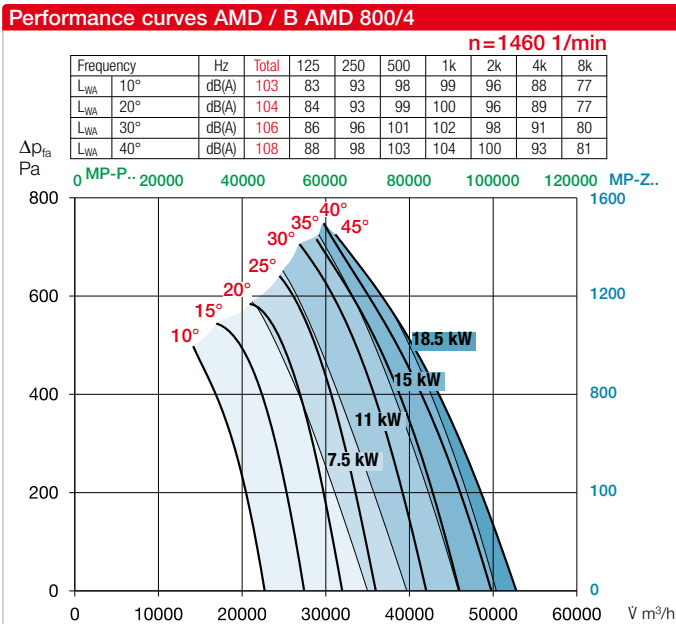
^{a)} Backdraught shutter, motorised, for ventilation, see main Helios catalogue. ^{b)} Type for B AMD: STSB 800 F400, No. 01919

Dimensions MP-Z 800



Dimensions MP-P 800





| Information | Page |
|--|--------|
| Techn. description | 56 |
| Project planning information | 13 ff. |
| Special designs | |
| Special design with inspection open. (add. cost) upon request. | |

| Accessory details | Page |
|--|---------|
| Mounting accessories | 161 ff. |
| Attenuators | 166 ff. |
| Gas warning systems, switch and control technology | 168 ff. |
| Frequency inverters | 178 ff. |

| Type | Ref. no. | Speed | Nominal motor power (output) | Nominal voltage | Nominal current | Dim. B motor protrusion | Wiring diagram | max. air flow temp. ¹⁾ | Net weight approx. | Full motor protection or Smoke exhaust fan control system | | Anti-vibration mounts ²⁾ | | | |
|---|----------|----------|------------------------------|-------------------|-----------------|-------------------------|----------------|-----------------------------------|--------------------|---|----------------------------------|-------------------------------------|----------|---------------------|----------|
| | | | | | | | | | | Type | Ref. no. | Type | Ref. no. | Type | Ref. no. |
| 60° Three phase motor, 400 V, 50 Hz, protection class IP55 | | | | | | | | | | | Full motor protection | | | | |
| AMD 800/4 5.5 kW | 03311 | 1470 | 5.5 | 400 ³⁾ | 10.7 | 65 | 776 | 60 | 174 | MSA | 01289 | SDD 3 | 01367 | SDZ 3 | 01366 |
| AMD 800/4 7.5 kW | 03312 | 1460 | 7.5 | 400 ³⁾ | 14.2 | 100 | 776 | 60 | 185 | MSA | 01289 | SDD 3 | 01367 | SDZ 3 | 01366 |
| AMD 800/4 11 kW | 03313 | 1470 | 11 | 400 ³⁾ | 20.9 | 165 | 776 | 60 | 260 | MSA | 01289 | SDD 3 | 01367 | SDZ 3 | 01366 |
| AMD 800/4 15 kW | 03314 | 1465 | 15 | 400 ³⁾ | 27.9 | 210 | 776 | 60 | 270 | MSA | 01289 | SDD 3 ⁴⁾ | 01367 | SDZ 6 ⁴⁾ | 01927 |
| AMD 800/4 18.5 kW | 03315 | 1470 | 18.5 | 400 ³⁾ | 35.1 | 250 | 776 | 60 | 290 | MSA | 01289 | SDD 3 ⁴⁾ | 01367 | SDZ 6 ⁴⁾ | 01927 |
| 60° Pole-switching, 2 speed, three phase motor, Dahlander winding Y/YY, 400 V, 50 Hz, protection class IP55 | | | | | | | | | | | | | | | |
| AMD 800/8/4 1.5/6.3 kW | 03316 | 680/1440 | 1.5/6.3 | 400 | 4.5/12.3 | 100 | 777 | 60 | 200 | — | — | SDD 3 | 01367 | SDZ 3 | 01366 |
| AMD 800/8/4 2.0/8.9 kW | 03317 | 690/1450 | 2.0/8.9 | 400 | 5.3/17.8 | 165 | 777 | 60 | 270 | — | — | SDD 3 | 01367 | SDZ 3 | 01366 |
| AMD 800/8/4 2.7/12 kW | 03318 | 700/1460 | 2.7/12 | 400 | 7.1/24.0 | 210 | 777 | 60 | 280 | — | — | SDD 3 ⁴⁾ | 01367 | SDZ 6 ⁴⁾ | 01927 |
| AMD 800/8/4 4.0/16 kW | 03319 | 720/1460 | 4.0/16.0 | 400 | 10.6/30.9 | 250 | 777 | 60 | 310 | — | — | SDD 3 ⁴⁾ | 01367 | SDZ 7 ⁴⁾ | 01929 |
| F300 Three phase motor, 400 V, 50 Hz, protection class IP55 | | | | | | | | | | | Smoke exhaust fan control system | | | | |
| B AMD 800/4 5.5 kW F300 | 03514 | 1470 | 5.5 | 400 ³⁾ | 10.7 | 34 | 776 | 60/300 | 183 | EVS-SD 002 | 04585 | SDD 5 | 01924 | SDZ 5 | 01925 |
| B AMD 800/4 7.5 kW F300 | 03515 | 1460 | 7.5 | 400 ³⁾ | 14.2 | 73 | 776 | 60/300 | 191 | EVS-SD 003 | 04584 | SDD 5 | 01924 | SDZ 5 | 01925 |
| B AMD 800/4 11 kW F300 | 03516 | 1470 | 11 | 400 ³⁾ | 20.9 | 151 | 776 | 60/300 | 230 | EVS-SD 004 | 04583 | SDD 6 | 01926 | SDZ 6 | 01927 |
| B AMD 800/4 15 kW F300 | 03517 | 1465 | 15 | 400 ³⁾ | 27.9 | 195 | 776 | 60/300 | 240 | EVS-SD 005 | 04582 | SDD 6 ⁴⁾ | 01926 | SDZ 6 ⁴⁾ | 01927 |
| B AMD 800/4 18.5 kW F300 | 03518 | 1470 | 18.5 | 400 ³⁾ | 35.1 | 217 | 776 | 60/300 | 300 | EVS-SD 006 | 04581 | SDD 6 ⁴⁾ | 01926 | SDZ 6 ⁴⁾ | 01927 |
| F300 Pole-switching, 2 speed, three phase motor, Dahlander winding Y/YY, 400 V, 50 Hz, protection class IP55 | | | | | | | | | | | | | | | |
| B AMD 800/8/4 1.3/5.0 kW F300 | 03519 | 735/1475 | 1.3/5.0 | 400 | 3.8/10.4 | 34 | 777 | 60/300 | 190 | EVS-DA 053 | 04192 | SDD 5 | 01924 | SDZ 5 | 01925 |
| B AMD 800/8/4 1.8/7.2 kW F300 | 03520 | 735/1475 | 1.8/7.2 | 400 | 5.3/15.0 | 73 | 777 | 60/300 | 210 | EVS-DA 002 | 04547 | SDD 6 | 01926 | SDZ 6 | 01927 |
| B AMD 800/8/4 3.0/11 kW F300 | 03521 | 730/1470 | 3.0/11.0 | 400 | 7.0/21.7 | 195 | 777 | 60/300 | 240 | EVS-DA 054 | 04194 | SDD 6 ⁴⁾ | 01926 | SDZ 6 ⁴⁾ | 01927 |
| B AMD 800/8/4 4.3/17 kW F300 | 03522 | 730/1475 | 4.3/17.0 | 400 | 12.7/33.4 | 217 | 777 | 60/300 | 290 | EVS-DA 055 | 04196 | SDD 6 ⁴⁾ | 01926 | SDZ 6 ⁴⁾ | 01927 |
| F400 Three phase motor, 400 V, 50 Hz, protection class IP55 | | | | | | | | | | | | | | | |
| B AMD 800/4 5.5 kW F400 | 03255 | 1470 | 5.5 | 400 ³⁾ | 10.7 | 34 | 776 | 60/400 | 185 | EVS-SD 002 | 04585 | SDD 5 | 01924 | SDZ 5 | 01925 |
| B AMD 800/4 7.5 kW F400 | 03256 | 1460 | 7.5 | 400 ³⁾ | 14.2 | 73 | 776 | 60/400 | 192 | EVS-SD 003 | 04584 | SDD 5 | 01924 | SDZ 5 | 01925 |
| B AMD 800/4 11 kW F400 | 03257 | 1470 | 11 | 400 ³⁾ | 20.9 | 151 | 776 | 60/400 | 240 | EVS-SD 004 | 04583 | SDD 6 | 01926 | SDZ 6 | 01927 |
| B AMD 800/4 15 kW F400 | 03258 | 1465 | 15 | 400 ³⁾ | 27.9 | 195 | 776 | 60/400 | 250 | EVS-SD 005 | 04582 | SDD 6 ⁴⁾ | 01926 | SDZ 6 ⁴⁾ | 01927 |
| B AMD 800/4 18.5 kW F400 | 03259 | 1470 | 18.5 | 400 ³⁾ | 35.1 | 217 | 776 | 60/400 | 300 | EVS-SD 006 | 04581 | SDD 6 ⁴⁾ | 01926 | SDZ 6 ⁴⁾ | 01927 |
| F400 Pole-switching, 2 speed, three phase motor, Dahlander winding Y/YY, 400 V, 50 Hz, protection class IP55 | | | | | | | | | | | | | | | |
| B AMD 800/8/4 1.3/5.0 kW F400 | 03260 | 735/1475 | 1.3/5.0 | 400 | 3.8/10.4 | 34 | 777 | 60/400 | 190 | EVS-DA 053 | 04192 | SDD 5 | 01924 | SDZ 5 | 01925 |
| B AMD 800/8/4 1.8/7.2 kW F400 | 03261 | 735/1475 | 1.8/7.2 | 400 | 5.3/15.0 | 73 | 777 | 60/400 | 210 | EVS-DA 002 | 04547 | SDD 6 | 01926 | SDZ 6 | 01927 |
| B AMD 800/8/4 3.0/11 kW F400 | 03262 | 730/1470 | 3.0/11.0 | 400 | 7.0/21.7 | 195 | 777 | 60/400 | 240 | EVS-DA 054 | 04194 | SDD 6 ⁴⁾ | 01926 | SDZ 6 ⁴⁾ | 01927 |
| B AMD 800/8/4 4.3/17 kW F400 | 03263 | 730/1475 | 4.3/17.0 | 400 | 12.7/33.4 | 217 | 777 | 60/400 | 290 | EVS-DA 055 | 04196 | SDD 6 ⁴⁾ | 01926 | SDZ 6 ⁴⁾ | 01927 |

The flow volume and pressure increase information is required to determine the pitch angle.
²⁾ For Z/P version due to higher total weight Type allocation according to tables on page 157.
⁴⁾ Extension duct VR.. required over the motor protrusion.

¹⁾ For ventilation / smoke extraction (once 120 min.).
³⁾ Y/Δ start-up.