

AMD / B AMD 900



Description, Installation, Casing, Air flow direction, etc. see page 46.

Impeller

- Hub and blades made from corrosion-resistant aluminium alloy. Ten aerodynamically profiled blades achieve the highest level of efficiency and pressure ratings together with the guide vane.
- Dynamically balanced, quality class 6.3 for low-vibration operation.
- Blades can be steplessly adjusted in the factory.

Motor

- Series AMD: Direct through efficient IE3 standard three phase motor. Pole-switching fans with IEC standard motor. Protection class IP55, insulation class F.

- Series B AMD: Direct through efficient IE3 three phase motor (smoke extraction motors F300 or F400). Pole-switching fans with IEC standard motor. Protection class IP55. Insulation class H. Fire-resistant external cable with sheathing.

Motor protrusion

For some types, the motor protrudes over the casing. Protrusion dimension B in mm must be observed according to the type table.

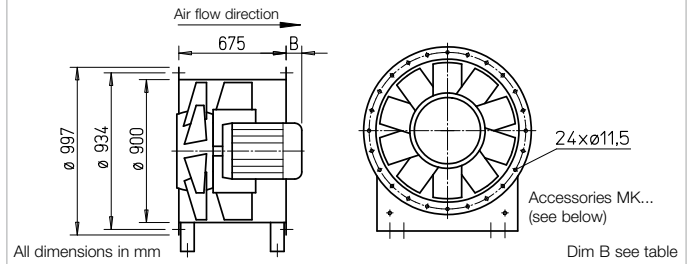
Motor protection

All types have PTC resistors from the terminal box. This must be bridged in smoke extraction mode for B AMD models.

Certification

The smoke ventilation fans B AMD have been tested according to DIN EN 12101-3. Certificate of performance reliability: F300: 0036-CPR-RG05-18 F400: 0036-CPR-RG05-19

Dimensions AMD / B AMD 900



Electrical connection

- Series AMD: Standard plastic terminal box (protection class IP55), mounted to outside of duct.
- Series B AMD: Standard aluminium die-cast terminal box (protection class IP55), mounted to outside of duct.

Air flow temperatures

- Series AMD: Suitable for supply and extract ventilation from -20 °C to +60 °C continuous temperature. Types for higher air flow temperatures upon request.
- Series B AMD: Like series AMD, but also for smoke extraction according to the temperature classification up to 300 °C/120 min. and 400 °C/120 min.

Mounting package MP-Z for two-stage Z unit

- For arrangement of two identical fans in a row, for highest pressure ratings. Scope of delivery: Extension ducts (2 pcs.) and assembly kit. Weight: 68 kg

Mounting package MP-P for parallel P unit

- For arrangement of two identical fans side by side, for highest flow rates. Scope of delivery: Extension ducts, backdraught shutter, mounting rails (2 pcs. each), mounting brackets (4 pcs.) and assembly kits. Weight: 235 kg

Double pressure

Mounting package MP-Z for two-stage Z unit

For arrangement of two identical fans in a row, for highest pressure ratings. Scope of delivery: Extension ducts (2 pcs.) and assembly kit. Weight: 68 kg

MP-Z 900

Ref. no. 04912

Double volume

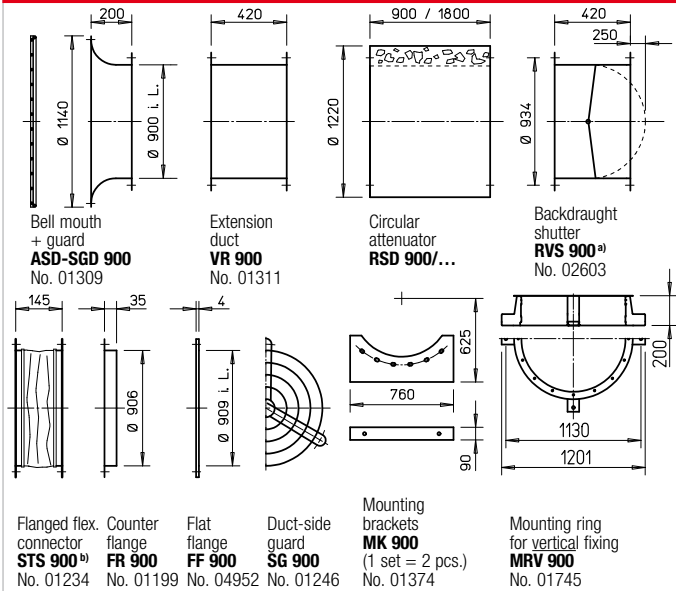
Mounting package MP-P for parallel P unit

For arrangement of two identical fans side by side, for highest flow rates. Scope of delivery: Extension ducts, backdraught shutter, mounting rails (2 pcs. each), mounting brackets (4 pcs.) and assembly kits. Weight: 235 kg

MP-P 900

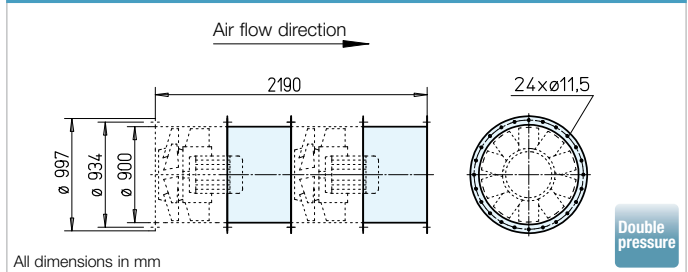
Ref. no. 04896

Accessories for AMD / B AMD 900

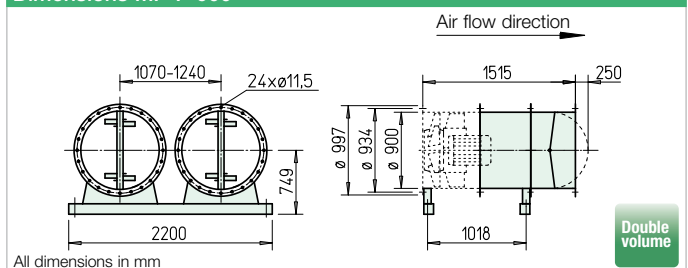


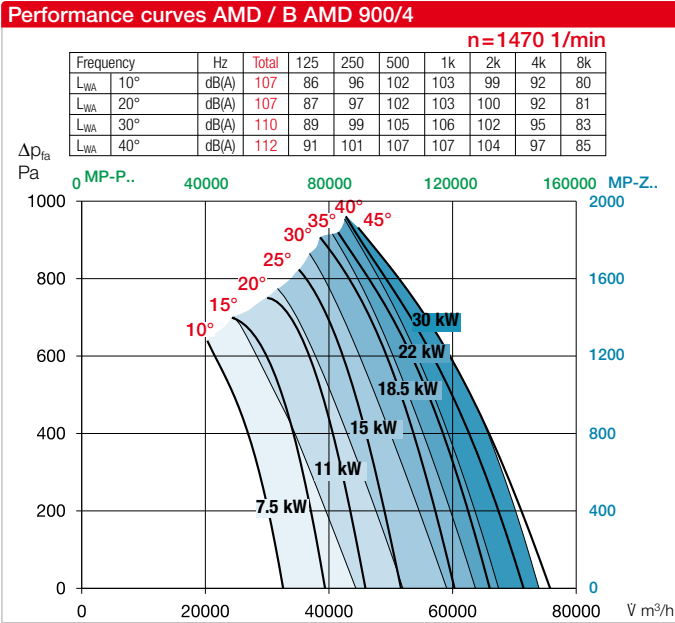
^{a)} Backdraught shutter, motorised, for ventilation, see main Helios catalogue. ^{b)} Type for B AMD: STSB 900 F400, No. 01920

Dimensions MP-Z 900



Dimensions MP-P 900





Information	Page
Techn. description	56
Project planning information	13 ff.
Special designs	
Special design with inspection open. (add. cost) upon request.	

Accessory details	Page
Mounting accessories	161 ff.
Attenuators	166 ff.
Gas warning systems, switch and control technology	168 ff.
Frequency inverters	178 ff.

Type	Ref. no.	Speed	Nominal motor power (output)	Nominal voltage	Nominal current	Dim. B motor protrusion	Wiring diagram	max. air flow temp. ¹⁾	Net weight approx.	Full motor protection or Smoke exhaust fan control system	Anti-vibration mounts ²⁾				
											Pressure		Tensile		
		min ⁻¹	kW	V	A	mm	No.	+°C	kg	Type	Ref. no.	Type	Ref. no.	Type	Ref. no.
60° Three phase motor, 400 V, 50 Hz, protection class IP55											Full motor protection				
AMD 900/4 7.5 kW	03322	1460	7.5	400 ³⁾	14.2	50	776	60	240	MSA	01289	SDD 3	01367	SDZ 3	01366
AMD 900/4 11 kW	03323	1470	11	400 ³⁾	20.9	50	776	60	310	MSA	01289	SDD 3	01367	SDZ 6	01927
AMD 900/4 15 kW	03324	1465	15	400 ³⁾	27.9	110	776	60	320	MSA	01289	SDD 3	01367	SDZ 6	01927
AMD 900/4 18.5 kW	03325	1470	18.5	400 ³⁾	35.1	190	776	60	340	MSA	01289	SDD 3	01367	SDZ 7	01929
AMD 900/4 22 kW	03326	1470	22	400 ³⁾	41.0	230	776	60	350	MSA	01289	SDD 3 ⁴⁾	01367	SDZ 7 ⁴⁾	01929
AMD 900/4 30 kW	03327	1480	30	400 ³⁾	57.1	290	776	60	410	MSA	01289	SDD 3 ⁴⁾	01367	SDZ 7 ⁴⁾	01929
60° Pole-switching, 2 speed, three phase motor, Dahlander winding $\gamma/\gamma\gamma$, 400 V, 50 Hz, protection class IP55															
AMD 900/8/4 2.7/12 kW	03328	700/1460	2.7/12	400	7.1/24.0	110	777	60	330	—	—	SDD 3	01367	SDZ 6	01927
AMD 900/8/4 4.0/16 kW	03329	720/1460	4.0/16.0	400	10.6/30.9	190	777	60	360	—	—	SDD 3	01367	SDZ 7	01929
AMD 900/8/4 5.0/19.5 kW	03330	720/1470	5.0/19.5	400	12.9/37.2	230	777	60	370	—	—	SDD 3 ⁴⁾	01367	SDZ 7 ⁴⁾	01929
AMD 900/8/4 7.5/29 kW	03331	720/1470	7.5/29.0	400	18.9/54.7	290	777	60	440	—	—	SDD 3 ⁴⁾	01367	SDZ 7 ⁴⁾	01929
F300 Three phase motor, 400 V, 50 Hz, protection class IP55											Smoke exhaust fan control system				
B AMD 900/4 7.5 kW F300	03525	1460	7.5	400 ³⁾	14.2	22	776	60/300	250	EVS-SD 003	04584	SDD 6	01926	SDZ 6	01927
B AMD 900/4 11 kW F300	03526	1470	11	400 ³⁾	20.9	100	776	60/300	280	EVS-SD 004	04583	SDD 6	01926	SDZ 6	01927
B AMD 900/4 15 kW F300	03527	1465	15	400 ³⁾	27.9	144	776	60/300	290	EVS-SD 005	04582	SDD 6	01926	SDZ 6	01927
B AMD 900/4 18.5 kW F300	03528	1470	18.5	400 ³⁾	35.1	166	776	60/300	350	EVS-SD 006	04581	SDD 7	01928	SDZ 7	01929
B AMD 900/4 22 kW F300	03529	1470	22	400 ³⁾	41.0	204	776	60/300	360	EVS-SD 007	04580	SDD 7 ⁴⁾	01928	SDZ 7 ⁴⁾	01929
B AMD 900/4 30 kW F300	03530	1480	30	400 ³⁾	57.1	230	776	60/300	420	EVS-SD 008	04579	SDD 7 ⁴⁾	01928	SDZ 7 ⁴⁾	01929
F300 Pole-switching, 2 speed, three phase motor, Dahlander winding $\gamma/\gamma\gamma$, 400 V, 50 Hz, protection class IP55															
B AMD 900/8/4 3.0/11 kW F300	03535	730/1470	3.0/11.0	400	7.0/21.7	144	777	60/300	290	EVS-DA 054	04194	SDD 6	01926	SDZ 6	01927
B AMD 900/8/4 4.3/17 kW F300	03536	730/1475	4.3/17.0	400	12.7/33.4	166	777	60/300	340	EVS-DA 055	04196	SDD 7	01928	SDZ 7	01929
B AMD 900/8/4 5.0/20 kW F300	03537	730/1470	5.0/20.0	400	14.1/38.6	204	777	60/300	350	EVS-DA 004	04545	SDD 7 ⁴⁾	01928	SDZ 7 ⁴⁾	01929
B AMD 900/8/4 6.5/28 kW F300	03538	735/1480	6.5/28.0	400	18.0/52.0	230	777	60/300	410	EVS-DA 056	04202	SDD 7 ⁴⁾	01928	SDZ 7 ⁴⁾	01929
F400 Three phase motor, 400 V, 50 Hz, protection class IP55															
B AMD 900/4 7.5 kW F400	03264	1460	7.5	400 ³⁾	14.2	22	776	60/400	250	EVS-SD 003	04584	SDD 6	01926	SDZ 6	01927
B AMD 900/4 11 kW F400	03265	1470	11	400 ³⁾	20.9	100	776	60/400	290	EVS-SD 004	04583	SDD 6	01926	SDZ 6	01927
B AMD 900/4 15 kW F400	03266	1465	15	400 ³⁾	27.9	144	776	60/400	300	EVS-SD 005	04582	SDD 6	01926	SDZ 6	01927
B AMD 900/4 18.5 kW F400	03267	1470	18.5	400 ³⁾	35.1	166	776	60/400	350	EVS-SD 006	04581	SDD 7	01928	SDZ 7	01929
B AMD 900/4 22 kW F400	03268	1470	22	400 ³⁾	41.0	204	776	60/400	360	EVS-SD 007	04580	SDD 7 ⁴⁾	01928	SDZ 7 ⁴⁾	01929
F400 Pole-switching, 2 speed, three phase motor, Dahlander winding $\gamma/\gamma\gamma$, 400 V, 50 Hz, protection class IP55															
B AMD 900/8/4 3.0/11 kW F400	03269	730/1470	3.0/11.0	400	7.0/21.7	144	777	60/400	290	EVS-DA 054	04194	SDD 6	01926	SDZ 6	01927
B AMD 900/8/4 4.3/17 kW F400	03270	730/1475	4.3/17.0	400	12.7/33.4	166	777	60/400	340	EVS-DA 055	04196	SDD 7	01928	SDZ 7	01929
B AMD 900/8/4 5.0/20 kW F400	03271	730/1470	5.0/20.0	400	14.1/38.6	204	777	60/400	350	EVS-DA 004	04545	SDD 7 ⁴⁾	01928	SDZ 7 ⁴⁾	01929

The flow volume and pressure increase information is required to determine the pitch angle.
²⁾ For Z/P version due to higher total weight Type allocation according to tables on page 157.
⁴⁾ Extension duct VR.. required over the motor protrusion.

¹⁾ For ventilation / smoke extraction (once 120 min.).
³⁾ γ/Δ start-up.