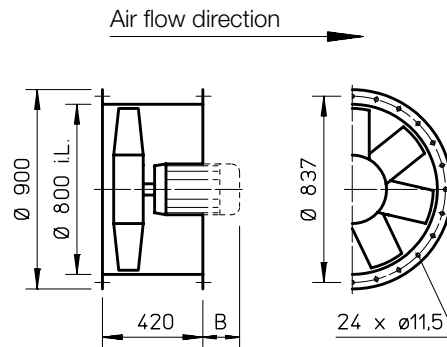


AVD DK 800



Dimensions AVD DK 800



All dimensions in mm

Dim. B see table

- Casing**  
 With motor bracket made from galvanised sheet steel.
- Impeller**  
 Hub and blades made of corrosion-resistant aluminium alloy. 10 aerodynamically profiled blades in combination with the guide vane achieve maximum efficiency and pressure ratings. Dynamically balanced, quality level 6.3 for low-vibration operation. Blades factory adjustable, see type overview for maximum pitch angle.  
  
 Explosion-proof types: 5 or 7 blades made of plastic, dynamically balanced.
- Motor**  
 Directly driven by efficient IE3 three-phase standard motor. Pole-switching fans with IEC standard motor. Protection class IP55, insulation class F. (Explosion-proof types differ)
- Motor protrusion**  
 The protrudes dimension B in mm of the motor to the casing must be observed according to the type table.
- Motor protection**  
 All types (except pole switching and explosion proof) have PTC resistors and must be protected by the following full motor protection devices:  
 MSA, Ref. no. 01289  
 All other types must be protected by a conventional circuit

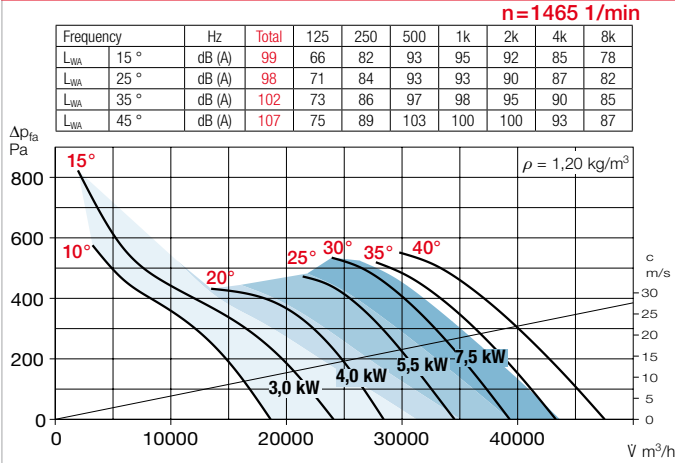
- Dimensions**  
 Pole-switching and explosion-proof types may vary from adjacent information. Motor length may vary. Note protrusion dimension B.
- Noise levels**  
 The sound power levels are indicated by means of frequency and as sum levels above the performance curves.
- Electrical connection**  
 Terminal box protection class IP55 mounted to casing
- Speed control**  
 Controlled performance curves upon request. All types are speed controllable by frequency inverter (except pole-switching and explosion-proof). The planned use of a frequency inverter without sine filter must be stated when ordering. This requires a change of fan design and possible additional costs.
- Installation**  
 Installation in any position. Ensure that the motor drainage holes face downwards.
- breaker on site.

Type	Ref. no.	Speed	Motor power (nom.) (output)	Nominal voltage	Power consumption	Max. pitch angle <sup>2)</sup>	Dim. B Motor protrusion	Wiring diagram	Max. air flow temp.	Net weight approx.	Frequency inverter <sup>3)</sup>		
		min <sup>-1</sup>	kW	V	A	°	mm	No.	+°C	kg	Type	Ref. no.	
<b>60° 3 phase motor, 400 V, 50 Hz, squirrel-cage rotor, protection class IP55</b>													
AVD RK 800/6	1.5	40272	955	1.5	400	3.6	24	280	796	60	98	FU-BS 5.0	05460
AVD RK 800/6	2.2	40273	970	2.2	400	5.1	31	300	796	60	104	FU-BS 8.0	05461
AVD RK 800/6	3.0	40274	970	3.0	400	6.9	38	320	776	60	126	FU-BS 8.0	05461
AVD RK 800/4	3.0	40275	1440	3.0	400	6.0	17	280	776	60	104	FU-BS 8.0	05461
AVD RK 800/4	4.0	06960	1460	4.0	400	8.0	20	300	776	60	105	FU-BS 8.0	05461
AVD RK 800/4	5.5	06961	1470	5.5	400	10.7	24	320	776	60	129	FU-CS 14	05875
AVD RK 800/4	7.5	40276	1470	7.5	400	14.3	32	350	776	60	138	FU-BS 16	05463
<b>60° Pole-switching, 2 speed, 3 phase motor, Dahlander winding <math>\Delta/\Delta</math>, 400 V, 50 Hz, protection class IP55</b>													
AVD RK 800/8/4 <sup>1)</sup>	1.1/4.5	40277	680/1435	1.1/4.5	400/400	3.6/9.4	23	280	777	60	115	—	—
AVD RK 800/8/4 <sup>1)</sup>	1.5/6.3	40278	680/1440	1.5/6.3	400/400	4.6/12.3	29	320	777	60	120	—	—
<b>Ex Ex Explosion-proof Ex e II, 3 phase motor, 50 Hz, protection class IP54, temperature class 3</b>													
AVD RK 800/8 Ex	0.55	06974	695	0.55	400	2.2	32	140	470	40	81	not permitted	—
AVD RK 800/6 Ex	0.95	06976	960	0.95	400	2.7	23	105	470(020)	40	90	not permitted	—
AVD RK 800/6 Ex	1.9	06977	965	1.9	400	5.1	35	255	470(020)	40	132	not permitted	—
AVD RK 800/4 Ex	3.6	06978	1455	4.0	400/690	8.3	24	210	498	40	115	not permitted	—
AVD RK 800/4 Ex	5.0	06979	1450	5.0	400/690	10.4	30	290	498	40	143	not permitted	—

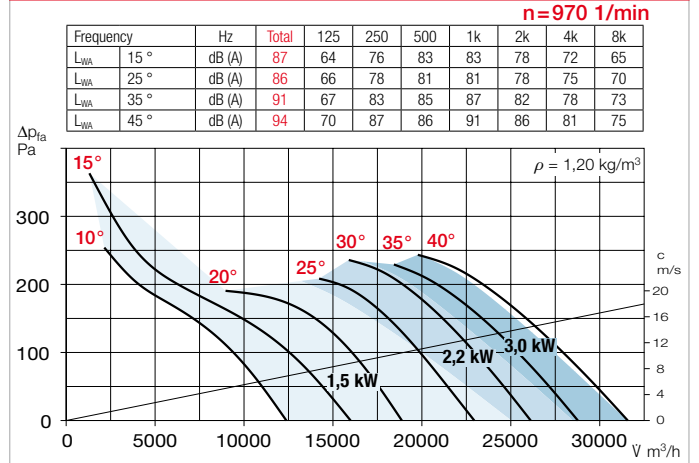
The flow volume and pressure increase information is required to determine the pitch angle.

<sup>1)</sup> Dahlander winding <sup>2)</sup> For the entire pitch angle performance curve, also higher depending on the operating point. <sup>3)</sup> Incl. full motor protection

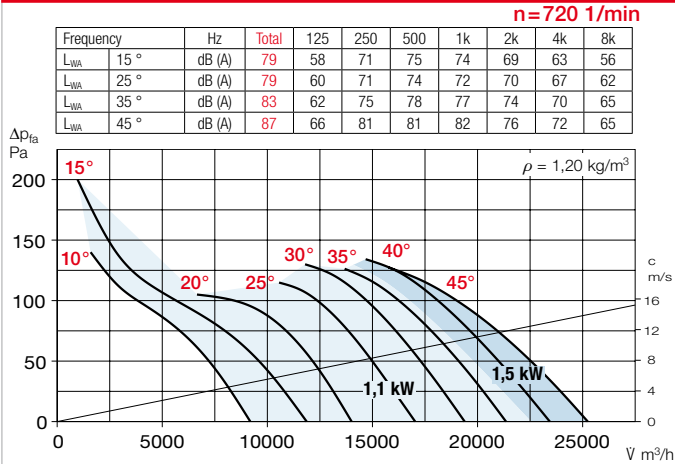
Performance curves AVD 800/4



Performance curves AVD 800/6

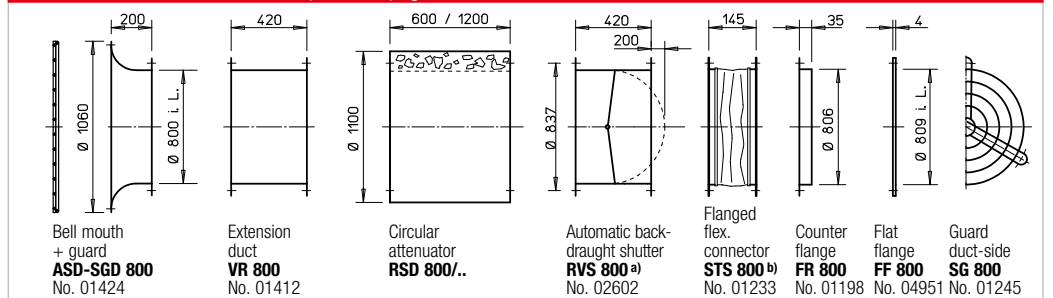


Performance curves AVD 800/8

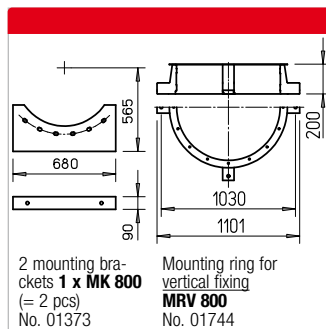


Note for Ex types: Performance curves and sound data at [www.HeliosSelect.de](http://www.HeliosSelect.de).

Accessories for AVD RK Description see page 159 ff.



Anti-vibration mounts			
Pressure		Tensile	
Type	Ref. no.	Type	Ref. no.
SDD 2	01453	SDZ 2	01455
SDD 2	01453	SDZ 2	01455
SDD 2	01453	SDZ 2	01455
SDD 2	01453	SDZ 2	01455
SDD 2	01453	SDZ 2	01455
SDD 2	01453	SDZ 2	01455
SDD 2	01453	SDZ 2	01455
SDD 2	01453	SDZ 2	01455
SDD 2	01453	SDZ 2	01455
SDD 2	01453	SDZ 2	01455
SDD 2	01453	SDZ 2	01455
SDD 2	01453	SDZ 2	01455
SDD 2	01453	SDZ 2	01455
SDD 2	01453	SDZ 2	01455
SDD 2	01453	SDZ 2	01455
SDD 2	01453	SDZ 2	01455
SDD 2	01453	SDZ 2	01455
SDD 2	01453	SDZ 2	01455
SDD 2	01453	SDZ 2	01455
SDD 2	01453	SDZ 2	01455



Information	Page
Techn. description	24 ff.
Project planning information	11 ff.
Special design	
Alternative voltage, protection class, air flow direction, higher air flow temperature and acid protection upon request.	

Other accessories	Page
b) Access. for ex-proof fans	
<b>Flanged flexible connector</b>	
Type STS 800 Ex	No. 02511
Mounting accessories	156 ff.
Attenuators	164
Gas warning systems, switch and control technology	166 ff.
Frequency inverter	176 ff.