

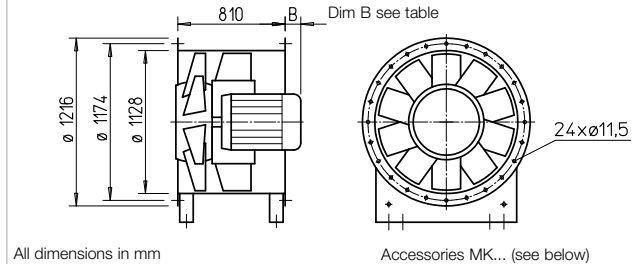
AMD / B AMD 1120



Certification

The smoke ventilation fans B AMD have been tested according to DIN EN 12101-3. Certificate of performance reliability: F300: 0036-CPR-RG05-18 F400: 0036-CPR-RG05-19

Dimensions AMD / B AMD 1120



Description, Installation, Casing, Air flow direction, etc. see page 46.

Impeller

- Hub and blades made from corrosion-resistant aluminium alloy. Ten aerodynamically profiled blades achieve the highest level of efficiency and pressure ratings together with the guide vane.
- Dynamically balanced, quality class 6.3 for low-vibration operation.
- Blades can be steplessly adjusted in the factory.

Motor

- Series AMD: Direct through efficient IE3 standard three phase motor. Pole-switching fans with IEC standard motor. Protection class IP55, insulation class F.

- Series B AMD: Direct through efficient IE3 three phase motor (smoke extraction motors F300 or F400). Pole-switching fans with IEC standard motor. Protection class IP55. Insulation class H. Fire-resistant external cable with sheathing.

Motor protrusion

For some types, the motor protrudes over the casing. Protrusion dimension B in mm must be observed according to the type table.

Motor protection

All types have PTC resistors from the terminal box. This must be bridged in smoke extraction mode for B AMD models.

Electrical connection

- Series AMD: Standard plastic terminal box (protection class IP55), mounted to outside of duct.
- Series B AMD: Standard aluminium die-cast terminal box (protection class IP55), mounted to outside of duct.

Air flow temperatures

- Series AMD: Suitable for supply and extract ventilation from -20 °C to +60 °C continuous temperature. Types for higher air flow temperatures upon request.
- Series B AMD: Like series AMD, but also for smoke extraction according to the temperature classification up to 300 °C/120 min. and 400 °C/120 min.

Double pressure

Mounting package MP-Z for two-stage Z unit

For arrangement of two identical fans in a row, for highest pressure ratings. Scope of delivery: Extension ducts (2 pcs.) and assembly kit. Weight: 85 kg

MP-Z 1120 Ref. no. 04914

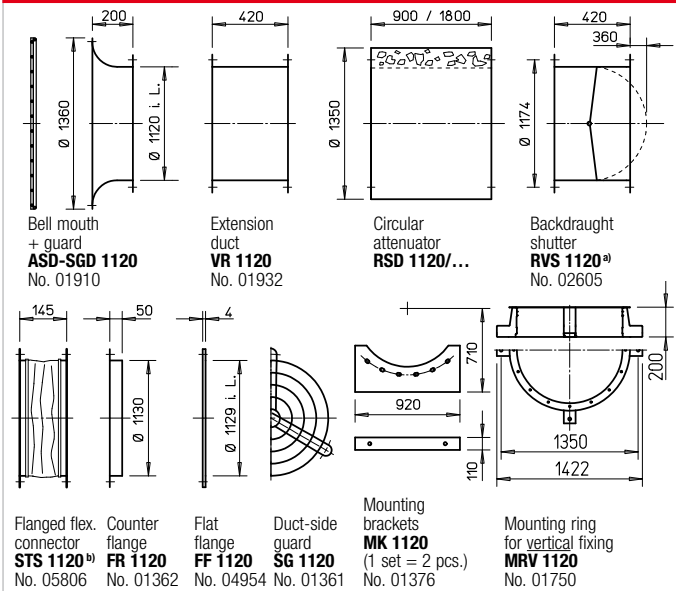
Double volume

Mounting package MP-P for parallel P unit

For arrangement of two identical fans side by side, for highest flow rates. Scope of delivery: Extension ducts, backdraught shutter, mounting rails (2 pcs. each), mounting brackets (4 pcs.) and assembly kits. Weight: 290 kg

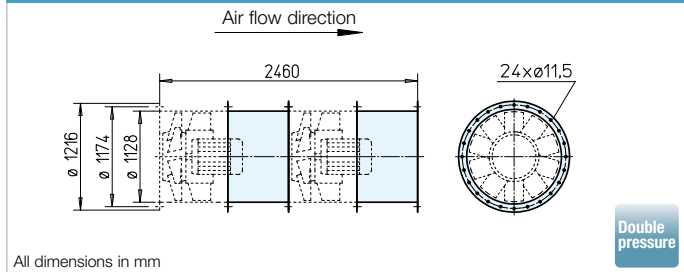
MP-P 1120 Ref. no. 04898

Accessories for AMD / B AMD 1120

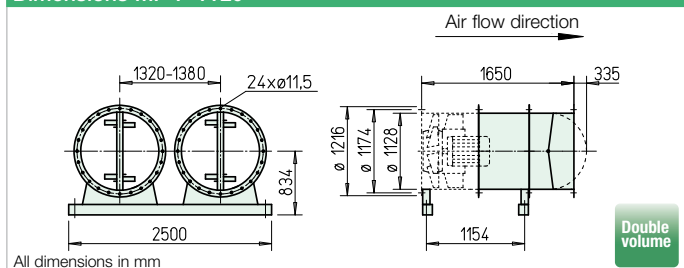


^{a)} Backdraught shutter, motorised, for ventilation, see main Helios catalogue. ^{b)} Type for B AMD: STSB 1120 F400, No. 01922

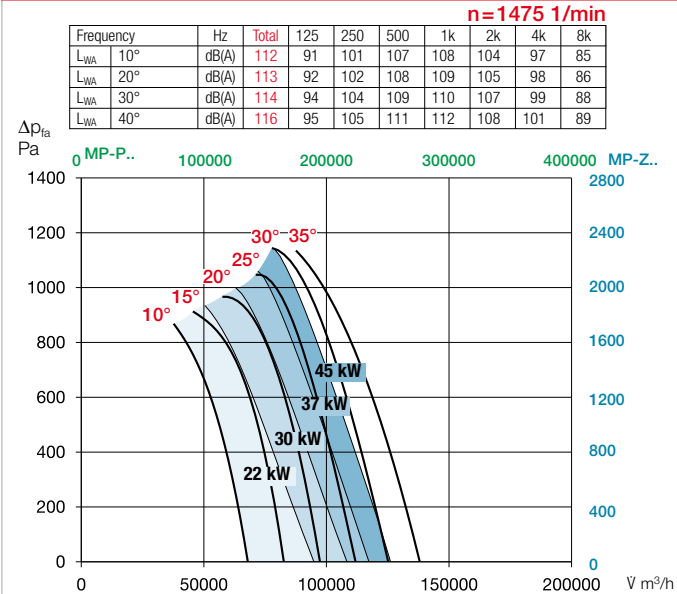
Dimensions MP-Z 1120



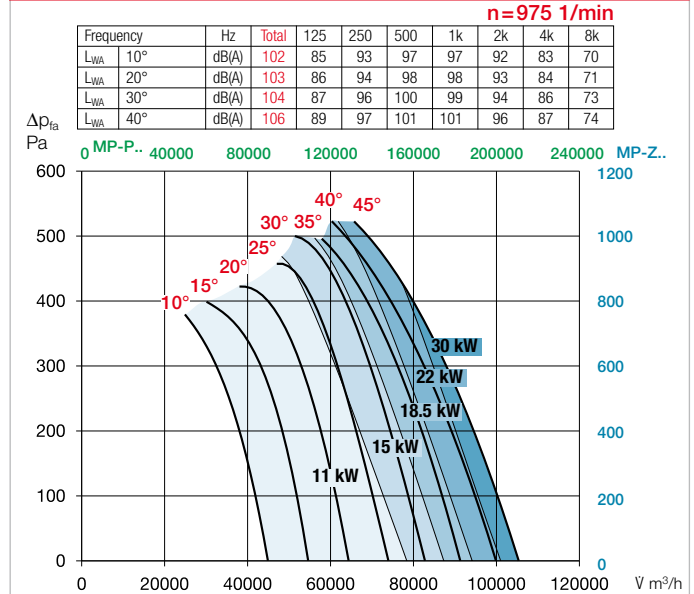
Dimensions MP-P 1120



Performance curves AMD / B AMD 1120/4



Performance curves AMD / B AMD 1120/6



| Information | Page |
|------------------------------|-------|
| Techn. description | 46 |
| Project planning information | 3 ff. |

| Special designs | Page |
|--|------|
| Special design with inspection open. (add. cost) upon request. | |

| Accessory details | Page |
|--|---------|
| Mounting accessories | 151 ff. |
| Attenuators | 156 ff. |
| Gas warning systems, switch and control technology | 158 ff. |
| Frequency inverters | 168 ff. |

| Type | Ref. no. | Speed | Nominal motor power (output) | Nominal voltage | Nominal current | Dim. B motor protrusion | Wiring diagram | max. air flow temp. ¹⁾ | Net weight approx. | Full motor protection or Smoke exhaust fan control system | | Anti-vibration mounts ²⁾ | | | | | | | |
|--|-------------|----------|------------------------------|-------------------|-----------------|-------------------------|----------------|-----------------------------------|--------------------|---|----------|-------------------------------------|----------|---------------------|----------|---|--|--|--|
| | | | | | | | | | | Type | Ref. no. | Type | Ref. no. | Type | Ref. no. | | | | |
| 60° Three phase motor, 400 V, 50 Hz, protection class IP55 | | | | | | | | | | | | Full motor protection | | | | | | | |
| AMD 1120/6 11 kW | 03899 | 975 | 11 | 400 ³⁾ | 21.9 | 25 | 776 | 60 | 400 | MSA | 01289 | SDD 3 | 01367 | SDZ 7 | 01929 | | | | |
| AMD 1120/6 15 kW | 03900 | 975 | 15 | 400 ³⁾ | 28.2 | 100 | 776 | 60 | 430 | MSA | 01289 | SDD 3 | 01367 | SDZ 7 | 01929 | | | | |
| AMD 1120/6 18.5 kW | 03901 | 980 | 18.5 | 400 ³⁾ | 35.9 | 150 | 776 | 60 | 489 | MSA | 01289 | SDD 3 | 01367 | SDZ 7 | 01929 | | | | |
| AMD 1120/6 22 kW | 03902 | 980 | 22 | 400 ³⁾ | 42.4 | 150 | 776 | 60 | 508 | MSA | 01289 | SDD 3 | 01367 | SDZ 8 | 01931 | | | | |
| AMD 1120/6 30 kW | 03903 | 985 | 30 | 400 ³⁾ | 56.0 | 190 | 776 | 60 | 544 | MSA | 01289 | SDD 3 | 01367 | SDZ 8 | 01931 | | | | |
| AMD 1120/4 22 kW | 03953 | 1470 | 22 | 400 ³⁾ | 41.0 | 100 | 776 | 60 | 484 | MSA | 01289 | SDD 3 | 01367 | SDZ 7 | 01929 | | | | |
| AMD 1120/4 30 kW | 03954 | 1480 | 30 | 400 ³⁾ | 57.1 | 150 | 776 | 60 | 535 | MSA | 01289 | SDD 3 | 01367 | SDZ 7 | 01929 | | | | |
| AMD 1120/4 37 kW | 03955 | 1480 | 37 | 400 ³⁾ | 66.8 | 165 | 776 | 60 | 592 | MSA | 01289 | SDD 3 ⁴⁾ | 01367 | SDZ 8 ⁴⁾ | 01931 | | | | |
| AMD 1120/4 45 kW | 03956 | 1475 | 45 | 400 ³⁾ | 80.9 | 190 | 776 | 60 | 614 | MSA | 01289 | SDD 3 ⁴⁾ | 01367 | SDZ 8 ⁴⁾ | 01931 | | | | |
| 60° Pole-switching, 2 speed, three phase motor, Dahlander winding $\gamma/\gamma\gamma$, 400 V, 50 Hz, protection class IP55 | | | | | | | | | | | | | | | | | | | |
| AMD 1120/8/4 4.0/16.0 kW | 03924 | 720/1460 | 4.0/16.0 | 400 | 10.6/30.9 | 60 | 777 | 60 | 405 | — | — | SDD 3 | 01367 | SDZ 7 | 01929 | | | | |
| AMD 1120/8/4 5.0/19.5 kW | 03925 | 720/1470 | 5.0/19.5 | 400 | 12.9/37.2 | 100 | 777 | 60 | 490 | — | — | SDD 3 | 01367 | SDZ 7 | 01929 | | | | |
| AMD 1120/8/4 7.5/29.0 kW | 03926 | 720/1470 | 7.5/29.5 | 400 | 18.9/54.7 | 150 | 777 | 60 | 535 | — | — | SDD 3 | 01367 | SDZ 8 | 01931 | | | | |
| AMD 1120/8/4 9.5/40.0 kW | 03927 | 725/1475 | 9.5/40.0 | 400 | 24.4/72.1 | 190 | 777 | 60 | 590 | — | — | SDD 3 ⁴⁾ | 01367 | SDZ 8 ⁴⁾ | 01931 | | | | |
| F300 F400 Three phase motor, 400 V, 50 Hz, protection class IP55 | | | | | | | | | | | | | | | | | | | |
| F300/F400 | | | | | | | | | | | | F300/F400 | | | | F300/F400 Smoke exhaust fan control system | | | |
| B AMD 1120/6 11 kW | 05921/03818 | 975 | 11 | 400 ³⁾ | 21.9 | 9/15 | 776 | 60/400 | 395/400 | EVS-SD 004 | 04583 | SDD 7 | 01928 | SDZ 7 | 01929 | | | | |
| B AMD 1120/6 15 kW | 05922/03819 | 975 | 15 | 400 ³⁾ | 28.2 | 69/75 | 776 | 60/400 | 440/445 | EVS-SD 005 | 04582 | SDD 7 | 01928 | SDZ 7 | 01929 | | | | |
| B AMD 1120/6 18.5 kW | 05923/03820 | 980 | 18.5 | 400 ³⁾ | 35.9 | 134/140 | 776 | 60/400 | 470/475 | EVS-SD 006 | 04581 | SDD 7 | 01928 | SDZ 7 | 01929 | | | | |
| B AMD 1120/6 22 kW | 05924/03821 | 980 | 22 | 400 ³⁾ | 42.4 | 134/140 | 776 | 60/400 | 480/485 | EVS-SD 007 | 04580 | SDD 8 | 01930 | SDZ 8 | 01931 | | | | |
| B AMD 1120/6 30 kW | 05956/03822 | 985 | 30 | 400 ³⁾ | 56.0 | 223/230 | 776 | 60/400 | 635/640 | EVS-SD 008 | 04579 | SDD 8 | 01930 | SDZ 8 | 01931 | | | | |
| B AMD 1120/4 22 kW | 05986/03619 | 1470 | 22 | 400 ³⁾ | 41.0 | 69/75 | 776 | 60/400 | 455/460 | EVS-SD 007 | 04580 | SDD 7 | 01928 | SDZ 7 | 01929 | | | | |
| B AMD 1120/4 30 kW | 05988/03620 | 1480 | 30 | 400 ³⁾ | 57.1 | 134/140 | 776 | 60/400 | 498/503 | EVS-SD 008 | 04579 | SDD 8 | 01930 | SDZ 8 | 01931 | | | | |
| B AMD 1120/4 37 kW | 05989/03621 | 1480 | 37 | 400 ³⁾ | 66.8 | 223/190 | 776 | 60/400 | 635/640 | EVS-SD 009 | 04578 | SDD 8 ⁴⁾ | 01930 | SDZ 8 ⁴⁾ | 01931 | | | | |
| B AMD 1120/4 45 kW | 05990/03622 | 1475 | 45 | 400 ³⁾ | 80.9 | 223/190 | 776 | 60/400 | 670/675 | EVS-SD 009 | 04578 | SDD 8 ⁴⁾ | 01930 | SDZ 8 ⁴⁾ | 01931 | | | | |
| F300 F400 Pole-switching, 2 speed, three phase motor, Dahlander winding $\gamma/\gamma\gamma$, 400 V, 50 Hz, protection class IP55 | | | | | | | | | | | | | | | | | | | |
| F300/F400 | | | | | | | | | | | | F300/F400 | | | | F300/F400 | | | |
| B AMD 1120/8/4 4.3/17 kW | 06030/03962 | 730/1475 | 4.3/17.0 | 400 | 12.7/33.4 | 31/35 | 777 | 60/400 | 432/437 | EVS-DA 055 | 04196 | SDD 7 | 01928 | SDZ 7 | 01929 | | | | |
| B AMD 1120/8/4 5.0/20 kW | 06031/03963 | 730/1470 | 5.0/20.0 | 400 | 14.1/38.6 | 69/75 | 777 | 60/400 | 447/452 | EVS-DA 004 | 04545 | SDD 7 | 01928 | SDZ 7 | 01929 | | | | |
| B AMD 1120/8/4 6.5/28 kW | 06037/03964 | 735/1480 | 6.5/28.0 | 400 | 18.0/52.0 | 134 | 777 | 60/400 | 505/510 | EVS-DA 056 | 04202 | SDD 8 | 01930 | SDZ 8 | 01931 | | | | |
| B AMD 1120/8/4 9.2/37 kW | 06038/03965 | 740/1485 | 9.2/37.0 | 400 | 25.4/74.2 | 223 | 777 | 60/400 | 630/635 | EVS-DA 057 | 04209 | SDD 8 ⁴⁾ | 01930 | SDZ 8 ⁴⁾ | 01931 | | | | |
| B AMD 1120/8/4 11/44 kW | 06039/03966 | 740/1480 | 11.0/44.0 | 400 | 27.2/84.1 | 223 | 777 | 60/400 | 695/700 | EVS-DA 057 | 04209 | SDD 8 ⁴⁾ | 01930 | SDZ 8 ⁴⁾ | 01931 | | | | |

The flow volume and pressure increase information is required to determine the pitch angle.
²⁾ For Z/P version due to higher total weight Type allocation according to tables on page 157.
⁴⁾ Extension duct VR.. required over the motor protrusion.

¹⁾ For ventilation / smoke extraction (once 120 min.).
³⁾ γ/Δ start-up.