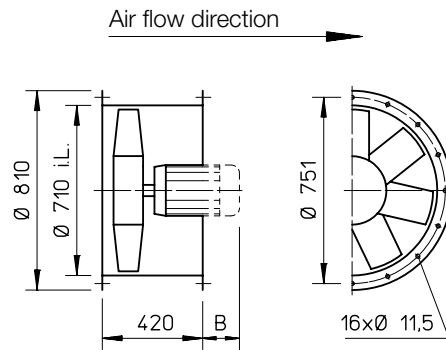


AVD DK 710



Dimensions AVD DK 710



All dimensions in mm

Dim. B see table

- Casing**
 With motor bracket made from galvanised sheet steel.
- Impeller**
 Hub and blades made of corrosion-resistant aluminium alloy. 10 aerodynamically profiled blades in combination with the guide vane achieve maximum efficiency and pressure ratings. Dynamically balanced, quality level 6.3 for low-vibration operation. Blades factory adjustable, see type overview for maximum pitch angle.

 Explosion-proof types: 5 or 7 blades made of plastic, dynamically balanced.
- Motor**
 Directly driven by efficient IE3 three-phase standard motor. Pole-switching fans with IEC standard motor. Protection class IP55, insulation class F. (Explosion-proof types differ)
- Motor protrusion**
 The protrudes dimension B in mm of the motor to the casing must be observed according to the type table.
- Motor protection**
 All types (except pole switching and explosion proof) have PTC resistors and must be protected by the following full motor protection devices: MSA, Ref. no. 01289 All other types must be protected by a conventional circuit breaker on site.

- Electrical connection**
 Terminal box protection class IP55 mounted to casing. Explosion-proof types may vary.
- Speed control**
 Controlled performance curves upon request. All types are speed controllable by frequency inverter (except pole-switching and explosion-proof). The planned use of a frequency inverter without sine filter must be stated when ordering. This requires a change of fan design and possible additional costs.
- Installation**
 Installation in any position. Ensure that the motor drainage holes face downwards.
- Dimensions**
 Pole-switching and explosion-proof types may vary from adjacent information. Motor length may vary. Note protrusion dimension B.
- Noise levels**
 The sound power levels are indicated by means of frequency and as sum levels above the performance curves.

Type	Ref. no.	Speed	Motor power (nom.) (output)	Nominal voltage	Power consumption	Max. pitch angle ²⁾	Dim. B Motor protrusion	Wiring diagram	Max. air flow temp.	Net weight approx.	Frequency inverter ³⁾	Ref. no.
		min ⁻¹	kW	V	A	°	mm	No.	+°C	kg	Type	
60° 3 phase motor, 400 V, 50 Hz, squirrel-cage rotor, protection class IP55												
AVD RK 710/6	1.1	40266	955	400	2.7	29	100	796	60	81	FU-BS 5,0	05460
AVD RK 710/6	1.5	40257	955	400	3.6	37	150	796	60	87	FU-BS 5,0	05460
AVD RK 710/6	2.2	40258	970	400	5.1	45	180	796	60	93	FU-BS 8,0	05461
AVD RK 710/4	2.2	40259	1455	400	4.6	20	150	796	60	87	FU-BS 5,0	05460
AVD RK 710/4	3.0	40260	1440	400	6.0	24	150	776	60	92	FU-BS 8,0	05461
AVD RK 710/4	4.0	40261	1460	400	8.0	30	180	776	60	94	FU-BS 8,0	05461
AVD RK 710/4	5.5	40262	1470	400	10.7	39	200	776	60	117	FU-CS 14	05875
AVD RK 710/2	7.5	40263	2940	400	13.5	12	200	776	60	110	FU-CS 14	05875
AVD RK 710/2	11.0	40267	2950	400	19.6	19	220	776	60	110	FU-CS 22	05470
60° Pole-switching, 2 speed, 3 phase motor, Dahlander winding Y/Y, 400 V, 50 Hz, protection class IP55												
AVD RK 710/8/4 ¹⁾	0.55/2.0	40264	680/1440	400/400	2/4.6	19	100	777	60	79	—	—
AVD RK 710/8/4 ¹⁾	0.9/3.2	06943	680/1420	400/400	3.2/7.2	26	120	777	60	88	—	—
AVD RK 710/8/4 ¹⁾	1.5/6.3	40265	680/1440	400/400	4.6/12.3	45	200	777	60	109	—	—
Ex Explosion-proof Ex e II, 3 phase motor, 400 V, 50 Hz, protection class IP54, temperature class T1-T3												
HRFD 710/8 Ex	0.55	06948	695	400	2.20	35	105	470	40	68.0	not permitted	—
HRFD 710/6 Ex	0.55	06949	945	400	1.60	25	105	470	40	67.0	not permitted	—
HRFD 710/6 Ex	0.95	06950	960	400	2.70	35	155	470	40	77.0	not permitted	—
AVD RK 710/4 Ex	2.0	06951	1435	400	4.90	25	180	470	40	82.0	not permitted	—
AVD RK 710/4 Ex	3.6	06952	1455	400/690	8.30	35	200	498	40	102.0	not permitted	—

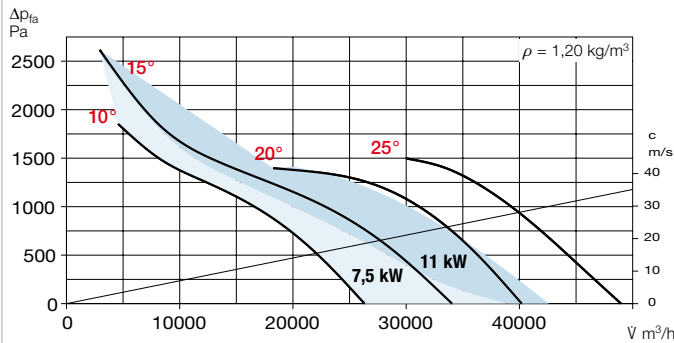
The flow volume and pressure increase information is required to determine the pitch angle.

¹⁾ Dahlander winding ²⁾ For the entire pitch angle performance curve, also higher depending on the operating point. ³⁾ Incl. full motor protection

Performance curves AVD 710/2

n=2950 1/min

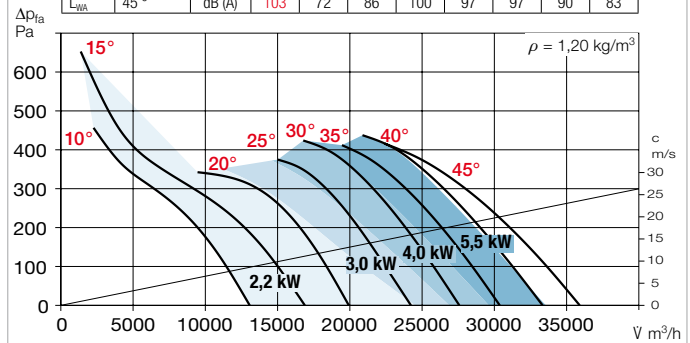
Frequency	Hz	Total	125	250	500	1k	2k	4k	8k
L _{WA} 15 °		dB (A) 113	87	86	100	109	110	105	96
L _{WA} 25 °		dB (A) 113	82	91	102	109	108	103	98
L _{WA} 35 °		dB (A) 117	92	94	104	113	112	108	101



Performance curves AVD 710/4

n=1465 1/min

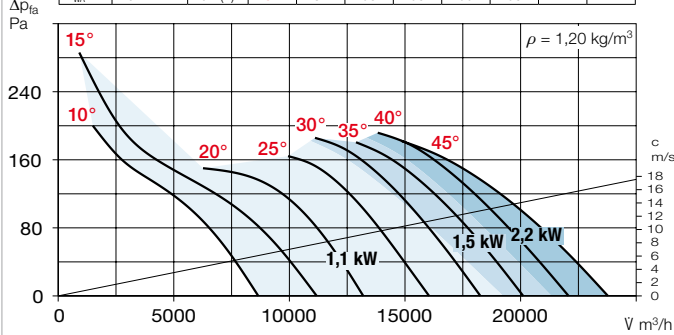
Frequency	Hz	Total	125	250	500	1k	2k	4k	8k
L _{WA} 15 °		dB (A) 95	63	78	89	92	88	82	75
L _{WA} 25 °		dB (A) 95	68	81	90	90	87	83	79
L _{WA} 35 °		dB (A) 99	70	82	94	95	92	87	82
L _{WA} 45 °		dB (A) 103	72	86	100	97	97	90	83



Performance curves AVD 710/6

n=970 1/min

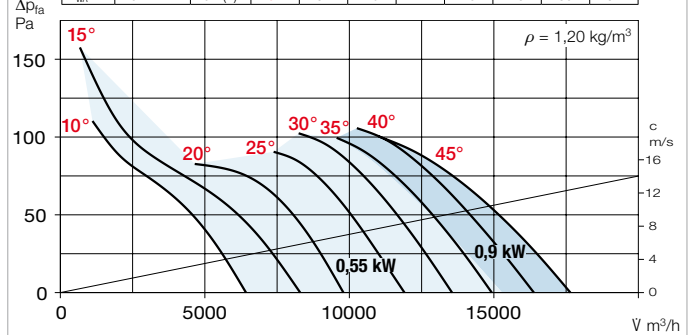
Frequency	Hz	Total	125	250	500	1k	2k	4k	8k
L _{WA} 15 °		dB (A) 84	61	73	80	80	74	69	62
L _{WA} 25 °		dB (A) 83	63	75	78	78	75	72	67
L _{WA} 35 °		dB (A) 88	64	80	81	83	79	75	70
L _{WA} 45 °		dB (A) 91	67	83	83	88	83	77	71



Performance curves AVD 710/8

n=720 1/min

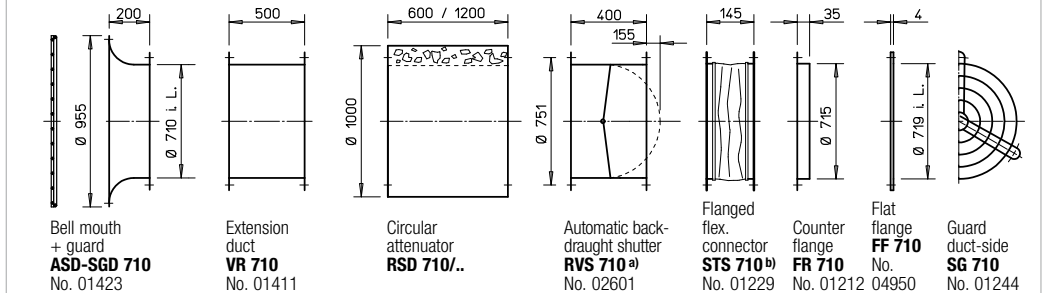
Frequency	Hz	Total	125	250	500	1k	2k	4k	8k
L _{WA} 15 °		dB (A) 76	55	67	72	70	65	60	53
L _{WA} 25 °		dB (A) 75	57	68	70	69	67	64	59
L _{WA} 35 °		dB (A) 80	59	72	75	74	70	67	61
L _{WA} 45 °		dB (A) 84	62	78	77	79	73	69	62



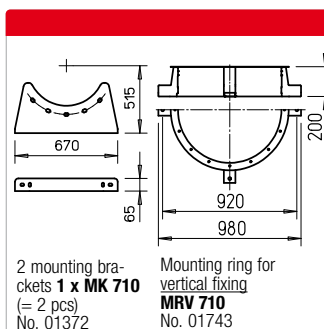
Note for Ex types: Performance curves and sound data at www.HeliosSelect.de.

Accessories for HRF/AVD RK Description see page 163 ff.

Anti-vibration mounts			
Pressure		Tensile	
Type	Ref. no.	Type	Ref. no.
SDD 2	01453	SDZ 2	01455
SDD 2	01453	SDZ 2	01455
SDD 2	01453	SDZ 2	01455
SDD 2	01453	SDZ 2	01455
SDD 2	01453	SDZ 2	01455
SDD 2	01453	SDZ 2	01455
SDD 2	01453	SDZ 2	01455
SDD 2	01453	SDZ 2	01455
SDD 2	01453	SDZ 2	01455
SDD 2	01453	SDZ 2	01455
SDD 2	01453	SDZ 2	01455
SDD 2	01453	SDZ 2	01455
SDD 2	01453	SDZ 2	01455
SDD 2	01453	SDZ 2	01455
SDD 1	01452	SDZ 2	01455
SDD 1	01452	SDZ 2	01455
SDD 1	01452	SDZ 2	01455
SDD 1	01452	SDZ 2	01455
SDD 1	01452	SDZ 2	01455



a) Motor-operated back-draught shutter see main Helios catalogue b) Types for explosion-proof fans see below



Information	Page
Techn. description	24 ff.
Project planning information	11 ff.
Special design	
Alternative voltage, protection class, air flow direction, higher air flow temperature and acid protection upon request.	

Other accessories	Page
b) Access. for ex-proof fans	
Flanged flexible connector Type STS 710 Ex	No. 02510
Mounting accessories	160 ff.
Attenuators	168
Gas warning systems, switch and control technology	170 ff.
Frequency inverter	180 ff.