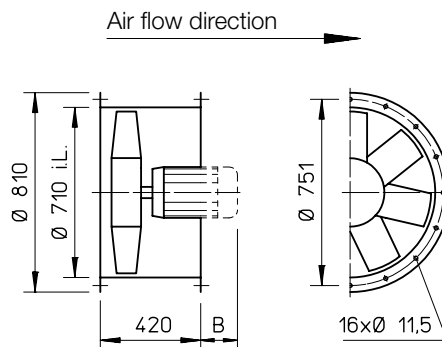


AVD DK 710



Dimensions AVD DK 710



All dimensions in mm

Dim. B see table

- Casing**  
 With motor bracket made from galvanised sheet steel.
- Impeller**  
 Hub and blades made of corrosion-resistant aluminium alloy. 10 aerodynamically profiled blades in combination with the guide vane achieve maximum efficiency and pressure ratings. Dynamically balanced, quality level 6.3 for low-vibration operation. Blades factory adjustable, see type overview for maximum pitch angle.  
  
 Explosion-proof types: 5 or 7 blades made of plastic, dynamically balanced.
- Motor**  
 Directly driven by efficient IE3 three-phase standard motor. Pole-switching fans with IEC standard motor. Protection class IP55, insulation class F. (Explosion-proof types differ)
- Motor protrusion**  
 The protrudes dimension B in mm of the motor to the casing must be observed according to the type table.
- Motor protection**  
 All types (except pole switching and explosion proof) have PTC resistors and must be protected by the following full motor protection devices:  
 MSA, Ref. no. 01289  
 All other types must be protected by a conventional circuit breaker on site.

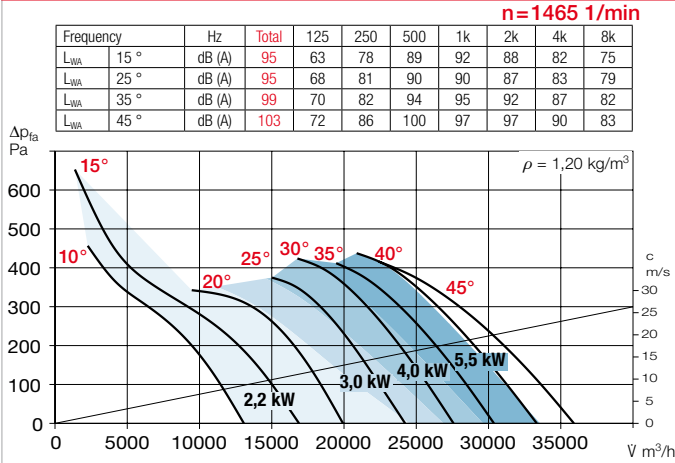
- Electrical connection**  
 Terminal box protection class IP55 mounted to casing. Explosion-proof types may vary.
- Speed control**  
 Controlled performance curves upon request. All types are speed controllable by frequency inverter (except pole-switching and explosion-proof). The planned use of a frequency inverter without sine filter must be stated when ordering. This requires a change of fan design and possible additional costs.
- Installation**  
 Installation in any position. Ensure that the motor drainage holes face downwards.
- Dimensions**  
 Pole-switching and explosion-proof types may vary from adjacent information. Motor length may vary. Note protrusion dimension B.
- Noise levels**  
 The sound power levels are indicated by means of frequency and as sum levels above the performance curves.

Type	Ref. no.	Speed min <sup>-1</sup>	Motor power (nom.) (output) kW	Nominal voltage V	Power consumption A	Max. pitch angle <sup>2)</sup> °	Dim. B Motor protrusion mm	Wiring diagram No.	Max. air flow temp. +°C	Net weight approx. kg	Frequency inverter <sup>3)</sup> Type	Ref. no.	
<b>60° 3 phase motor, 400 V, 50 Hz, squirrel-cage rotor, protection class IP55</b>													
AVD RK 710/6	1.1	40266	955	1.1	400	2.7	29	100	776	60	81	FU-BS 5.0	05460
AVD RK 710/6	1.5	40257	955	1.5	400	3.6	37	150	776	60	87	FU-BS 5.0	05460
AVD RK 710/6	2.2	40258	970	2.2	400	5.1	45	180	776	60	93	FU-BS 8.0	05461
AVD RK 710/4	2.2	40259	1455	2.2	400	4.6	20	150	776	60	87	FU-BS 5.0	05460
AVD RK 710/4	3.0	40260	1440	3.0	400	6.0	24	150	776	60	92	FU-BS 8.0	05461
AVD RK 710/4	4.0	40261	1460	4.0	400	8.0	30	180	776	60	94	FU-BS 8.0	05461
AVD RK 710/4	5.5	40262	1470	5.5	400	10.7	39	200	776	60	117	FU-CS 14	05875
<b>60° Pole-switching, 2 speed, 3 phase motor, Dahlander winding Y/Y, 400 V, 50 Hz, protection class IP55</b>													
AVD RK 710/8/4 <sup>1)</sup>	0.55/2.0	40264	680/1440	0.55/2	400/400	2/4.6	19	100	777	60	79	—	—
AVD RK 710/8/4 <sup>1)</sup>	0.9/3.2	06943	680/1420	0.9/3.2	400/400	3.2/7.2	26	120	777	60	88	—	—
AVD RK 710/8/4 <sup>1)</sup>	1.5/6.3	40265	680/1440	1.5/6.3	400/400	4.6/12.3	45	200	777	60	109	—	—
<b>Ex Explosion-proof Ex e II, 3 phase motor, 400 V, 50 Hz, protection class IP54, temperature class T1-T3</b>													
HRFD 710/8 Ex	0.55	06948	695	0.55	400	2.20	35	105	470	40	68.0	not permitted	—
HRFD 710/6 Ex	0.55	06949	945	0.55	400	1.60	25	105	470	40	67.0	not permitted	—
HRFD 710/6 Ex	0.95	06950	960	0.95	400	2.70	35	155	470	40	77.0	not permitted	—
AVD RK 710/4 Ex	2.0	06951	1435	2.20	400	4.90	25	180	470	40	82.0	not permitted	—
AVD RK 710/4 Ex	3.6	06952	1455	4.00	400/690	8.30	35	200	498	40	102.0	not permitted	—

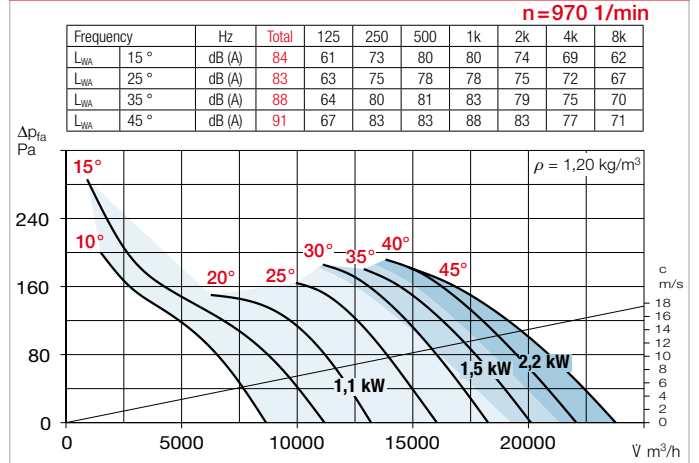
The flow volume and pressure increase information is required to determine the pitch angle.

<sup>1)</sup> Dahlander winding <sup>2)</sup> For the entire pitch angle performance curve, also higher depending on the operating point. <sup>3)</sup> Incl. full motor protection

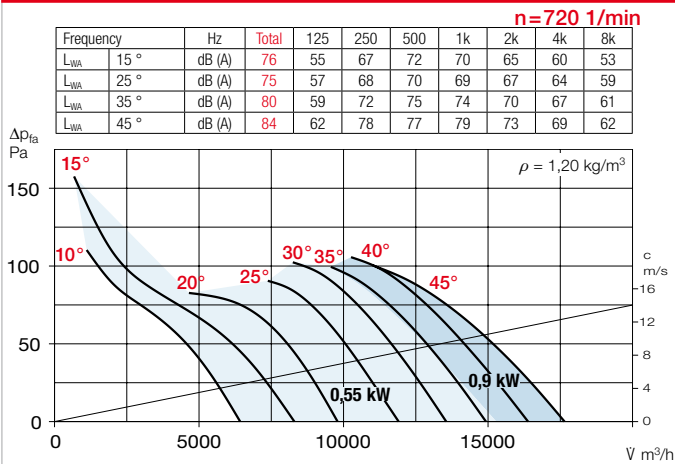
Performance curves AVD 710/4



Performance curves AVD 710/6



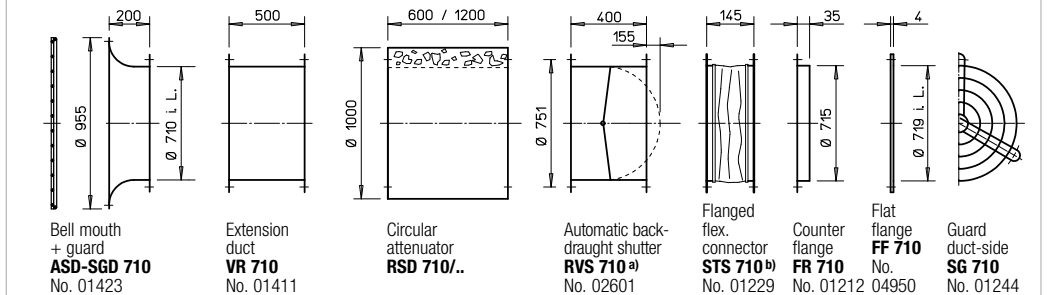
Performance curves AVD 710/8



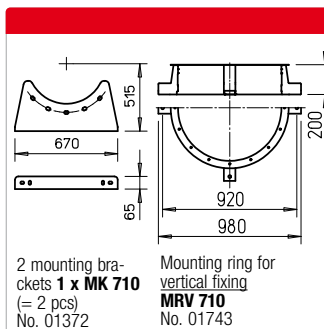
Note for Ex types: Performance curves and sound data at [www.HeliosSelect.de](http://www.HeliosSelect.de).

Accessories for HRF/AVD RK Description see page 161 ff.

Anti-vibration mounts			
Pressure		Tensile	
Type	Ref. no.	Type	Ref. no.
SDD 2	01453	SDZ 2	01455
SDD 2	01453	SDZ 2	01455
SDD 2	01453	SDZ 2	01455
SDD 2	01453	SDZ 2	01455
SDD 2	01453	SDZ 2	01455
SDD 2	01453	SDZ 2	01455
SDD 2	01453	SDZ 2	01455
SDD 2	01453	SDZ 2	01455
SDD 2	01453	SDZ 2	01455
SDD 2	01453	SDZ 2	01455
SDD 1	01452	SDZ 2	01455
SDD 1	01452	SDZ 2	01455
SDD 1	01452	SDZ 2	01455
SDD 1	01452	SDZ 2	01455
SDD 1	01452	SDZ 2	01455



a) Motor-operated back-draught shutter see main Helios catalogue    b) Types for explosion-proof fans see below



Information	Page
Techn. description	26 ff.
Project planning information	13 ff.
Special design	
Alternative voltage, protection class, air flow direction, higher air flow temperature and acid protection upon request.	

Other accessories	Page
b) Access. for ex-proof fans	
<b>Flanged flexible connector</b>	
Type STS 710 Ex	No. 02510
Mounting accessories	158 ff.
Attenuators	166
Gas warning systems, switch and control technology	168 ff.
Frequency inverter	178 ff.