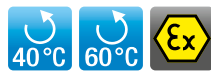
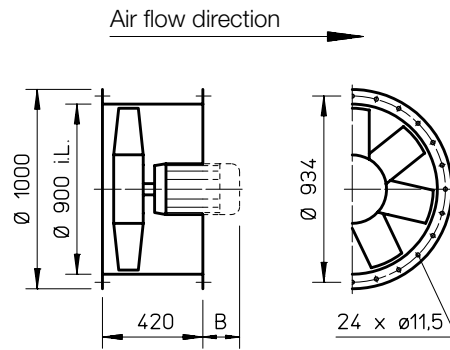


AVD DK 900



Dimensions AVD DK 900



All dimensions in mm

Dim. B see table

■ **Casing**  
 With motor bracket made from galvanised sheet steel.

■ **Impeller**  
 Hub and blades made of corrosion-resistant aluminium alloy. 10 aerodynamically profiled blades in combination with the guide vane achieve maximum efficiency and pressure ratings. Dynamically balanced, quality level 6.3 for low-vibration operation. Blades factory adjustable, see type overview for maximum pitch angle. Explosion-proof types: 5 or 7 blades made of plastic, dynamically balanced.

■ **Motor**  
 Directly driven by efficient IE3

three-phase standard motor. Pole-switching fans with IEC standard motor. Protection class IP55, insulation class F. (Explosion-proof types differ)

■ **Motor protrusion**  
 The protrudes dimension B in mm of the motor to the casing must be observed according to the type table.

■ **Motor protection**  
 All types (except pole switching and explosion proof) have PTC resistors and must be protected by the following full motor protection devices:  
 MSA, Ref. no. 01289  
 All other types must be protected by a conventional circuit

breaker on site.

■ **Electrical connection**  
 Terminal box protection class IP55 mounted to casing

■ **Speed control**  
 Controlled performance curves upon request. All types are speed controllable by frequency inverter (except pole-switching and explosion-proof). The planned use of a frequency inverter without sine filter must be stated when ordering. This requires a change of fan design and possible additional costs.

■ **Installation**  
 Installation in any position. Ensure

re that the motor drainage holes face downwards.

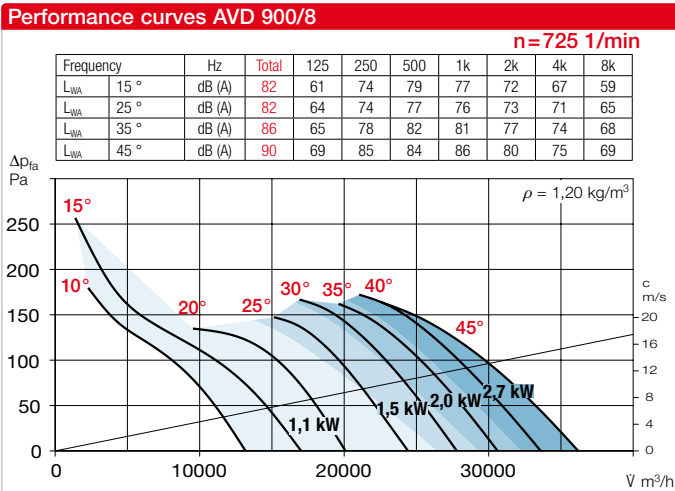
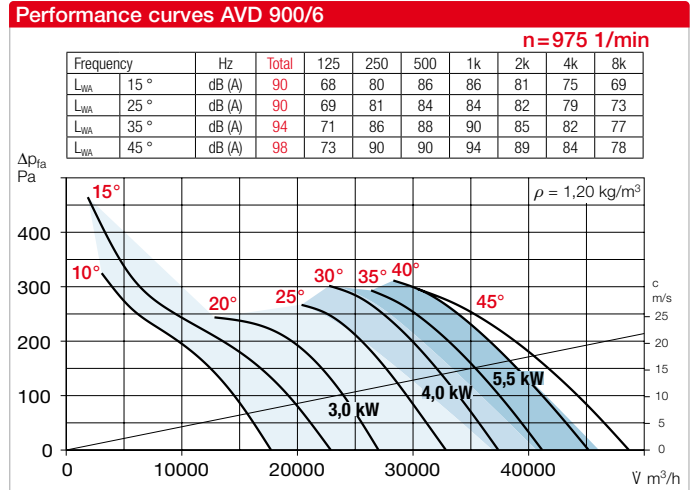
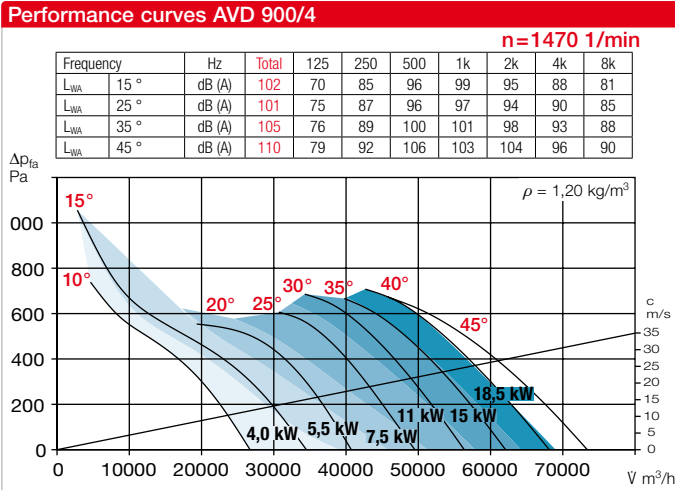
■ **Dimensions**  
 Pole-switching and explosion-proof types may vary from adjacent information. Motor length may vary. Note protrusion dimension B.

■ **Noise levels**  
 The sound power levels are indicated by means of frequency and as sum levels above the performance curves.

Type	Ref. no.	Speed min <sup>-1</sup>	Motor power (nom.) (output) kW	Nominal voltage V	Power consumption A	Max. pitch angle <sup>2)</sup> °	Dim. B Motor protrusion mm	Wiring diagram No.	Max. air flow temp. +°C	Net weight approx. kg	Frequency inverter <sup>3)</sup> Type	Ref. no.	
<b>60° 3 phase motor, 400 V, 50 Hz, squirrel-cage rotor, protection class IP55</b>													
AVD RK 900/6	3.0	06985	970	3.0	400	6.9	24	320	776	60	140	FU-BS 8.0	05461
AVD RK 900/6	4.0	40280	970	4.0	400	9.0	31	340	776	60	145	FU-BS 10	05462
AVD RK 900/6	5.5	40281	970	5.5	400	12.0	40	340	776	60	155	FU-CS 14	05875
AVD RK 900/4	4.0	06986	1460	4.0	400	8.0	13	300	776	60	116	FU-BS 8.0	05461
AVD RK 900/4	5.5	40282	1470	5.5	400	10.7	17	300	776	60	138	FU-CS 14	05875
AVD RK 900/4	7.5	06987	1470	7.5	400	14.3	21	350	776	60	150	FU-BS 16	05463
AVD RK 900/4	11.0	06988	1450	11.0	400	20.7	27	400	776	60	228	FU-CS 22	05470
AVD RK 900/4	15.0	40283	1450	15.0	400	27.4	35	440	776	60	258	FU-CS 32	05471
AVD RK 900/4	18.5	40284	1460	18.5	400	33.6	40	480	776	60	260	FU-CS 40	05472
<b>60° Pole-switching, 2 speed, 3 phase motor, Dahlander winding Y/YY, 400 V, 50 Hz, protection class IP55</b>													
AVD RK 900/8/4 <sup>1)</sup>	1.1/4.5	06995	680/1435	1.1/4.5	400/400	3.6/9.4	15	280	777	60	125	—	—
AVD RK 900/8/4 <sup>1)</sup>	1.5/6.3	06996	680/1440	1.5/6.3	400/400	4.6/12.3	20	320	777	60	131	—	—
AVD RK 900/8/4 <sup>1)</sup>	2.0/8.9	40285	730/1460	2.0/8.9	400/400	7/18	23	430	777	60	180	—	—
AVD RK 900/8/4 <sup>1)</sup>	2.7/12	40308	700/1460	2.7/12	400/400	7.09/24	29	430	777	60	190	—	—
<b>Ex Ex Explosion-proof Ex e II, 3 phase motor, 50 Hz, protection class IP54, temperature class T1-T3</b>													
AVD RK 900/8 Ex	0.95	06899	700	0.95	400	2.8	27	180	470	40	110	not permitted	—
AVD RK 900/8 Ex	1.3	06900	725	1.30	400	3.9	34	210	470	40	130	not permitted	—
AVD RK 900/6 Ex	1.9	06901	965	1.90	400	5.1	25	240	470	40	150	not permitted	—
AVD RK 900/6 Ex	3.5	06902	960	3.50	400/690	7.4	35	290	498	40	160	not permitted	—
AVD RK 900/4 Ex	6.8	06903	1460	6.80	400/690	13.4	25	325	498	40	175	not permitted	—
AVD RK 900/4 Ex	10.0	06904	1465	10.00	400/690	19.8	32	385	498	40	235	not permitted	—

The flow volume and pressure increase information is required to determine the pitch angle.

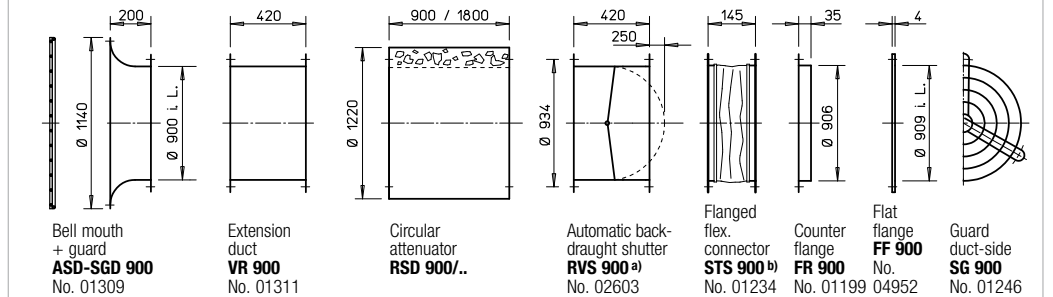
<sup>1)</sup> Dahlander winding <sup>2)</sup> For the entire pitch angle performance curve, also higher depending on the operating point. <sup>3)</sup> Incl. full motor protection



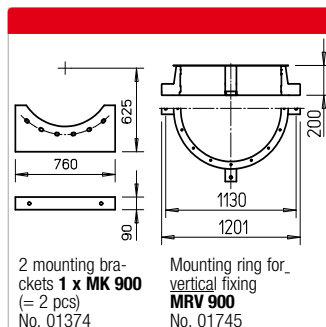
Note for Ex types: Performance curves and sound data at [www.HeliosSelect.de](http://www.HeliosSelect.de).

Anti-vibration mounts			
Pressure		Tensile	
Type	Ref. no.	Type	Ref. no.
SDD 2	01453	SDZ 2	01455
SDD 2	01453	SDZ 2	01455
SDD 2	01453	SDZ 2	01455
SDD 2	01453	SDZ 2	01455
SDD 2	01453	SDZ 2	01455
SDD 2	01453	SDZ 2	01455
SDD 2	01453	SDZ 2	01455
SDD 3	01367	SDZ 3	01366
SDD 3	01367	SDZ 3	01366
SDD 3	01367	SDZ 3	01366
SDD 2	01453	SDZ 2	01455
SDD 2	01453	SDZ 2	01455
SDD 3	01367	SDZ 3	01366
SDD 3	01367	SDZ 3	01366
SDD 2	01453	SDZ 2	01455
SDD 2	01453	SDZ 2	01455
SDD 2	01453	SDZ 2	01455
SDD 2	01453	SDZ 2	01455
SDD 2	01453	SDZ 3	01366
SDD 3	01367	SDZ 3	01366

**Accessories for AVD RK** Description see page 161 ff.



a) Motor-operated back-draught shutter see main Helios catalogue    b) Types for explosion-proof fans see below



Information	Page
Techn. description	26 ff.
Project planning information	13 ff.
Special design	
Alternative voltage, protection class, air flow direction, higher air flow temperature and acid protection upon request.	

Other accessories	Page
b) Access. for ex-proof fans	
<b>Flanged flexible connector</b>	
Type STS 900 Ex	No. 02512
Mounting accessories	158 ff.
Attenuators	166
Gas warning systems, switch and control technology	168 ff.
Frequency inverter	178 ff.